

RAB LIGHTING

WPLED20



JOB NAME: _____
 DATE: _____
 TYPE: _____

DESCRIPTION

LED 20 Watt Wallpacks

SPECIFICATIONS

Color Uniformity:

RAB's range of CCT (Correlated color temperature) follows the guidelines of the American National Standard for Specifications for the Chromaticity of Solid State Lighting (SSL) Products, ANSI C136.1-2008. Chip and fade resistant polyester powder coat finish.

Ambient Temperature:

Suitable for use in 40C (104F) ambient temperatures

Cold Weather Starting:

The minimum starting temperature is -30°C

Color Accuracy:

70 CRI

Dark Sky Approved:

The International Dark Sky Association has approved this product as a full cutoff, fully shielded luminaire.

Driver:

Automatic Voltage Sensing Driver for 120 – 277 volts

Fixture Efficacy:

64 Lumens per Watt

For use on LEED Buildings:

IDA Dark Sky Approval means that this fixture can be used to achieve LEED Credits for Light Pollution Reduction.

Gaskets:

High Temperature Silicone

Green Technology:

RAB LEDs are Mercury and UV free.

Heatsink:

Integral cast aluminum mounting pad and external fins for optimal heat sinking to ensure cool operation with maximum LED life and light output.

Housing:

Precision die cast aluminum housing, lens frame and mounting plate.

IESNA LM-79 & IESNA LM-80 Testing:

RAB LED luminaires have been tested by an independent laboratory in accordance with IESNA LM-79 and 80, and have received the Department of Energy "Lighting Facts" label.

LED Light Engine:

Two Multi-chip 10W high output long life LED Driver: Constant Current, Class 2

Light Color:

5584 K (Daylight)

Patents:

The LPACK design is protected under patents pending in the U.S., Canada, China, Taiwan and Mexico.

Total Harmonic Distortion:

THD = 8.4%

Two Mounting Options:

Junction Box with 5 Conduit Entry Points and Threaded Plugs for surface mounting plus Cover Plate for mounting over 4" recessed junction box included with WPLED20

UL Listing:

Suitable for wet locations. Suitable for mounting within 4' of the ground.

Warranty:

RAB LED fixtures give you peace of mind because both the fixture and light engine components are backed by RAB's 5 Year Warranty. For more information,

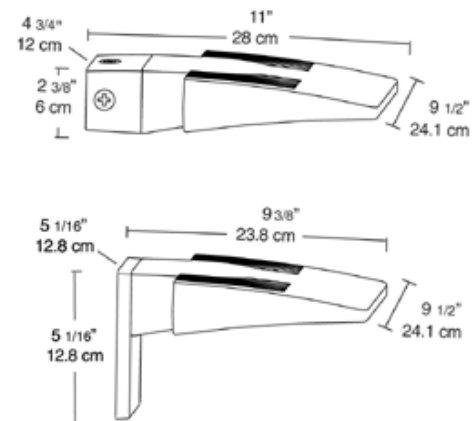
Color:

Bronze

Weight:

6.1

DIMENSIONS



ORDERING INFORMATION

LED Lamp supplied with fixture	Total Watts	Lamp Type	Lamp Base	Ballast	Starting Amps/ Operating Amps				Input Watts	LAMP ANSI	Initial Lumens	Lamp Hours
					120V	208V	240V	277V				
	20	L.E.D.	Thermal	Constant Current	0.5	0.5	0.5	0.125	22	N/A	1401	50000
Factory Installed Options Add suffix to Catalog Number				Photocontrol for 277V (P2)								
				Photocontrol for 120V (/PC)								

Note: Specifications may change without notice

RAB Lighting, Inc. • 170 Ludlow Ave • Northvale, NJ 07647 • Tel: 888 RAB-1000 • Fax: 888 RAB-1232 • www.rabweb.com
 © 2010 RAB Lighting, Inc.