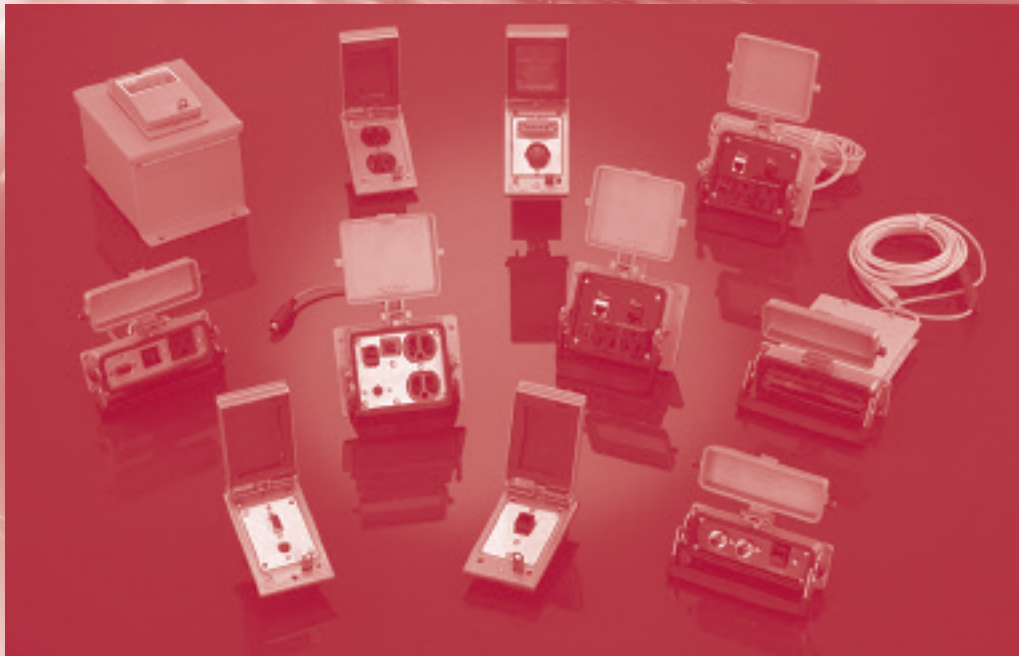


**McNAUGHTON-McKAY**  
ELECTRIC COMPANY  
*YOUR ELECTRICAL*  
**CONNECTION**

# CONVENIENCE PRODUCT CATALOG



**A** convenience panel provides easy connectivity to equipment inside industrial control enclosures ... without hazardous exposure to dangerous voltages inside.

Convenience Panels from McNaughton-McKay Electric Company offer unsurpassed protection of both the personnel and equipment. Our convenience panels:

- Safeguard personnel from flash hazards
- Keep out oil, dust and other contaminants
- Keep air conditioned panels cool
- Protect equipment and contacts from humidity
- Maintain cool temperature inside air conditioned enclosures

## The Leader

For over fifteen years McNaughton-McKay Electric has offered a wide variety of convenience panels to provide safe and reliable access to Programmable Controllers, Personal Computers, Motion Controllers, Drives and other Intelligent Electronics inside an electrical enclosure. Our customer driven staff is always ready to help you incorporate new technology and develop custom designs.

## Convenience

A convenience panel is only convenient when it is a barrier to hazards without presenting a barrier to productivity.

### *Easy to Install*

All McNaughton-McKay convenience panels are completely wired and terminated. All mounting hardware is included. Cut out templates are also available on-line in convenient AutoCAD format.

### *Simple to Integrate*

McNaughton-McKay can incorporate your logo, part number or custom design attributes as part of any convenience panel



### *Safe*

All McNaughton-McKay convenience panels meet or exceed applicable industry safety standards. We utilize the latest in data connection hardware. Many of our panels are lockable to limit user access.

## Complete Line

Gain the advantages of customization without the cost. McNaughton-McKay boasts the most comprehensive line of convenience panel products in the industry with thousands of combinations available. Our designs incorporate features from simple duplex power outlets to complex redundant network electronics.

**If you can't find what you are looking for let us design and build custom units to your exact specifications.**

## Delivery

Most popular models are available in stock. Other non-standard units are usually available within 24-48 hours.

## Quality

McNaughton-McKay Electric Company offers the highest quality convenience panels in the industry. With content in nearly every North American automotive manufacturing facility, you can rest assured that our products are robust. Each and every unit is thoroughly tested at the factory.

McNaughton-McKay Electric Company  
*Your Electrical Connection*

McNaughton-McKay Electric's convenience panels provide safe, instant access to industrial controls, unrivaled protection of personnel and equipment, and are competitively priced. You'll appreciate our attention to detail, our product quality and our complete line - readily available for simple and easy installation.

# McNaughton-McKay Convenience Panels

## UL Recognized



### NEMA 12 - Select a CP style

Indoor use primarily to provide a degree of protection against dust, falling dirt, and dripping noncorrosive liquids.

### NEMA 4 - Select a CN style

Indoor or outdoor use primarily to provide a degree of protection against windblown dust and rain, splashing water, and hose directed water; undamaged by the formation of ice.

Customize any style of Convenience Panel (available)

Finger-safe Protection for Duplex Receptacles (optional)

## NON STANDARD PRODUCTS AVAILABLE

NEMA 4X Stainless Steel



1.44MB 3.5" diskette drive  
USB with cable  
NEMA 4/12



CD-RW  
USB with cable  
NEMA 4/12



Convenience Panel  
in a BOX

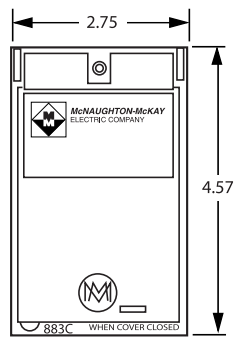


**Please call your local McNaughton-McKay branch to discuss non-standard or custom Convenience Panels**



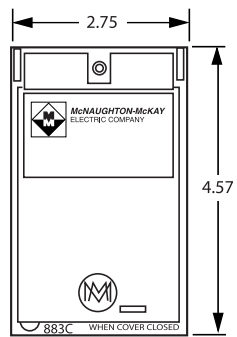
Customer Logo can be added to any Convenience Panel

## One (1) Position Convenience Panel NEMA 12 RATED



Part #	DESCRIPTION
MCMCCP-15F	15 pin D-Sub female extender with 10' cable
MCMCCP-15FT	15 pin D-Sub female to terminals
MCMCCP-15M	15 pin D-Sub male extender with 10' cable
MCMCCP-15MT	15 pin D-Sub male to terminals
MCMCCP-25F	25 pin D-Sub female extender with 10' cable
MCMCCP-25FT	25 pin D-Sub female to terminals
MCMCCP-25M	25 pin D-Sub male extender with 10' cable
MCMCCP-25MT	25 pin D-Sub male to terminals
MCMCCP-62F	62 pin D-Sub female extender with 10' cable
MCMCCP-9F	9 pin D-Sub female extender with 10' cable
MCMCCP-9FT	9 pin D-Sub female to terminals
MCMCCP-9M	9 pin D-Sub male extender with 10' cable
MCMCCP-9M/9FT	9 pin D-Sub (1) male & (1) female to terminals
MCMCCP-9MT	9 pin D-Sub male to terminals
MCMCCP-BLNK	CP type cover with blank aluminum insert
MCMCCP-BNC	Bulkhead Ethernet 10B2 (COAX/BNC) with 10' BNC cable
MCMCCP-CNA	ControlNet Active Node Access Port <b>Please call before ordering</b>
MCMCCP-CNP	ControlNet Passive Access Port extender with 10' cable
MCMCCP-CNP/ETH	ControlNet Passive Access Port extender with 10' cable & Ethernet 10/100BASE T (CAT5/RJ45) connector with 10' cable
MCMCCP-DH+	8 pin mini-DIN female & 9 pin D-Sub female to terminals
MCMCCP-DN	DeviceNet 5 pin mini-DIN & 5 pin Phoenix to terminals
MCMCCP-DP	Duplex receptacle no breaker
MCMCCP-DP3	Duplex receptacle with 3 AMP breaker
MCMCCP-DP5	Duplex receptacle with 5 AMP breaker
MCMCCP-ETH	One (1) Ethernet 10/100BASE T (CAT5/RJ45) connector with 10' cable
MCMCCP-ETH/ETH	Two (2) Ethernet 10/100BASE T (CAT5/RJ45) connectors with two (2) 10' cable

## One (1) Position Convenience Panel NEMA 12 RATED

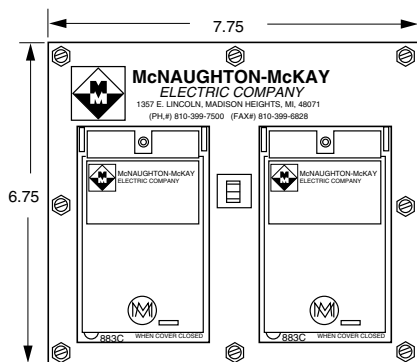


Part #	DESCRIPTION
MCMCCP-GF	GFCI receptacle
MCMCCP-GF3	GFCI receptacle with 3 AMP breaker
MCMCCP-GF5	GFCI receptacle with 5 AMP breaker
MCMCCP-H15F	15 pin D-Sub female High Density (VGA Port) with 10' cable
MCMCCP-HSEAL	Sealing plate to cover CP type cutout with gasket
MCMCCP-IEC	IEC320 receptacle (Computer Power Style)
MCMCCP-IG	Isolated ground receptacle
MCMCCP-IG3	Isolated ground receptacle with 3 AMP breaker
MCMCCP-IG5	Isolated ground receptacle with 5 AMP breaker
MCMCCP-ML	MicroLogix 8 pin mini-DIN female extender with 6' cable
MCMCCP-P2	PLC2 port with 15 pin D-Sub female extender with 10' cable
MCMCCP-P3	PLC3 port with 25 pin D-Sub female extender with 10' cable
MCMCCP-P59	PLC5 Data Highway+ port 9 pin D-Sub female extender with 10' cable
MCMCCP-P59T/DS	PLC5 Data Highway+ port 9 pin D-Sub female to terminals & Ethernet 10BASE2 (COAX/BNC) daisy switch <i>(Limited quantity available)</i>
MCMCCP-P59T/ETH	PLC5 Data Highway+ port 9 pin D-Sub female to terminals & Ethernet 10/100BT (CAT5/RJ45) with 10' cable
MCMCCP-P5D	Enhanced PLC5 or SLC 5/04 port with 8 pin mini-DIN female with 10' cable
MCMCCP-PHX	3 pin Phoenix for Data Highway+ or Remote I/O to terminals
MCMCCP-PRF	PROFIBUS communications
MCMCCP-PS2	One (1) PS/2 port (mouse or keyboard) extender with 10' cable
MCMCCP-PS2/PS2	Two (2) PS/2 port (mouse or keyboard) extender with two (2) 10' cable
MCMCCP-RJ11	RJ11 extender with 10' cable
MCMCCP-RJ45	Ethernet 10/100BASE T (CAT5/RJ45) connector with 10' cable
MCMCCP-S1	SLC100 & 150, 8 pin mini-Din female extender with 10' cable
MCMCCP-S5	SLC5/01, SLC5/02, & SLC5/03 Ethernet 10/100BASE T (CAT5/RJ45) connector with 10' cable
MCMCCP-SR3	Single receptacle with 3 AMP breaker
MCMCCP-SR5	Single receptacle with 5 AMP breaker
MCMCCP-USB	One (1) USB port extender with 10' cable
MCMCCP-USB/USB	Two (2) USB port extender with 10' cable

**Need another connection, custom logo or graphic. If so, please Call!**



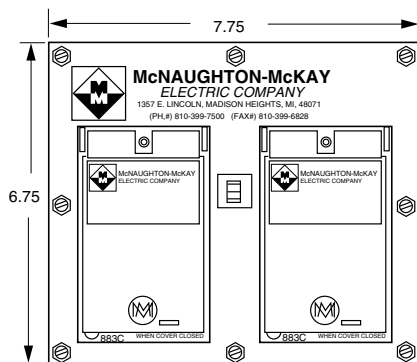
## Two (2) Position Convenience Panel NEMA 12 RATED



Part #	DESCRIPTION
MCMCCP2	2 Position plate for CP modules (empty)
MCMCCP2-15F-DP	15 pin D-Sub female extender with 10' cable & duplex receptacle no breaker
MCMCCP2-25F-DP	25 pin D-Sub female extender with 10' cable & duplex receptacle no breaker
MCMCCP2-25F-DP3	25 pin D-Sub female extender with 10' cable & duplex receptacle 3 AMP breaker
MCMCCP2-25F-P59T/ETH	25 pin D-Sub female extender with 10' cable & PLC5 Data Highway+ port 9 pin D-Sub female to terminals & Ethernet 10/100BT (CAT5/RJ45) with 10' cable
MCMCCP2-62F-9M	62 pin D-Sub female extender with 10' cable & 9 pin D-Sub male extender with 10' cable
MCMCCP2-9F-DP	9 pin D-Sub female extender with 10' cable & duplex receptacle no breaker
MCMCCP2-9F-DP3	9 pin D-Sub female extender with 10' cable & duplex receptacle 3 AMP breaker
MCMCCP2-9F-DP5	9 pin D-Sub female extender with 10' cable & duplex receptacle 5 AMP breaker
MCMCCP2-9F-GF	9 pin D-Sub female extender with 10' cable & GFCI duplex receptacle no breaker
MCMCCP2-9F-IG	9 pin D-Sub female extender with 10' cable & isolated ground duplex receptacle no breaker
MCMCCP2-9FT-DP	9 pin D-Sub female to terminals & duplex receptacle no breaker
MCMCCP2-9FT-DP3	9 pin D-Sub female to terminals & duplex receptacle 3 AMP breaker
MCMCCP2-9FT-IG3	9 pin D-Sub female to terminals & isolated ground duplex receptacle 3 AMP breaker
MCMCCP2-9M-DP	9 pin D-Sub male extender with 10' cable & duplex receptacle no breaker
MCMCCP2-9M-DP3	9 pin D-Sub male extender with 10' cable & duplex receptacle 3 AMP breaker
MCMCCP2-9MT-DP	9 pin D-Sub male to terminals & duplex receptacle no breaker
MCMCCP2-CNP-DP3	ControlNet Passive Access Port extender with 10' cable & duplex receptacle 3 AMP breaker
MCMCCP2-CNP-DP5	ControlNet Passive Access Port extender with 10' cable & duplex receptacle 5 AMP breaker
MCMCCP2-CNP-GF	ControlNet Passive Access Port extender with 10' cable & GFCI duplex receptacle no breaker
MCMCCP2-CNP/9M-DP3	ControlNet Passive Access Port extender with 10' cable + 9 pin D-Sub male extender with 10' cable & duplex receptacle 5 AMP breaker
MCMCCP2-CNP/ETH-DP5	ControlNet Passive Access Port extender with 10' cable + Ethernet 10/100BASE T (CAT5/RJ45) connector with 10' cable & duplex receptacle 5 AMP breaker
MCMCCP2-DH+DP	8 pin mini-DIN female & 9 pin D-Sub female to terminals & duplex receptacle no breaker
MCMCCP2-DH+DP3	8 pin mini-DIN female & 9 pin D-Sub female to terminals & duplex receptacle 3 AMP breaker



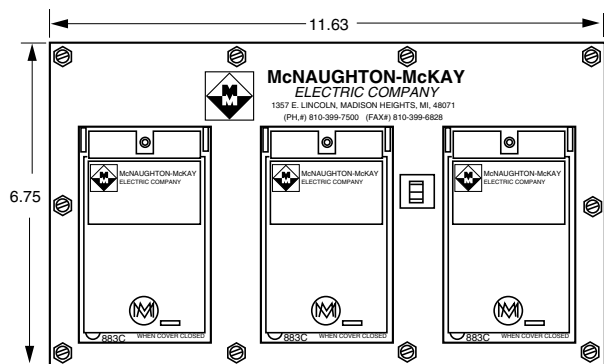
## Two (2) Position Convenience Panel NEMA 12 RATED



Part #	DESCRIPTION
MCMCCP2-DH+DP5	8 pin mini-DIN female & 9 pin D-Sub female to terminals & duplex receptacle 5 AMP breaker
MCMCCP2-DH+GF	8 pin mini-DIN female & 9 pin D-Sub female to terminals & GFCI duplex receptacle no breaker
MCMCCP2-DH+GF3	8 pin mini-DIN female & 9 pin D-Sub female to terminals & GFCI duplex receptacle 3 AMP breaker
MCMCCP2-DH+IG3	8 pin mini-DIN female & 9 pin D-Sub female to terminals & isolated ground duplex receptacle 3 AMP breaker
MCMCCP2-DN-DP3	DeviceNet 5 pin mini-DIN + 5 pin Phoenix to terminals & duplex receptacle 3 AMP breaker
MCMCCP2-ETH-DP	Ethernet 10/100BASE T (CAT5/RJ45) connector with 10' cable & duplex receptacle no breaker
MCMCCP2-ETH-DP3	Ethernet 10/100BASE T (CAT5/RJ45) connector with 10' cable & duplex receptacle 3 AMP breaker
MCMCCP2-ETH-GF	Ethernet 10/100BASE T (CAT5/RJ45) connector with 10' cable & GFCI duplex receptacle no breaker
MCMCCP2-ETH/9M-DP5	Ethernet 10/100BASE T (CAT5/RJ45) connector with 10' cable + 9 pin D-sub male extender with 10' cable & duplex receptacle 5 AMP breaker
MCMCCP2-ML-DP3	MicroLogix 8 pin mini-DIN female extender with 6' cable & duplex receptacle 3 AMP breaker
MCMCCP2-P2-DP	PLC2 port with 15 pin D-Sub female extender with 10' cable & duplex receptacle no breaker
MCMCCP2-P59-DP	PLC5 Data Highway+ port 9 pin D-Sub female extender with 10' cable & duplex receptacle no breaker
MCMCCP2-P59-DP3	PLC5 Data Highway+ port 9 pin D-Sub female extender with 10' cable & duplex receptacle 3 AMP breaker
MCMCCP2-P59T/DS-DP3	PLC5 Data Highway+ port 9 pin D-Sub female to terminals & Ethernet 10BASE2 (COAX/BNC) daisy switch & duplex receptacle 3 AMP breaker <b>(Limited quantity available)</b>
MCMCCP2-P59T/ETH-DP3	PLC5 Data Highway+ port 9 pin D-Sub female to terminals & Ethernet 10/100BT (CAT5/RJ45) with 10' cable & duplex receptacle 3 AMP breaker
MCMCCP2-P5D-DP	Enhanced PLC5 or SLC 5/04 port with 8 pin mini-DIN female with 10' cable & duplex receptacle no breaker
MCMCCP2-P5D-DP3	Enhanced PLC5 or SLC 5/04 port with 8 pin mini-DIN female with 10' cable & duplex receptacle 3 AMP breaker
MCMCCP2-PS2-GF3	One (1) PS/2 port (mouse or keyboard) extender with 10' cable & GFCI duplex receptacle 3 AMP breaker
MCMCCP2-PS2/PS2-IG3	Two (2) PS/2 port (mouse or keyboard) extender with 10' cable & isolated ground duplex receptacle 3 AMP breaker
MCMCCP2-S5-DP	SLC5/01, SLC5/02, & SLC5/03 Ethernet 10/100BASE T (CAT5/RJ45) connector with 10' cable & duplex receptacle no breaker
MCMCCP2-S5-DP3	SLC5/01, SLC5/02, & SLC5/03 Ethernet 10/100BASE T (CAT5/RJ45) connector with 10' cable & duplex receptacle 3 AMP breaker

**Need a different CP2 configuration. If so, please Call!**

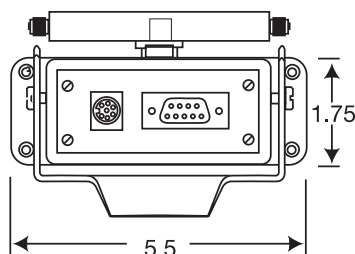
## Three (3) Position Convenience Panel NEMA 12 RATED



Part #	DESCRIPTION
MCMCCP3	3 Position plate for CP modules (empty)
MCMCCP3-CNP-DH+DP5	ControlNet Passive Access Port extender with 10' cable + 8 pin mini-DIN female & 9 pin D-Sub female to terminals + duplex receptacle 5 AMP breaker
MCMCCP3-CNP/9M-ETH-DP3	ControlNet Passive Access Port extender with 10' cable + 9 pin D-Sub male extender with 10' cable & Ethernet 10/100BASE T (CAT5/RJ45) connector with 10' cable + duplex receptacle 3 AMP breaker
MCMCCP3-DH+ETH-DP3	8 pin mini-DIN female & 9 pin D-Sub female to terminals + Ethernet 10/100BASE T (CAT5/RJ45) connector with 10' cable + duplex receptacle 3 AMP breaker

**Need a different CP3 configuration. If so, please Call!**

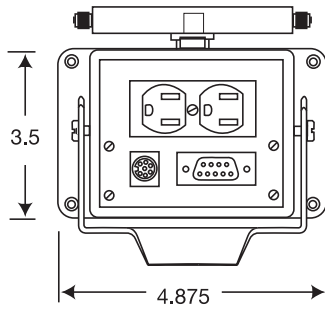
## CN STYLE Convenience Panel NEMA 4 & 12 RATED



Part #	DESCRIPTION
MCMCCN1-25F	25 pin D-Sub female extender with 10' cable
MCMCCN1-25M	25 pin D-Sub male extender with 10' cable
MCMCCN1-9F	9 pin D-Sub female extender with 10' cable
MCMCCN1-9M	9 pin D-Sub male extender with 10' cable
MCMCCN1-CNP	ControlNet Passive Access Port extender with 10' cable
MCMCCN1-DH+	8 pin mini-DIN female & 9 pin D-Sub female to terminals
MCMCCN1-ETH/PS2/PS2	Ethernet 10/100BASE T (CAT5/RJ45) connector with 10' cable + Two (2) PS/2 port (mouse or keyboard) extender with two (2) 10' cable
MCMCCN1-ETH/SR3	Ethernet 10/100BASE T (CAT5/RJ45) connector with 10' cable + single receptacle 3 AMP breaker
MCMCCN1-ETH/SR5	Ethernet 10/100BASE T (CAT5/RJ45) connector with 10' cable + single receptacle 5 AMP breaker
MCMCCN1-P59	PLC5 Data Highway+ port 9 pin D-Sub female extender with 10' cable
MCMCCN1-P59/SR3	PLC5 Data Highway+ port 9 pin D-Sub female extender with 10' cable + single receptacle 3 AMP breaker
MCMCCN1-P59T/ETH	PLC5 Data Highway+ port 9 pin D-Sub female to terminals & Ethernet 10/100BT (CAT5/RJ45) with 10' cable
MCMCCN1-P5D	Enhanced PLC5 or SLC 5/04 port with 8 pin mini-DIN female with 10' cable
MCMCCN1-P5D/SR3	Enhanced PLC5 or SLC 5/04 port with 8 pin mini-DIN female with 10' cable + single receptacle 3 AMP breaker
MCMCCN1-PS2	One (1) PS/2 port (mouse or keyboard) extender with 10' cable
MCMCCN1-S5	SLC5/01, SLC5/02, & SLC5/03 Ethernet 10/100BASE T (CAT5/RJ45) connector with 10' cable

**Need a different CN1 configuration. If so, please Call!**

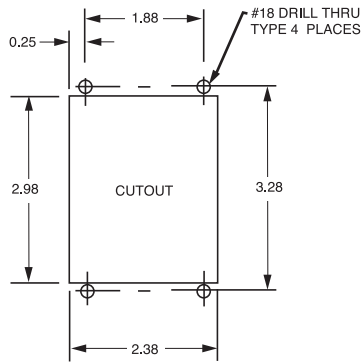
**CN2 STYLE Convenience Panel  
NEMA 4 & 12 RATED**



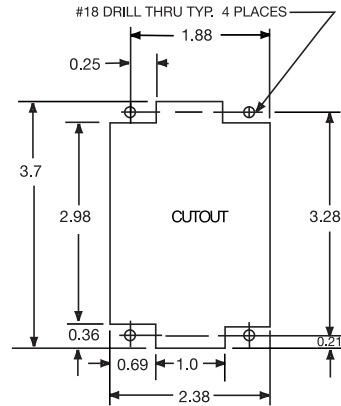
Part #	DESCRIPTION
MCMCCN2-25F/DP	25 pin D-Sub female extender with 10' cable + duplex receptacle no breaker
MCMCCN2-25M/DP	25 pin D-Sub male extender with 10' cable + duplex receptacle no breaker
MCMCCN2-25M/DP3	25 pin D-Sub male extender with 10' cable + duplex receptacle 3 AMP breaker
MCMCCN2-9F/DP	9 pin D-Sub female extender with 10' cable + duplex receptacle no breaker
MCMCCN2-9F/DP3	9 pin D-Sub female extender with 10' cable + duplex receptacle 3 AMP breaker
MCMCCN2-9M/DP	9 pin D-Sub male extender with 10' cable + duplex receptacle no breaker
MCMCCN2-9M/DP3	9 pin D-Sub male extender with 10' cable + duplex receptacle 3 AMP breaker
MCMCCN2-CNP/9M/DP3	ControlNet Passive Access Port extender with 10' cable + 9 pin D-Sub male extender with 10' cable + duplex receptacle 5 AMP breaker
MCMCCN2-CNP/DP3	ControlNet Passive Access Port extender with 10' cable + duplex receptacle 3 AMP breaker
MCMCCN2-CNP/ETH/DP3	ControlNet Passive Access Port extender with 10' cable + Ethernet 10/100BASE T (CAT5/RJ45) connector with 10' cable & duplex receptacle 3AMP breaker
MCMCCN2-DH+/DP3	8 pin mini-DIN female & 9 pin D-Sub female to terminals + duplex receptacle 3 AMP breaker
MCMCCN2-DH+/ETH/DP3	8 pin mini-DIN female & 9 pin D-Sub female to terminals + Ethernet 10/100BASE T (CAT5/RJ45) connector with 10' cable + duplex receptacle 3 AMP breaker
MCMCCN2-ETH/9M/DP5	Ethernet 10/100BASE T (CAT5/RJ45) connector with 10' cable + 9 pin D-sub male extender with 10' cable + duplex receptacle 5 AMP breaker
MCMCCN2-P59/DP3	PLC5 Data Highway+ port 9 pin D-Sub female extender with 10' cable + duplex receptacle 3 AMP breaker
MCMCCN2-P59/ETH/DP3	PLC5 Data Highway+ port 9 pin D-Sub female extender with 10' cable + Ethernet 10/100BASE T (CAT5/RJ45) connector with 10' cable + duplex receptacle 3 AMP breaker
MCMCCN2-P59/ETH/DP5	PLC5 Data Highway+ port 9 pin D-Sub female extender with 10' cable + Ethernet 10/100BASE T (CAT5/RJ45) connector with 10' cable + duplex receptacle 5 AMP breaker
MCMCCN2-P59T/ETH/DP3	PLC5 Data Highway+ port 9 pin D-Sub female to terminals & Ethernet 10/100BT (CAT5/RJ45) with 10' cable + duplex receptacle 3 AMP breaker
MCMCCN2-P5D/ETH/DP3	Enhanced PLC5 or SLC 5/04 port with 8 pin mini-DIN female with 10' cable + Ethernet 10/100BASE T (CAT5/RJ45) connector with 10' cable + duplex receptacle 3 AMP breaker
MCMCCN2-PS2/DP	One (1) PS/2 port (mouse or keyboard) extender with 10' cable + duplex receptacle no breaker
MCMCCN2-S5/DP3	SLC5/01, SLC5/02, & SLC5/03 Ethernet 10/100BASE T (CAT5/RJ45) connector with 10' cable + duplex receptacle 3 AMP breaker

**Need a different CN2 configuration. If so, please Call!**

## CP Style Convenience Panel Cutouts

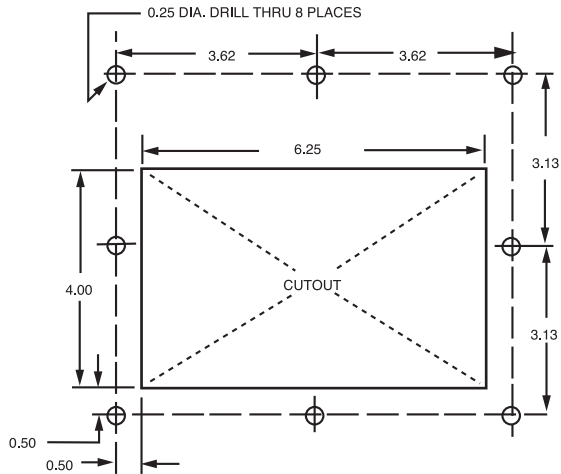


**CP**

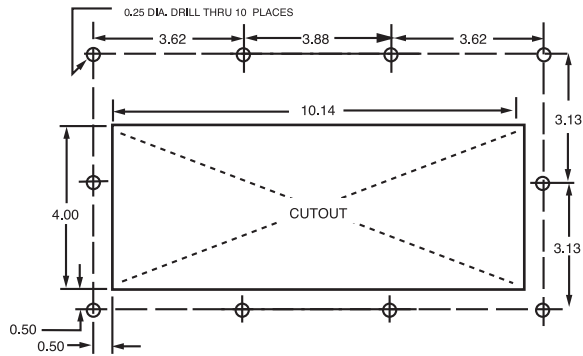


**CP w/any duplex**

## CP Style Convenience Panel Cutouts

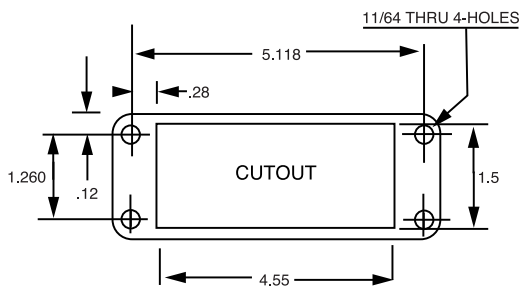


**CP2**

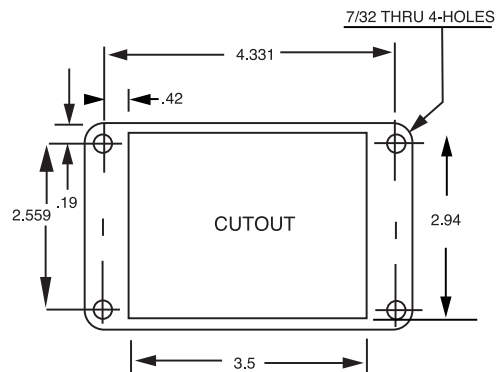


**CP3**

## CN Style Convenience Panel Cutouts



**CN1**



**CN2**



**McNAUGHTON-McKAY**  
ELECTRIC COMPANY  
YOUR ELECTRICAL CONNECTION

**Corporate Office:** 1357 East Lincoln Avenue, Madison Heights, Michigan 48071  
(248) 399-7500 • FAX (248) 399-6828 • WATS (800) 572-5033 • [www.mc-mc.com](http://www.mc-mc.com)

### Locations:

#### Automation Center

1401 E. Lincoln Ave.  
Madison Hgts., MI 48071  
(248) 399-7500  
FAX (248) 414-2220  
WATS (800) 572-5033

#### Charlotte, NC

4527 Dwight Evans Road  
Charlotte, NC 28217  
(704) 527-6555  
FAX (704) 523-5408  
WATS (800) 521-0917

#### Flint, MI

1011 East Fifth Ave.  
Flint, MI 48503  
(810) 238-5611  
FAX (810) 767-4126  
WATS (800) 383-0945

#### New Bern, NC

1000 Newman Road  
New Bern, NC 28562  
(252) 633-4929  
FAX (252) 633-4529

#### Wilmington, NC

6719 Amsterdam Way  
Wilmington, NC 28405  
(910) 392-5600  
FAX (910) 392-0202

#### Ann Arbor, MI

4670 Runway Blvd.  
Ann Arbor, MI 48108  
(734) 995-9515  
FAX (734) 995-4063  
WATS (800) 392-3808

#### Columbus, OH

2255 CityGate Drive  
Columbus, OH 43219  
(614) 476-2800  
FAX (614) 476-2882  
WATS (800) 837-3392

#### Gastonia, NC

2260 RaeFord Court  
Gastonia, NC 28052  
(704) 853-2444  
FAX (704) 853-2443

#### Norcross, GA

6685 Best Friend Rd.  
Norcross, GA 30071  
(770) 825-8600  
FAX (770) 825-8605  
WATS (800) 353-6225

#### Carrollton, GA

102 Cable Industrial Way  
Carrollton, GA 30117  
(678) 291-1100  
FAX (770) 832-0216  
WATS (800) 244-9516

#### Covington, GA

9120 Old City Pond Rd., N.E.  
Covington, GA 30014  
(678) 291-2420  
FAX (770) 786-1546  
WATS (800) 273-3928

#### Greenville, SC

35 Old Mill Road  
Greenville, SC 29607  
(864) 281-0572  
FAX (864) 297-1803  
WATS (800) 537-4855

#### Savannah, GA

1002 Lynes Ave.  
Savannah, GA 31415  
(912) 236-2255  
FAX (912) 236-2666

#### Cartersville, GA

85 Zena Drive, S.E.  
Cartersville, GA 30121  
(770) 248-3930  
FAX (770) 382-8303  
WATS (800) 244-5837

#### Defiance, OH

1936 Spruce Street  
Defiance, OH 43512  
(419) 784-0295  
FAX (419) 782-0628  
WATS (800) 695-0295

#### Hebron, OH

107 Capital Drive  
Hebron, OH 43025  
(740) 929-2727  
FAX (740) 929-3245  
WATS (800) 686-3626

#### Spartanburg, SC

9115 Warren H. Abernathy Rd.  
Spartanburg, SC 29301  
(864) 574-0350  
FAX (864) 574-6513  
WATS (800) 922-9789

#### Charleston, SC

464 Deanna Lane  
Charleston, SC 29492  
(843) 856-7700  
FAX (843) 856-7705

#### Findlay, OH

1950 Industrial Drive  
Findlay, OH 45840  
(419) 422-2984  
FAX (419) 422-9114  
WATS (888) 296-2984

#### Mansfield, OH

1733 Nussbaum Parkway  
Mansfield, OH 44906-1909  
(419) 529-4400  
FAX (419) 529-3139  
WATS (800) 589-2547

#### Toledo, OH

355 Tomahawk Drive  
Maumee, OH 43537  
(419) 891-0262  
FAX (419) 891-0260  
WATS (800) 695-0262

### Subsidiaries:

#### Mc-Mc GmbH

Am Zettachring 8A  
70567 Stuttgart, Germany  
Tel, +49 (711) 7287-3390  
Fax +49 (711) 7287-338