

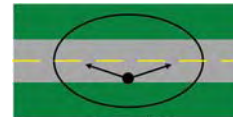
Post Top Street Light LED Retrofit Kit



This SYLVANIA LED Retrofit Kit competes with high-intensity discharge (HID) lamps. By taking advantage of the directional light distribution of high power white LEDs, this revolutionary system delivers light only where needed, minimizing light trespass in applications. It is an ideal solution for communities that wish to convert their existing street lights to an environmentally preferable technology that offers substantial energy and maintenance cost savings as well as dramatic improvements in light quality. It is mercury-free, lead-free, and eliminates service calls for cycling HID lamps.

Key Features & Benefits

- Reduces street light energy consumption up to 85%
- Provides significant maintenance cost savings by lasting 2-6 times longer than HID lamps
- Reduces light pollution by eliminating upward light emission
- Enhances light quality with better uniformity and color performance
- 120 – 277V AC input voltage at 60Hz with surge protection
- Type-III Medium light distribution
- 5700K CCT, CRI 70
- Average rated life of 50,000 hours with 70% lumen maintenance
- Incorporates 60 Golden Dragon® Plus LEDs from OSRAM Opto Semiconductors
- UL1310 recognized Class 2 OPTOTRONIC® power supply



Type-III

Product Offering

Item Number	Description	Nominal Wattage	Voltage	CRI
78532	LED40POST/757/T3M/D11/1G	40	120-277	70

Application Information

Applications

Residential roadways, walkways and bikeways
 Historic restorations and downtown business districts
 Shopping centers, malls and plazas
 College and business park campuses
 Public parks
 Parking lots and garages

Application Notes

1. To prevent personal injury or product damage only licensed electricians should provide all installation services.
2. Please read installation manual before attempting installation.
3. To avoid electric shock or component damage disconnect power before attempting installation or servicing.
4. Installation must be structurally sound as to prevent damage or personal injury due to fixture collapse.
5. Any alteration or modification of this product is expressly forbidden as it may cause serious personal injury, death, property damage and/or product malfunction.



Specification Data

Catalog #	Type
Project	
Comments	
Prepared by	Date

Ordering Information

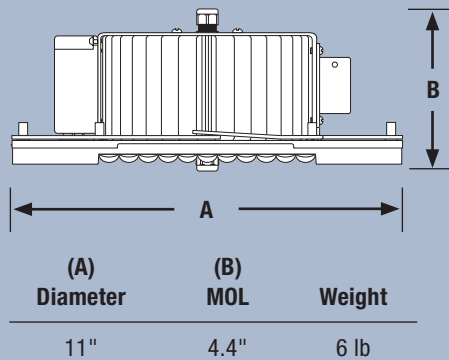
Item Number	Ordering Abbreviation	Input Voltage (VAC)	Nominal Wattage (W)	Power Factor ¹	Efficacy (lm/W) ²	Average Rated Life (hrs) ³	CCT ⁴	CRI	Operation Temp.
78532	LED40POST/757/T3M/D11/1G	120-277	40	0.9	69	50,000	5700K	70	-30°C to 40°C

1. Power factor at nominal AC supply voltage
2. Thermally stable typical initial efficacy ($\pm 10\%$)
3. Hours lifetime with 70% lumen maintenance
4. Thermally stable typical CCT ($\pm 10\%$)

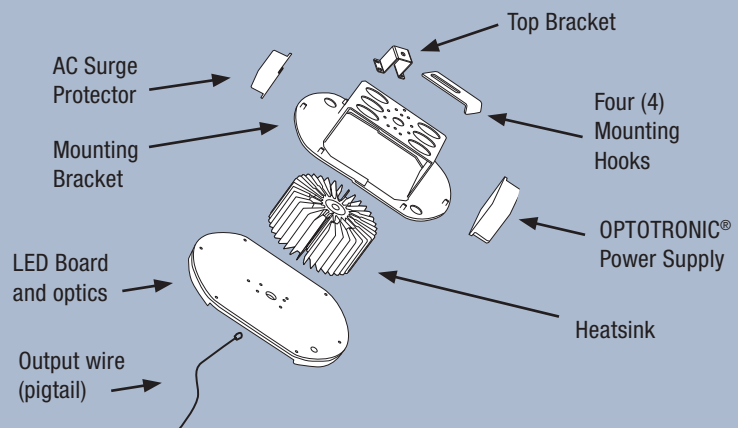
Ordering Guide

LED	40	POST	/	757	/	T3M	/	D11	/	1G
LED Lamps and Retrofits	Wattage: 40W	Fixture Type: Post Top		CRI, CCT 757: 70 CRI, 5700 CCT		Light Distribution T3M: Type-III medium		Diameter 11"		Generation 1G = First

Technical Information



Post Top Street Light LED is pre-assembled



Power Supply

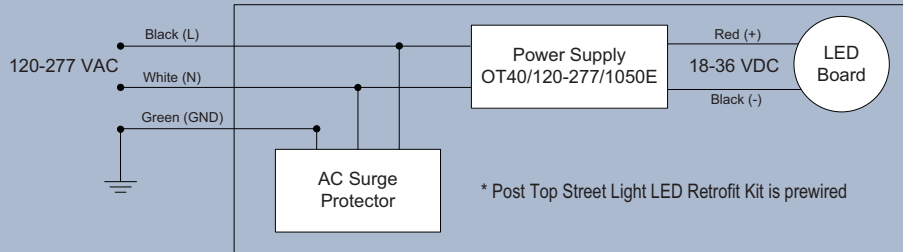
Item Number	Ordering Description	IP Rating
51530	OT40/120-277/1050E*	IP66

* Constant current power supply (1.05A). UL1310 and UL48 recognized for US & Canada. Class 2 unit

Wiring Diagram

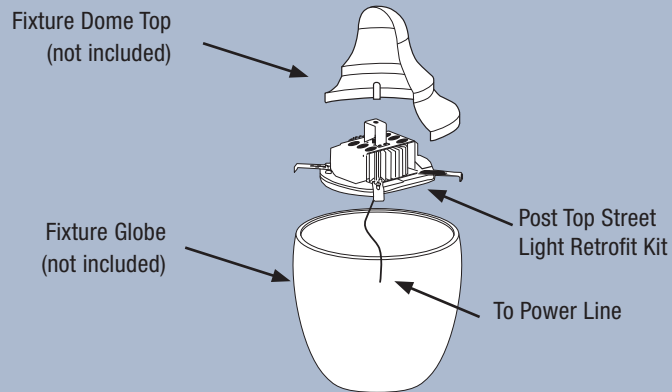
Notes:

1. AC surge protector, OPTOTRONIC power supply and LED Module are prewired in Post Top Street Light LED Retrofit Kit
2. Post Top Street Light LED Retrofit Kit output wire: 18 AWG in pigtail (4 feet)



Assembly Information

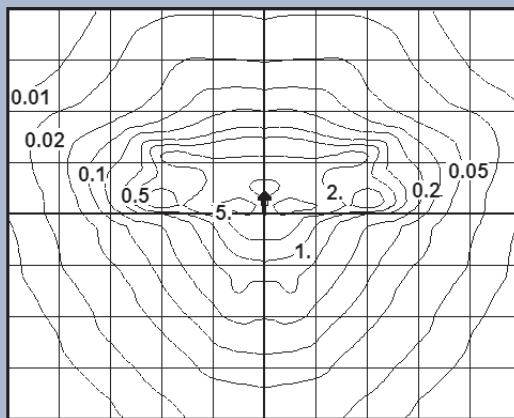
Refer to Installation Manual
for mounting instructions



Photometric Distribution

Illuminance Diagram

(Without fixture globe)

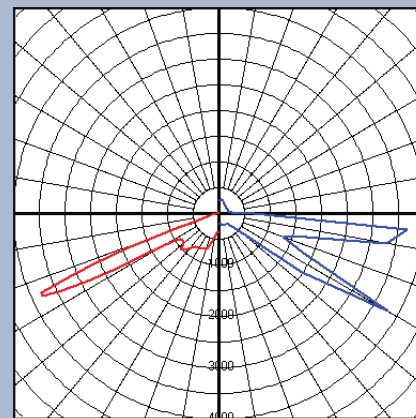


Illuminance in footcandles

Mounting Height = 10'. Each box is one mounting height.
Type III, Medium
(Distribution might change when fixture globe is present)

Luminous Intensity Distribution

(Without fixture globe)



Max plane at H = 60 Max cone at V = 66
Max Candlepower = 3700
(Distribution might change when fixture globe is present)

Warranty

Refer to OSI Post Top Street Light LED Retrofit
Kit Statement of Limited Warranty

United States
OSRAM SYLVANIA
100 Endicott Street
Danvers, MA 01923

Trade
Phone: 1-800-255-5042
Fax: 1-800-255-5043

National Accounts
Phone: 1-800-562-4671
Fax: 1-800-562-4674

OEM/Special Markets
Phone: 1-800-762-7191
Fax: 1-800-762-7192

Display/Optic
Phone: 1-888-677-2627
Fax: 1-800-762-7192

Canada
OSRAM SYLVANIA LTD.
2001 Drew Road
Mississauga, ON L5S 1S4

Trade
Phone: 1-800-263-2852
Fax: 1-800-667-6772

OEM/Special Markets/Display/Optic
Phone: 1-800-265-2852
Fax: 1-800-667-6772

www.sylvania.com



Global Care represents
OSRAM SYLVANIA's commitment to
environmental and social responsibility.

SYLVANIA is a registered trademark of OSRAM SYLVANIA INC.
OPTOTRONIC is a registered trademark of OSRAM GmbH.
Specifications subject to change without notice.