

Midget Twist-Lock® Devices
 15A, 125V AC, 2 Pole, 3 Wire Grounding
 Flanged Receptacle

HUBBELL



Features

- Stainless Steel mounting flange
- High heat resistant phenolic base

Ordering Information

Description	Terminals	UPC	Catalog Number
Stainless steel flanged receptacle.	Exposed	783585237817	HBL7596

Listings

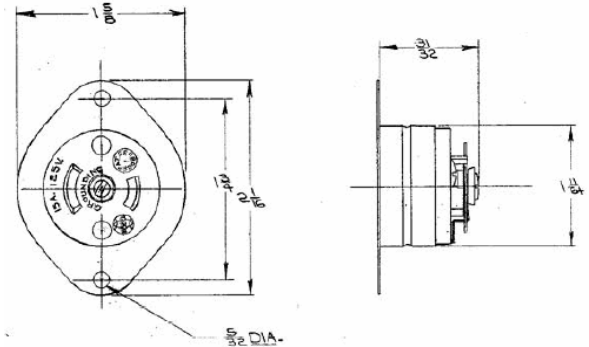
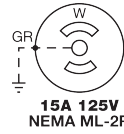
Listed to UL 498
 Certified to CSA C22.2 No.42

Specifications

Flange	Stainless Steel
Base	Phenolic
Contacts	Brass
Terminal Screws	#5-40 Brass

Performance

Electrical	
Current Interrupting	Certified for current interrupting at full rated current
Dielectric Voltage	Withstands 2,000V minimum
Mechanical	
Terminal Accommodation	#18 AWG - #14 AWG solid or stranded copper wire only.
Terminal Identification	Terminals identified in accordance with UL 498
Environmental	
Flammability	HB or better per UL94/CSA 22.2 No.0.17
Moisture Resistance	IP20 Suitability
Operating Temperatures	Maximum Continuous 75°C; Minimum -40°C (w/o impact)



Accessories

Valise® Plug	HBL7594V
Plug	HBL7594
Angled Plug	HBL7570

Resources

Customer Use Drawing
 eCatalog

Dimensions in Inches (mm)

Hubbell Wiring Device-Kellems • Hubbell Incorporated (Delaware) • 40 Waterview Drive • Shelton, CT 06484

Phone (800) 288-6000 • Fax (800) 255-1031 • Specifications subject to change without notice.

