

Figure G.7 Bulletin 284G Safety Control Module Renewal Part Catalog Structure

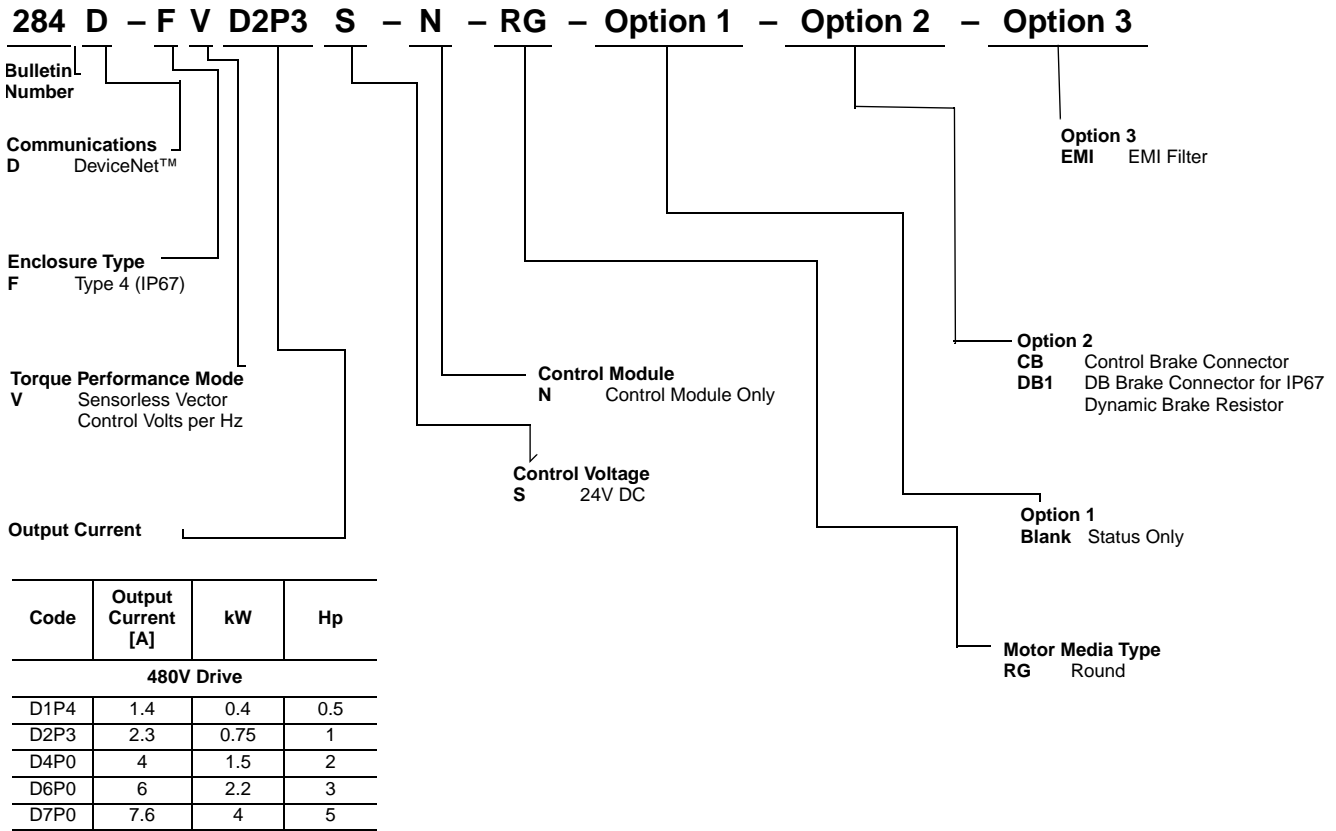


Table G.9 Bulletin 284G Control Module with Sensorless Vector Control , IP67/NEMA 4, Up to 600V

Input Voltage	kW	Hp	Output Current	Cat. No. 120 V AC Control Voltage
380...480V 50/60 Hz 3-Phase	0.4	0.5	1.4 A	284G-FVD1P4S-N-RG-CB-DB1-EMI
	0.75	1.0	2.3 A	284G-FVD2P3S-N-RG-CB-DB1-EMI
	1.5	2.0	4.0 A	284G-FVD4P0S-N-RG-CB-DB1-EMI
	2.2	3.0	6.0 A	284G-FVD6P0S-N-RG-CB-DB1-EMI
	3.0	5.0	7.6 A	284G-FVD7P6S-N-RG-CB-DB1-EMI