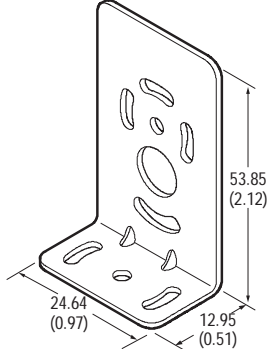
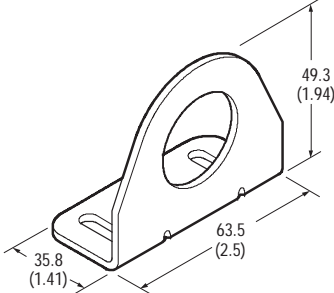
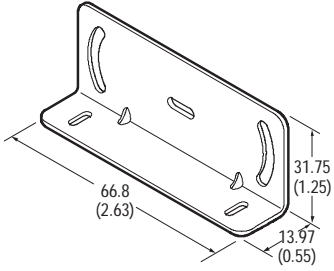
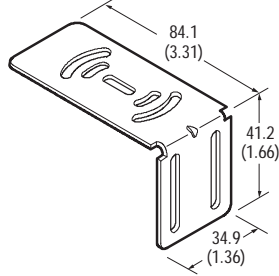
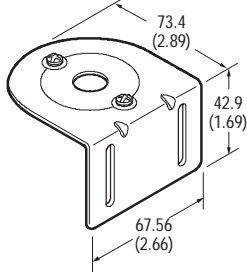
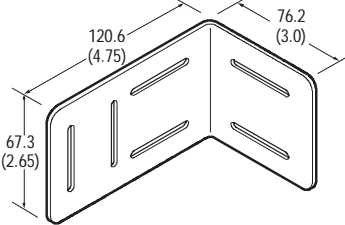
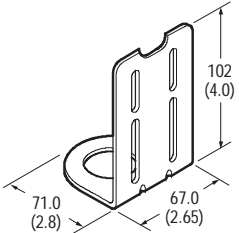
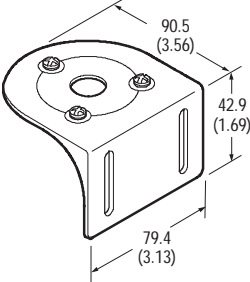
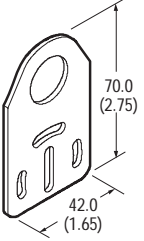
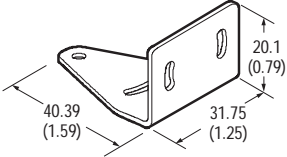
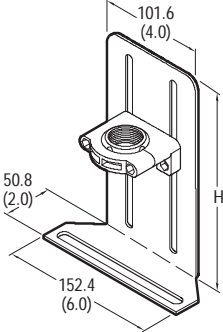


Description	Cat. No.	Used for	Approximate Dimensions [mm (in.)]
Swivel/Tilt bracket allows ±10_ vertical and 360_ rotation adjustment.	60-2649	RightSight	
	60-2439	Series 9000 ColorSight LaserSight	
	60-2681	ClearSight 9000	
	60-2619	Series 7000	
	60-2618	Series 6000	
Right angle mounting bracket allows 30_ horizontal adjustment.	60-2664	MiniSight 42CA, 42CB	
	60-2657	RightSight MiniSight 42CA, 42CB	
Right angle mounting bracket permits a 360_ rotation adjustment. The Cat. No. 60-2513 bracket has mounting hole patterns compatible with the Cat. No. 60-1785.	60-2421 60-2513	Series 9000 ClearSight 9000 ColorSight LaserSight	

Accessories

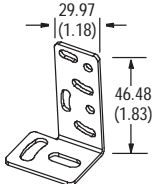
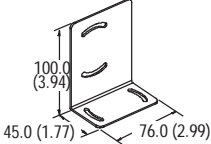
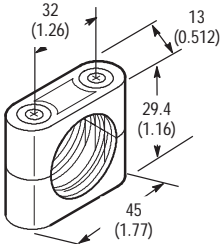
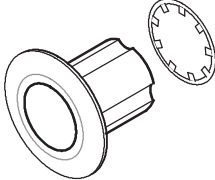
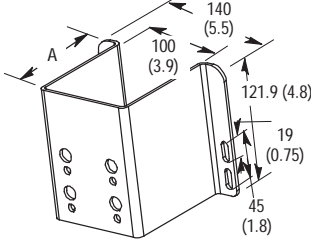
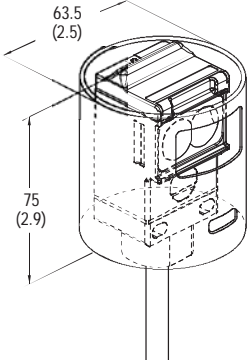
Mounting Brackets


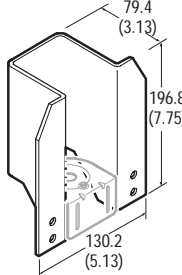

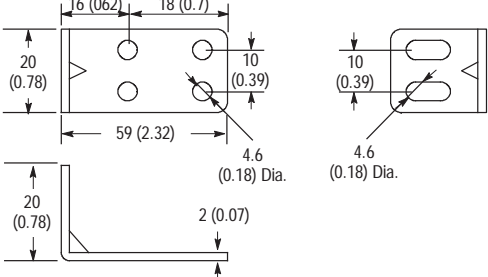
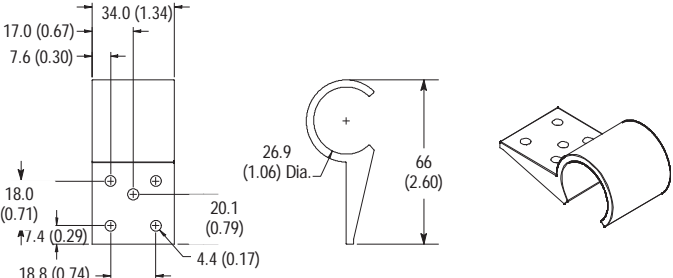
Description	Cat. No.	Used for	Approximate Dimensions [mm (in.)]
<p>Right angle mounting bracket allows 40_ horizontal rotation. The Cat. No. 60-2152 permits a 30_ horizontal rotation.</p>	<p>60-2151 60-2152</p>	<p>Series 7000</p>	
<p>Right angle mounting bracket with 25.4 mm (1 in.) knockout for Series 6000 sensor.</p>	<p>60-2006</p>	<p>Series 6000</p>	
<p>Tilt mounting bracket provides 30_ vertical height adjustment.</p>	<p>60-2007</p>	<p>Series 6000</p>	
<p>Right angle mounting bracket allows for both horizontal and vertical adjustment.</p>	<p>60-2008</p>	<p>Series 6000</p>	
<p>Right angle mounting bracket provides vertical height and 360_ rotation.</p>	<p>60-1785</p>	<p>Series 5000</p>	

Description	Cat. No.	Used for	Approximate Dimensions [mm (in.)]
Right angle mounting bracket intended for use with Unistrut channel provides many vertical and horizontal adjustments.	60-2014	Series 5000	
Right angle mounting bracket allows 360° rotation and has hole patterns to match standard NEMA style limit switches.	60-2230	Series 5000	
Right angle mounting bracket provides 360° rotation.	60-1479	Series 4000	
Straight mounting bracket provides 30° horizontal rotation.	60-2656	RightSight MiniSight 42CA, 42CB	
Side mounting bracket provides 30° of vertical and 20° of horizontal rotation.	60-2663	MiniSight	
Photoelectric sensor vertical height adjustment bracket slotted for any swivel/tilt bracket.	60-2721 (2 x 4 in.) 60-2722 (2 x 6 in.) 60-2723 (2 x 8 in.) 60-2724 (2 x 10 in.)	RightSight MiniSight Series 9000 ClearSight 9000 ColorSight LaserSight	

Accessories

Mounting Brackets

Description	Cat. No.	Used for	Approximate Dimensions [mm (in.)]
Stainless steel mounting bracket	60-BKTL-SS	44B 42JS VisiSight	
Mounting bracket	60-2677	45MLD	
Clamp style bracket fits any 18 mm sensor.	871A-BP18	RightSight MiniSight 42CA, 42CB	
Flush mount adaptor allows any 18 mm sensor to be mounted flush against panel surface.	60-2590	RightSight MiniSight 42CA, 42CB	
Heavy duty impact bracket of #12 steel can be used with swivel/tilt bracket.	60-2695 A = 76 mm (3 in.)	RightSight MiniSight Series 9000 ColorSight LaserSight	
	60-2702 A = 117 mm (4.6 in.)	ClearSight 9000	
Heavy duty impact bracket of #12 steel can be used with swivel/tilt bracket.	60-2725	Series 9000	

Description	Cat. No.	Used for	Approximate Dimensions [mm (in.)]
Heavy duty mounting bracket designed for use in high vibration applications provides both horizontal and vertical height adjustment.	60-1748	Series 5000	
Heavy duty impact bracket of #12 steel can be used with the Cat. No. 60-1785 mounting bracket.	60-2083	Series 5000	
Heavy duty impact bracket protects sensor and provides 60° horizontal adjustment.	60-1665	Series 4000	
Mounting bracket (included with sensor)	60-2773	45PVA	
Plastic bracket (2 brackets)	60-2779	45PVA	

Accessories

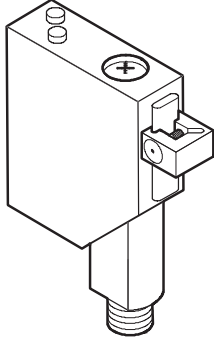
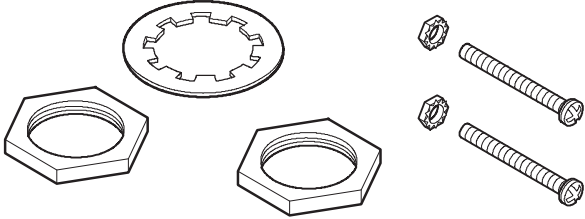
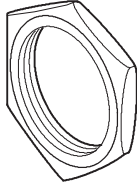
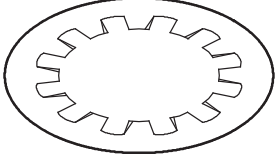
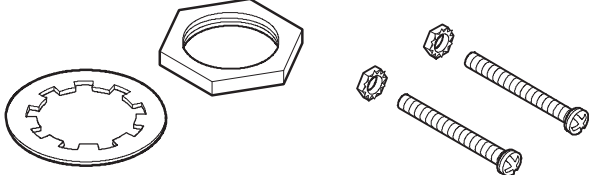
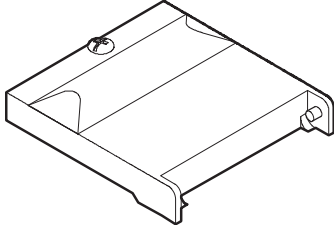
Mounting Brackets

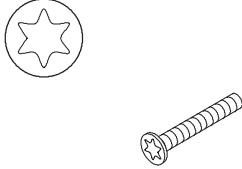
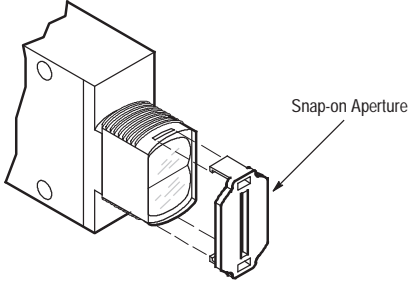
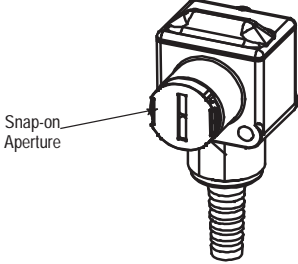
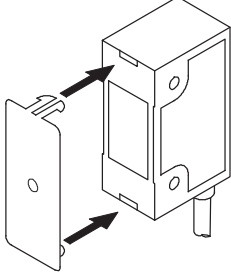
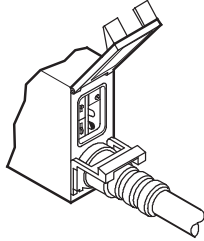
Description	Cat. No.	Used for	Approximate Dimensions [mm (in.)]
Metal brackets (2 brackets)	60-2772	45PVA	
Galvanized steel	60-2775-1	45PVA - 1LEB1-F4	
Galvanized steel	60-2776-1	45PVA - 1LEB2-F4	
Galvanized steel	60-2777-1	45PVA - 1LEB3-F4	
Galvanized steel	60-2778-1	45PVA - 1LEB4-F4	

Description	Cat. No.	Used for	Approximate Dimensions [mm (in.)]
Mounting bracket	60-BJS-L1	42JS VisiSight	
Mounting bracket	60-BJS-L2	42JS VisiSight	
18 mm snap-on adaptor	60-AJS-18	42JS VisiSight	

Accessories

Protective Brackets and Apertures

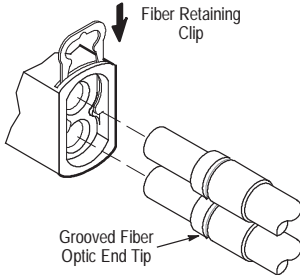
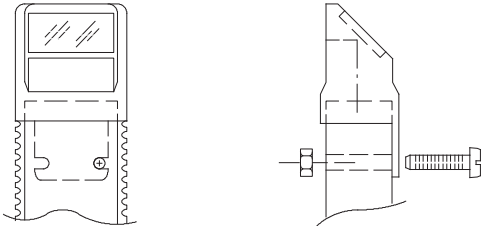
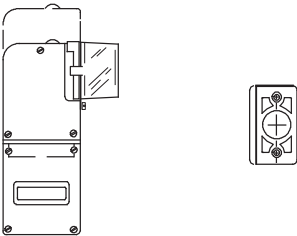
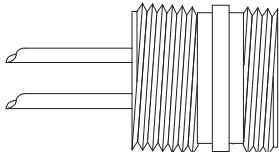
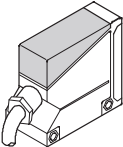
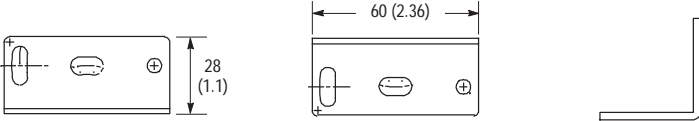
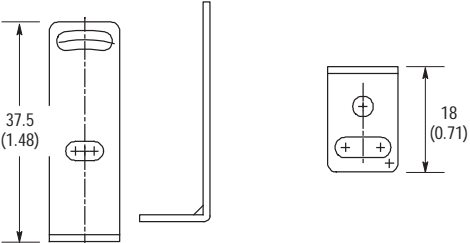
Description	Cat. No.	Used for	Approximate Dimensions [mm (in.)]
Dovetail mounting bracket	44B-BKT	44B 45LSP	
18 mm mounting kit contains lockwasher, nuts, and screws for both body or thru-hole mounting.	60-2716	RightSight	
18 mm mounting nut, plastic (2 each).	871T-N3	RightSight MiniSight 42CA, 42CB	
18 mm mounting nut, stainless steel (2 each).	871T-N4	RightSight MiniSight 42CA, 42CB	
18 mm lockwasher, metal	871A-LWN18	RightSight MiniSight 42CA, 42CB	
30 mm mounting kit contains lockwasher, nuts, and screws for both body or thru-hole mounting.	129-130	Series 9000 ColorSight LaserSight ClearSight 9000	
Replacement user interface cover.	60-2620	Series 9000 ColorSight LaserSight ClearSight 9000	

Description	Cat. No.	Used for	Approximate Dimensions [mm (in.)]
Torx screw set to prevent tampering of sensor settings (set contains 25 pieces). Requires Torx screwdriver 57-144.	129-135	Series 9000 ColorSight LaserSight ClearSight 9000	
Torx screwdriver	57-144	Series 9000 ColorSight LaserSight ClearSight 9000	
<p>Apertures are used on transmitted beam sensing models to decrease the field of view. This is helpful in applications where small targets must be detected with precision. Note that the sensing range will be reduced by as much as 90% when using apertures. Apertures should be fitted to both the source and receiver models for proper operation. Each kit comes with 20 apertures except as noted.</p>	60-2673 (1 mm) 60-2674 (2 mm) 60-2675 (4 mm) 60-2676 (1, 2, 4 mm)❶	MiniSight	
	60-2660 (1 mm) 60-2661 (2 mm) 60-2662 (4 mm) 60-2659 (1, 2, 4 mm)❶	RightSight	
	61-6726 (1 mm) 61-6727 (2 mm) 61-6728 (3 mm) 61-6729 (1x5 mm)❷	42KB	
Replacement cover and locking clip.	60-2679	MiniSight	

❶ 4 each per kit
 ❷ 10 pieces per kit

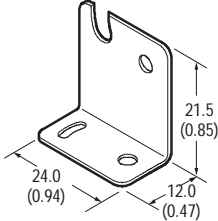
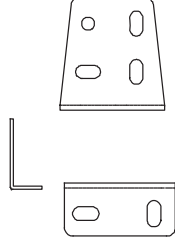
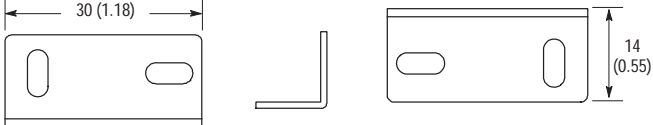
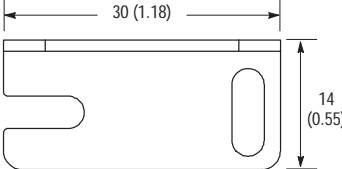
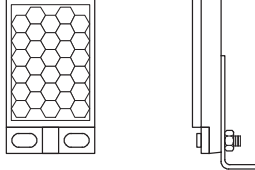
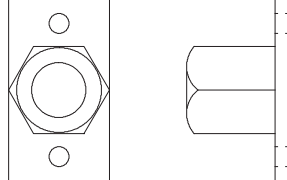
Accessories

Protective Brackets and Apertures

Description	Cat. No.	Used for	Approximate Dimensions [mm (in.)]
Replacement fiber optic retaining clip (set of 5 pieces).	60-2680	MiniSight	 <p>Fiber Retaining Clip</p> <p>Grooved Fiber Optic End Tip</p>
Snap on mirror permits side viewing of targets. Only for retroreflective and transmitted beam sensing models and will reduce sensing range by 30%.	60-2052	Series 6000	
Snap on mirror permits side viewing of targets. Only for retroreflective, diffuse, and transmitted beam sensing models and will reduce sensing range by 30%.	60-1840	Series 5000	
4-pin mini QD receptacle simplifies installation.	60-2668	42BC	
Replacement cover for user interface panel.	60-2669	42BC	
Replacement right angle mounting bracket.	60-2637	42BC	
Replacement mounting bracket side view.	60-2633	42KB	

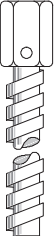
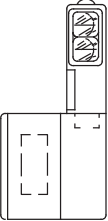
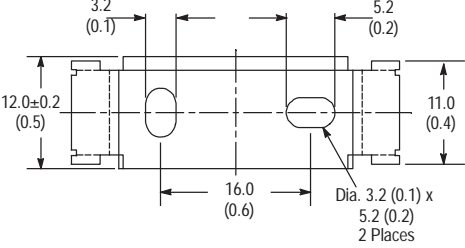
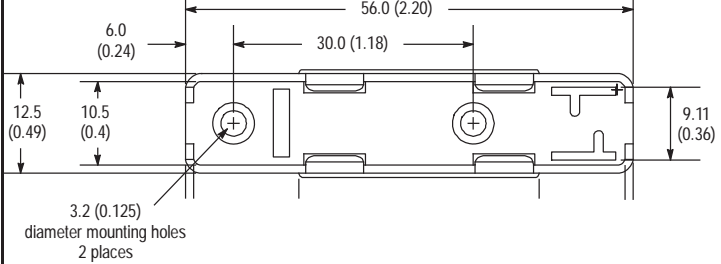
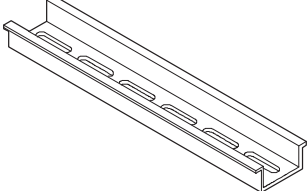
Accessories

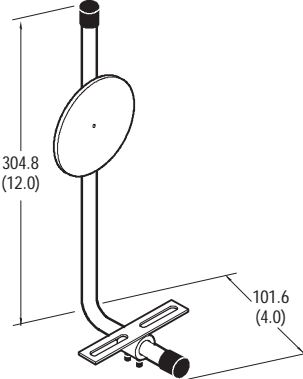
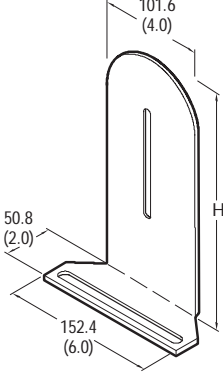
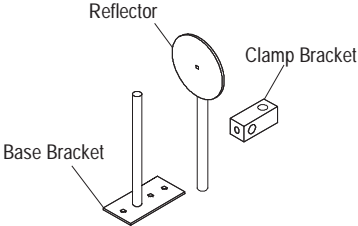
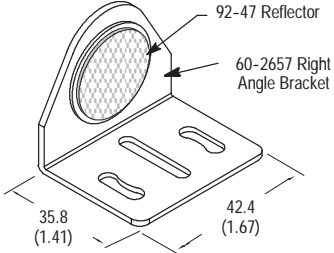
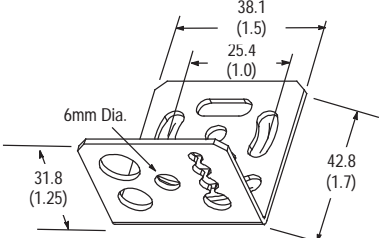
Protective Brackets and Apertures

Description	Cat. No.	Used for	Approximate Dimensions [mm (in.)]
Replacement mounting bracket end view.	60-2632	42KB	
Replacement mounting bracket.	60-2635	42KC	
Replacement mounting bracket end view.	60-2634	42KC	
Replacement right angle mounting bracket.	60-2636	42BA	
Replacement reflector.	92-93	42KB 42KC	
Conduit mounting adaptor permits connection of sensor to 1/2 in. NPT conduit. Gasketed to maintain NEMA 4 rating.	60-2213	Series 5000	

Accessories

Protective Brackets and Apertures

Description	Cat. No.	Used for	Approximate Dimensions [mm (in.)]
Adaptor contains 3 m (10 ft) or armoured cable to protect PVC cable found on Series 5000 cable style bases.	60-1577	Series 5000	
Counter/Totalizer module provides reliable high-speed counting capability and six digit, 5 mm high, LCD display. Battery powered for minimum 5 year life.	60-2072	Series 5000 Green Line	
Replacement adaptor permits mounting of sensor to 35 mm DIN rail.	60-2638	42FT 45FVL 45FSL	
Replacement adaptor permits mounting of sensor to 35 mm DIN rail.	60-2639	42FA	
35 mm DIN rail (1 m) for mounting sensor and other control equipment.	64-134	42FT 45FVL 45FSL	

Description	Cat. No.	Used for	Approximate Dimensions [mm (in.)]
Right angle reflector bracket set for mounting up to 3 in. diameter reflectors.	60-2717	92-39 92-89 92-46 92-47 92-105 92-106	
Reflector vertical height adjustment bracket for mounting up to 3 in. diameter reflectors.	60-2718 (2 x 8 in.) 60-2719 (2 x 10 in.) 60-2720 (2 x 12 in.)	92-39 92-89 92-46 92-47 92-105 92-106	
Reflector bracket provides both vertical and horizontal height adjustment. Bracket comes with 3 in. reflector Cat. No. 92-39.	60-2685	92-39 92-89 92-46 92-47 92-105 92-106	
Mounting bracket with Cat. No. 92-47 reflector mounted at right angle	60-2692	92-47	
Right angle mounting bracket for both reflectors and fiber optic cables	60-2696	92-105 92-106 92-47 92-46	

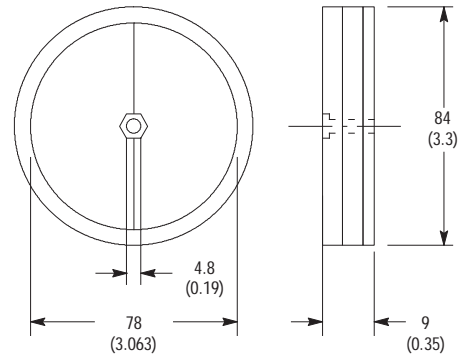
Accessories

Reflectors, Reflective Tape

Specifications

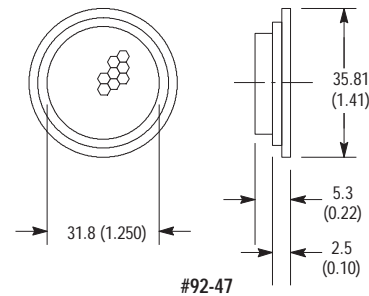
Approximate Dimensions [mm (in.)]

Cat. No.	92-39	92-124
Description	Reflector, 76 mm (3 in.) dia. with center mount hole. (Plastic back) (ABS)	
Suitable for Polarized Sensor	Yes	
Cube Style	Corner cube	
Optimum Range ^❶	150 mm (6 in.)...2 m (80 in.)	
Recommended Application	Suitable for general purpose applications up to 65°C (150°F).	

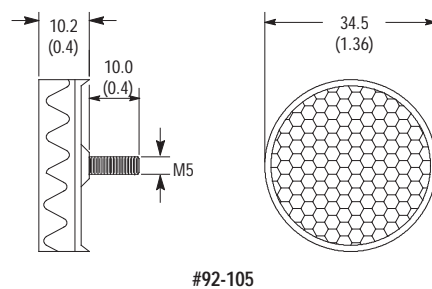


Cat. No.	92-89
Description	Reflector, 76 mm (3 in.) dia. with center mount hole. (Aluminum back)
Suitable for Polarized Sensor	Yes
Cube Style	Corner cube
Optimum Range ^❶	150 mm (6 in.)...2 m (80 in.)
Recommended Application	Suitable for general purpose applications up to 65°C (150°F).

Cat. No.	92-47
Description	Reflector, 32 mm (1.25 in.) dia. Requires adhesive backing.
Suitable for Polarized Sensor	Yes
Cube Style	Corner cube
Optimum Range ^❶	150 mm (6 in.)...1.5 m (5 ft)
Recommended Application	Suitable for general purpose applications up to 65_C (150_F).



Cat. No.	92-105
Description	Reflector, 32 mm (1.25 in.) dia. with M5 screw
Suitable for Polarized Sensor	Yes
Cube Style	Corner cube
Optimum Range ^❶	150 mm (6 in.)...1.5 m (5 ft)
Recommended Application	Suitable for general purpose applications up to 65_C (150_F).

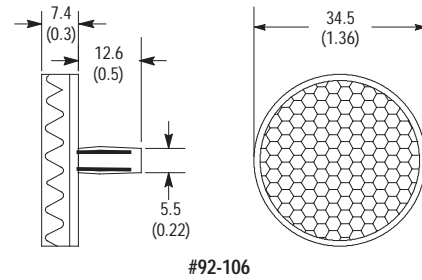


❶ Optimum range varies with sensor optics. See table on page 1-315 for reflectivity performance.

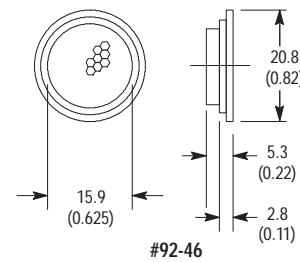
Specifications

Approximate Dimensions [mm (in.)]

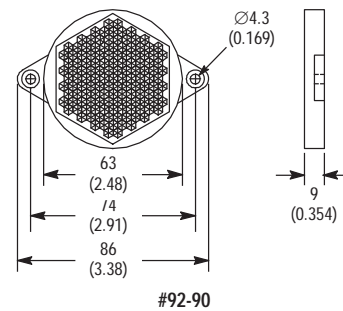
Cat. No.	92-106
Description	Reflector, 32 mm (1.25 in.) dia. with snap fit post
Suitable for Polarized Sensor	Yes
Cube Style	Corner cube
Optimum Range ^①	150 mm (6 in.)...1.5 m (5 ft)
Recommended Application	Suitable for general purpose applications up to 65_C (150_F).



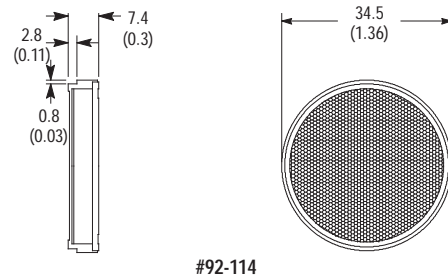
Cat. No.	92-46
Description	Reflector, 16 mm (0.625 in.) dia. Requires adhesive backing.
Suitable for Polarized Sensor	Yes
Cube Style	Corner cube
Optimum Range ^①	51 mm (2 in.)...150 mm (6 in.)
Recommended Application	Suitable for general purpose applications up to 65_C (150_F).



Cat. No.	92-90
Description	Reflector, 86 mm (3 in.) dia. with mounting tabs.
Suitable for Polarized Sensor	Yes
Cube Style	Corner cube
Optimum Range ^①	51 mm (2 in.)...1.5 m (5 ft)
Recommended Application	Suitable for ClearSight photoelectric sensors and general purpose applications up to 65_C (150_F).



Cat. No.	92-114
Description	Reflector, 34 mm (1.35 in.) dia. Requires adhesive backing.
Suitable for Polarized Sensor	Yes
Cube Style	Micro cube
Optimum Range ^①	
Recommended Application	Ideal for laser-based photoelectric sensors such as LaserSight as well as general purpose applications up to 65_C (150_F).



① Optimum range varies with sensor optics. See table on page 1-315 for reflectivity performance.
 ② Cat. Nos. 92-47 and 92-46 can be mounted with adhesive tape (not included).

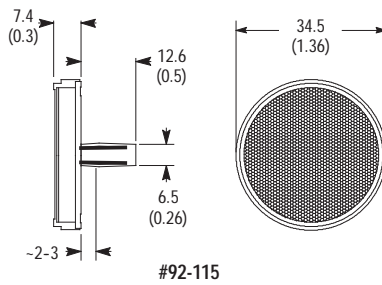
Accessories

Reflectors, Reflective Tape

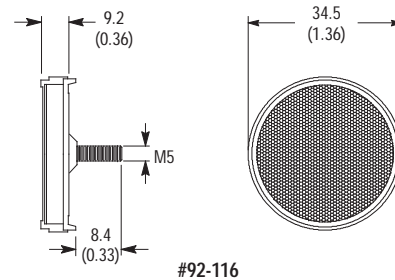
Specifications

Approximate Dimensions [mm (in.)]

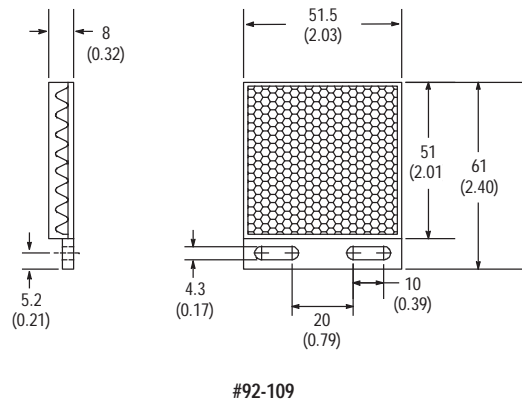
Cat. No.	92-115
Description	Reflector, 34 mm (1.35 in.) dia. with snap fit post.
Suitable for Polarized Sensor	Yes
Cube Style	Micro cube
Optimum Range ^❶	
Recommended Application	Ideal for laser-based photoelectric sensors such as LaserSight as well as general purpose applications up to 65_C (150_F).



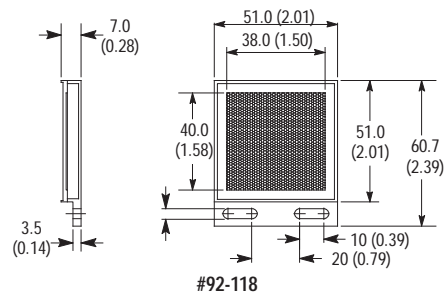
Cat. No.	92-116
Description	Reflector, 34 mm (1.35 in.) dia. with threaded post.
Suitable for Polarized Sensor	Yes
Cube Style	Micro cube
Optimum Range ^❶	
Recommended Application	Ideal for laser-based photoelectric sensors such as LaserSight as well as general purpose applications up to 65_C (150_F).



Cat. No.	92-109
Description	Reflector, 51 x 61 mm (2 x 2.5 in.) rectangular with mounting tabs.
Suitable for Polarized Sensor	Yes
Cube Style	Corner cube
Optimum Range ^❶	51 mm (2 in.)...3.0 m (10 ft)
Recommended Application	Suitable for general purpose applications up to 65_C (150_F).



Cat. No.	92-118
Description	Reflector, 51 x 61 mm (2 x 2.5 in.) rectangular with mounting tabs.
Suitable for Polarized Sensor	Yes
Cube Style	Micro cube
Optimum Range ^❶	
Recommended Application	Suitable for general purpose applications up to 65_C (150_F). The Cat. No. 92-118 is also suitable for laser-based photoelectric sensors such as LaserSight.

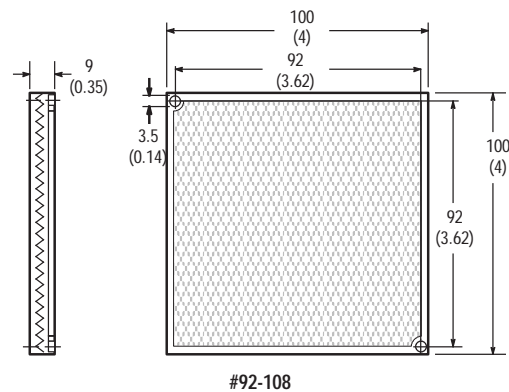


❶ Optimum range varies with sensor optics. See table on page 1-315 for reflectivity performance.

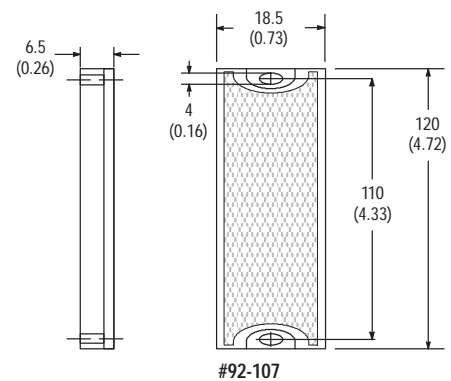
Specifications

Approximate Dimensions [mm (in.)]

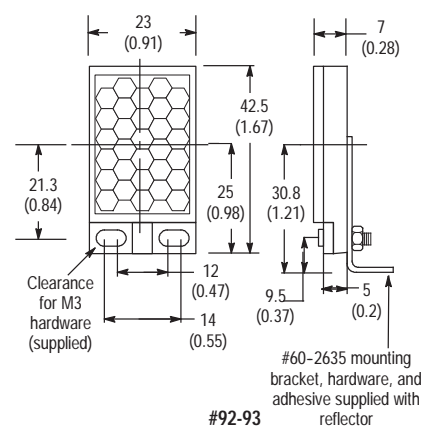
Cat. No.	92-108
Description	Reflector, 100 x 100 mm (4 x 4 in.) square with mounting tabs.
Suitable for Polarized Sensor	Yes
Cube Style	Corner cube
Optimum Range ^①	150 mm (6 in.)...3.0 m (10 ft)
Recommended Application	Suitable for general purpose applications up to 65_C (150_F).



Cat. No.	92-107
Description	Reflector, 18.5 x 120 mm (0.73 x 4.72 in.) rectangular with mounting tabs.
Suitable for Polarized Sensor	Yes
Cube Style	Corner cube
Optimum Range ^①	51 mm (2 in.)...1.5 m (5 ft)
Recommended Application	Suitable for general purpose applications up to 65_C (150_F).



Cat. No.	92-93
Description	Reflector, 23 x 42.5 mm (0.91 x 1.67 in.) rectangular with mounting tabs and bracket. Right angle bracket and adhesive tape.
Suitable for Polarized Sensor	Yes
Cube Style	Corner cube
Optimum Range ^①	51 mm (2 in.)...150 mm (6 in.)
Recommended Application	Suitable for general purpose applications up to 55_C (130_F).



① Optimum range varies with sensor optics. See table on page 1-315 for reflectivity performance.

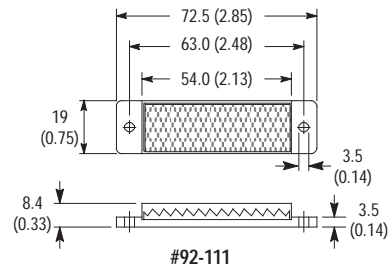
Accessories

Reflectors, Reflective Tape

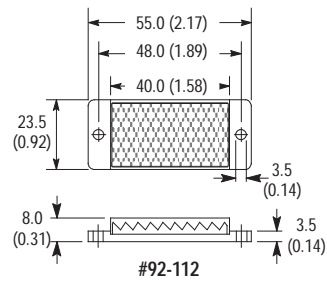
Specifications

Approximate Dimensions [mm (in.)]

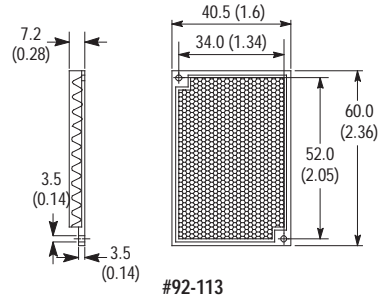
Cat. No.	92-111
Description	Reflector, 19 x 72.5 mm (0.75 x 2.85 in.) rectangular with mounting tabs.
Suitable for Polarized Sensor	Yes
Cube Style	Corner cube
Optimum Range ^①	
Recommended Application	Suitable for general purpose applications up to 55_C (130_F).



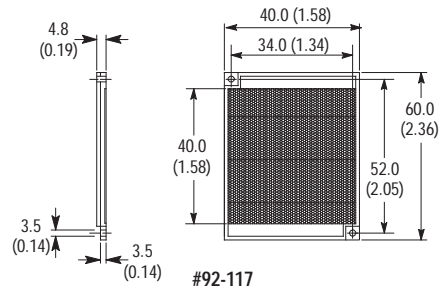
Cat. No.	92-112
Description	Reflector, 23.5 x 55 mm (0.924 x 2.17 in.) rectangular with mounting tabs.
Suitable for Polarized Sensor	Yes
Cube Style	Corner cube
Optimum Range ^①	
Recommended Application	Suitable for general purpose applications up to 55_C (130_F).



Cat. No.	92-113
Description	Reflector, 40.5 x 60 mm (1.6 x 2.36 in.) rectangular with mounting tabs.
Suitable for Polarized Sensor	Yes
Cube Style	Corner cube
Optimum Range ^①	
Recommended Application	Suitable for general purpose applications up to 55_C (130_F).



Cat. No.	92-117
Description	Reflector, 40.5 x 60 mm (1.6 x 2.36 in.) rectangular with mounting tabs.
Suitable for Polarized Sensor	Yes
Cube Style	Micro cube
Optimum Range ^①	
Recommended Application	Suitable for general purpose applications up to 55_C (130_F). The 92-117 is also suited for laser-based photoelectric sensors such as LaserSight.

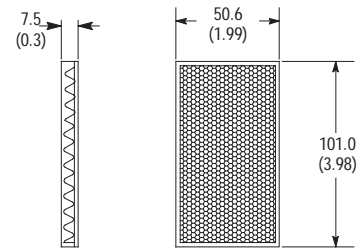


① Optimum range varies with sensor optics. See table on page 1-315 for reflectivity performance.

Specifications

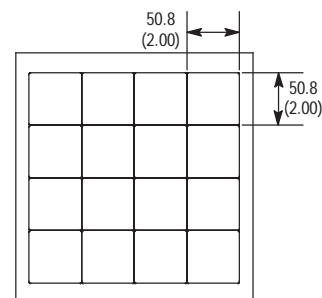
Approximate Dimensions [mm (in.)]

Cat. No.	92-119
Description	Reflector, 51 x 101 mm (2 x 4 in.) rectangular with adhesive backing.
Suitable for Polarized Sensor	Yes
Cube Style	Corner cube
Optimum Range ^①	
Recommended Application	Suitable for general purpose applications up to 65_C (150_F).



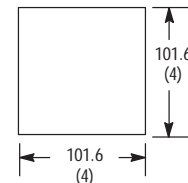
#92-119

Cat. No.	92-97
Description	Reflective tape, 51 mm (2 in.) square, sheet of 16 pieces with adhesive backing.
Suitable for Polarized Sensor	Yes
Cube Style	Glass bead
Optimum Range ^①	150 mm (6 in.)...1.5 m (5 ft)
Recommended Application	Suitable for general purpose applications up to 121_C (250_F). Also suitable for polarized retroreflective sensors.



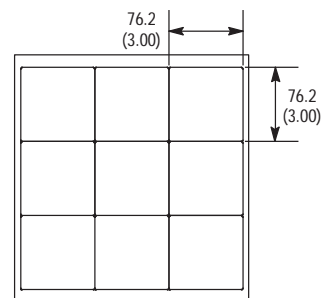
#92-97

Cat. No.	92-91
Description	Reflective metal, 100 x 100 mm (4 x 4 in.) square.
Suitable for Polarized Sensor	No
Cube Style	Glass bead
Optimum Range ^①	150 mm (6 in.)...1.5 m (5 ft)
Recommended Application	The Cat. No. 92-91 is intended for use in high temperature applications up to 480_C (900_F) but not with polarized retroreflective sensors.



#92-91

Cat. No.	92-98
Description	Reflective tape, 76 mm (2.75 in.) square, sheet of 9 pieces with adhesive backing.
Suitable for Polarized Sensor	Yes
Cube Style	Glass bead
Optimum Range ^①	150 mm (6 in.)...1.5 m (5 ft)



#92-98

① Optimum range varies with sensor optics. See table on page 1-315 for reflectivity performance.

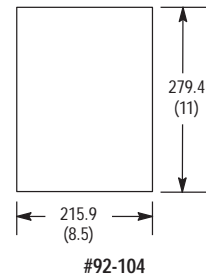
Accessories

Reflectors, Reflective Tape

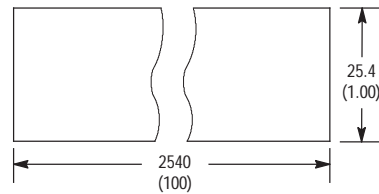
Specifications

Approximate Dimensions [mm (in.)]

Cat. No.	92-104
Description	Reflective tape, 215.9 x 279.4 mm (8.5 x 11 in.) sheet with adhesive backing.
Suitable for Polarized Sensor	Yes
Cube Style	Glass bead
Optimum Range❶	200 mm (8 in.)...1.5 m (5 ft)
Recommended Application	Suitable for general purpose applications up to 60_C (140_F) with polarized retroreflective sensors.



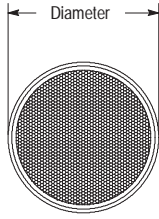
Cat. No.	92-99
Description	Reflective tape, roll of 25 x 2540 mm (1 x 100 in.).
Suitable for Polarized Sensor	Yes
Cube Style	Glass bead
Optimum Range❶	150 mm (6 in.)...1.0 m (40 in.)
Recommended Application	Suitable for general purpose applications up to 65_C (150_F).



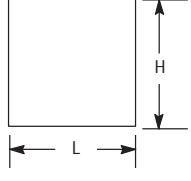
Cat. No.	92-100
Description	Reflective tape, 25 x 2540 mm (1 x 100 in.).
Suitable for Polarized Sensor	No
Cube Style	Glass bead
Optimum Range❶	150 mm (6 in.)...1.0 m (40 in.)
Recommended Application	Suitable for general purpose applications up to 79_C (175_F).

❶ Optimum range varies with sensor optics. See table on page 1-315 for reflectivity performance.

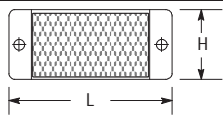
Round Reflectors

Diameter [mm (in.)]	Cube Style	Mounting	Temperature	Approximate Dimensions [mm (in.)]	Cat. No.
76.2 (3)	Corner Cube	Thru-Hole	≤ 65_C (150_F)		92-39
76.2 (3)					92-89
31.75 (1.25)		Adhesive			92-47
31.75 (1.25)		M5 Screw			92-105
31.75 (1.25)		Snap-Fit			92-106
31.75 (1.25)	Micro Cube	Adhesive			92-114
31.75 (1.25)		Snap-Fit			92-115
31.75 (1.25)		M5 Screw			92-116
19.05 (0.75)	Corner Cube	Adhesive			92-46
57.15 (2.25)		Thru-Hole x 2			92-90

Reflective Tape

Length x Height [mm (in.)]	Cube Style	Mounting	Temperature	Approximate Dimensions [mm (in.)]	Cat. No.
50 x 50 (2 x 2) (16 per sheet)	Glass Bead	Adhesive	<121_C (250_F)		92-97
76 x 76 (3 x 3) (9 per sheet)			<60_C (140_F)		92-98
100 x 100 (3.94 x 3.94)			<480_C (900_F)		92-104
2510 x 25 (98.8 x 0.98) (1 roll)			≤ 65_C (150_F)		92-91
			<79_C (175_F)		92-99
				92-100	

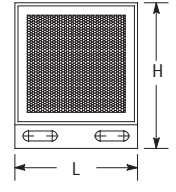
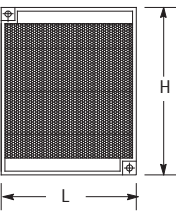
Rectangular Reflectors

Length x Height [mm (in.)]	Cube Style	Mounting	Temperature	Approximate Dimensions [mm (in.)]	Cat. No.	
40.5 x 60 (1.59 x 2.36)	Corner Cube	Thru-Hole x 2	<55_C (130_F)		92-113	
50.6 x 101 (1.99 x 3.98)		Adhesive	<65_C (150_F)		92-119	
18.5 x 120 (0.73 x 4.72)		Thru-Hole x 2		<55_C (130_F)	92-112, 92-111, 92-107	92-107
55 x 23.5 (2.17 x 0.93)					92-112	
72.5 x 19 (2.85 x 0.75)					92-111	
42 x 22 (1.65 x 0.87)					92-93	
				92-113, 92-117, 92-119		

Accessories

Reflectors, Reflective Tape

Square Reflectors

Length x Height [mm (in.)]	Cube Style	Mounting	Temperature	Approximate Dimensions [mm (in.)]	Cat. No.
100 x 100 (3.94 x 3.94)	Corner Cube	Thru-Hole x 2	≤ 65_C (150_F)	 <p>92-108, 92-117</p>	92-108
51.5 x 61 (2.08 x 2.40)					92-109
40 x 60 (1.57 x 2.36)				Micro Cube	 <p>92-109, 92-118</p>
51 x 60.7 (2.01 x 2.39)	92-118				

For more detailed dimensions, please refer to www.ab.com/e-tools.

Relative Reflectivity

Reflectivity varies with distance and with sensor optics. The table below is designed to be used as a comparison between reflectors. The numbers represent a reflectivity at a given range

by a class of sensors relative to the standard 92-39 3 in. round reflector.

The two classes of sensors shown represent optic styles. The standard size optic includes the Series 9000,

10,000, 5000, and 4000.

The miniature optics are used in the smaller sensor families: RightSight[™], MiniSight[™], 5000, 6000, and 7000 Series.

Reflector		Standard Polarized Sensors			Miniature Polarized Sensors			Laser-Based Sensors	
		Series 10,000, 9000, 5000, and 4000			RightSight, MiniSight, Series 6000, 7000, and 42xx			LaserSight	
Cat. No.	Description	3.0 m (10 ft)	1.5 m (5 ft)	0.61 m (2 ft)	450 mm (18 in.)	200 mm (8 in.)	100 mm (4 in.)	15.2 m (50 ft)	3.05 m (10 ft)
92-39, 92-89	Reflector, 3 in. round	100	100	100	100	100	100	100	100
92-46	Reflector, 3/4 in. round	—	—	50	50	40	25	—	100
92-47	Reflector, 1 1/4 in. round	—	40	100	100	80	30	—	90
92-90	Reflector, 2 in. hexagon	70	150	150	350	150	200	130	100
92-91	Reflective tape, high temperature	—	—	—	—	—	—	—	—
92-93	Reflector, 3/4 x 1.5 in. rectangular	—	—	50	50	50	25	—	100
92-97	Reflector, 2 in. ²	—	90	150	200	80	50	—	80
92-98	Reflector, 2 3/4 in. ²	—	100	150	200	80	50	—	70
92-99	Reflective tape, polarized	—	40	70	100	50	30	—	—
92-100	Reflective tape, nonpolarized	—	—	—	—	—	—	—	—
92-104	Reflective tape, 8.5 x 11 in.	25	50	50	70	30	40	—	70
92-105	Reflector, 1 1/4 in. round	—	40	75	100	120	200	70	90
92-106	Reflector, 1 1/4 in. round	—	40	75	100	120	200	70	90
92-107	Reflector, 3/4 x 4 3/4 in. rectangular	—	50	100	100	60	60	—	110
92-108	Reflector, 4 in. ² square	250	150	100	120	90	150	—	100
92-109	Reflector, 2 in. ² square	100	150	100	100	90	150	150	110
92-111	Reflector, 2 x 1, rectangular	20	50	90	100	60	100	—	—
92-112	Reflector, 2.8 x 3/4 in. rectangular	20	60	100	100	60	110	—	100
92-113	Reflector, 1.6 x 2 1/4 in. rectangular	90	115	50	90	50	170	210	110
92-114	Reflector, 1 1/4 in. round	20	70	70	90	20	—	110	110
92-115	Reflector, 1 1/4 in. round	20	70	70	90	20	—	110	110
92-116	Reflector, 1 1/4 in. round	20	70	70	90	20	—	110	110
92-117	Reflector, 1 1/2 x 2 1/4 in. rectangular	30	130	140	200	60	50	30	100
92-118	Reflector, 2 x 2 rectangular	80	70	50	50	30	—	260	90

For more information on the theory of retroreflective sensing, see page 1-22. Some variation may be seen across the reflector. Data was measured with reflector rotating to normalize reflectance.