

PRODUCT PROFILE

Bulletin 700-SH “Hockey Puck” Style Solid State Relays

Increased Load Capacities to Meet Your Needs

Advantages

- Solid State engineering provides millions of electrical operations, reducing product replacement and down time
- Superior resistance to shock/vibration and mechanical wear maintains reliability and reduces replacement costs
- Electronically designed to decrease power usage and heat generation, which reduces panel space requirements

The solid state relay switching design does not utilize moving parts or contacts that can wear out, which makes them ideal for harsh environments.

Highlights

- 100 A maximum continuous load (output) current with heat sink
- 60V DC, 265V AC, 530V AC, or 660V AC maximum load voltage range options
- Five different control input voltage options
- LED indicator for input/logic ON/OFF status monitoring
- Protective cover for added safety
- Three passive and two active heat sinks are available for heat dissipation



700-SH Solid State Relay



700-SN50HC Heat Sink



700-SN10 Heat Sink



700-SN25 Heat Sink

Overview

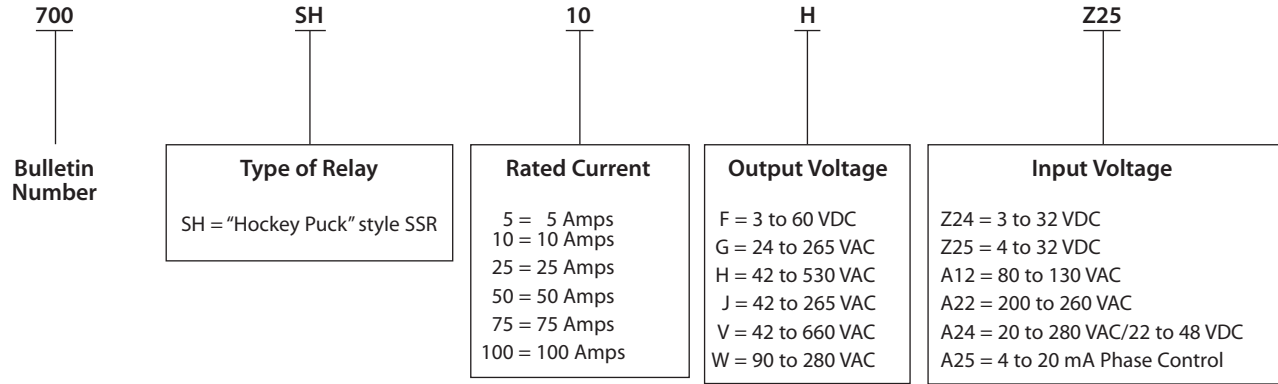
The Allen-Bradley® 700-SH Solid State Relays by Rockwell Automation have expanded into a truly competitive product line. With increased load capacities up to 100 Amps and 660 Volts, the expanded product line can better meet your needs. In addition, the line expansion includes DC load capacity, phase-angle control, and active heat sinks to meet the wide range of solid state relay (SSR) applications.

SSRs are utilized primarily for temperature control in industries such as packaging, food processing, plastics, and HVAC. Their long life, ability to withstand high levels of shock and vibration, and capacity to switch loads at current values up to 100 Amps and 660 Volts allow these solid state relays to exceed the specifications of other switching devices.

SSRs are used:

- When high frequency ON/OFF switching capability is required
- When it is necessary to withstand high levels of shock and vibration
- When it is necessary to switch a load via a SPST-NO device at current levels up to 100 Amps

Product Selection



| Input-to-Output Isolation Method | Switching Type | LED Indicator | Output (Load) Max. Cont. Current & Rated Voltage Range | Rated Input Control Voltage | Cat. No. |
|----------------------------------|----------------------------|----------------------------|--|-----------------------------|---------------------|
| Optocoupler | Zero Cross | Yes | 10A @ 42...265 VAC | 3...32 VDC | 700-SH10JZ24 Ser A |
| | | | 10A @ 42...265 VAC | 80...130 VAC | 700-SH10JA12 Ser A |
| | | | 10A @ 42...265 VAC | 200...260 VAC | 700-SH10JA22 Ser A |
| | | | 10A @ 42...530 VAC | 4...32 VDC | 700-SH10HZ25 Ser B |
| | | | 25A @ 42...530 VAC | 4...32 VDC | 700-SH25HZ25 Ser B |
| | | | 25A @ 24...265 VAC | 3...32 VDC | 700-SH25GZ24 Ser A |
| | | | 25A @ 24...265 VAC | 20...280 VAC / 22...48 VDC | 700-SH25GA24 Ser A |
| | | | 50A @ 24...265 VAC | 3...32 VDC | 700-SH50GZ24 Ser A |
| | | | 50A @ 24...265 VAC | 20...280 VAC / 22...48 VDC | 700-SH50GA24 Ser A |
| | | | 50A @ 42...530 VAC | 4...32 VDC | 700-SH50HZ25 Ser A |
| | | | 25A @ 42...660 VAC | 4...32 VDC | 700-SH25VZ25 Ser A |
| | | | 25A @ 42...660 VAC | 20...280 VAC / 22...48 VDC | 700-SH25VA24 Ser A |
| | | | 50A @ 42...660 VAC | 4...32 VDC | 700-SH50VZ25 Ser A |
| | | | 50A @ 42...660 VAC | 20...280 VAC / 22...48 VDC | 700-SH50VA24 Ser A |
| | | | 75A @ 42...530 VAC | 4...32 VDC | 700-SH75HZ25 Ser A |
| | | | 75A @ 42...530 VAC | 20...280 VAC / 22...48 VDC | 700-SH75HA24 Ser A |
| | | | 75A @ 42...660 VAC | 4...32 VDC | 700-SH75VZ25 Ser A |
| | | | 75A @ 42...660 VAC | 20...280 VAC / 22...48 VDC | 700-SH75VA24 Ser A |
| | | | 100A @ 42...530 VAC | 4...32 VDC | 700-SH100HZ25 Ser A |
| | 100A @ 42...530 VAC | 20...280 VAC / 22...48 VDC | 700-SH100HA24 Ser A | | |
| | 100A @ 42...660 VAC | 4...32 VDC | 700-SH100VZ25 Ser A | | |
| 100A @ 42...660 VAC | 20...280 VAC / 22...48 VDC | 700-SH100VA24 Ser A | | | |
| DC | No | 5A @ 3...60 VDC | 3...32 VDC | 700-SH5FZ24 Ser A | |
| Analog* | Yes | 25A @ 90...280 VAC | 4...20mADC | 700-SH25WA25 Ser A | |
| | | 50A @ 90...280 VAC | 4...20mADC | 700-SH50WA25 Ser A | |

* This type is also called Phase Angle

www.rockwellautomation.com

Power, Control and Information Solutions Headquarters

Americas: Rockwell Automation, 1201 South Second Street, Milwaukee, WI 53204-2496 USA, Tel: (1) 414.382.2000, Fax: (1) 414.382.4444

Europe/Middle East/Africa: Rockwell Automation, Vorstlaan/Boulevard du Souverain 36, 1170 Brussels, Belgium, Tel: (32) 2 663 0600, Fax: (32) 2 663 0640

Asia Pacific: Rockwell Automation, Level 14, Core F, Cyberport 3, 100 Cyberport Road, Hong Kong, Tel: (852) 2887 4788, Fax: (852) 2508 1846