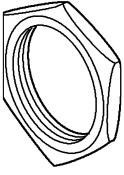


## Mounting Nuts For Tubular Proximity Sensors

### Brass

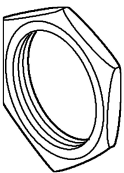


8, 12, 18, and 30 mm

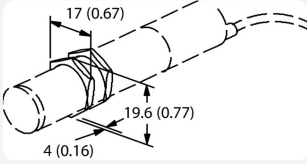
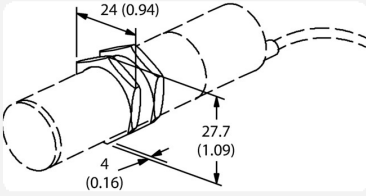
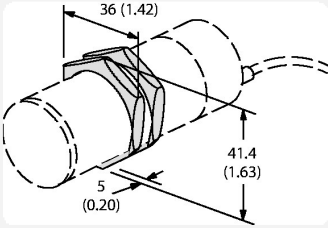
Proximity Tube Diameter [mm (in.)]	Thread Size	Approximate Dimensions [mm (in.)]	Cat. No.	
			Nickel-Plated	PTFE-Coated
8 (0.31)	M8 x 1		871C-N1	—
12 (0.47)	M12 x 1		871C-N2	871A-NBT12
18 (0.71)	M18 x 1		871C-N3	871A-NBT18
30 (1.18)	M30 x 1.5		871C-N4	871A-NBT30

Note: Each cat. no. includes two mounting nuts.

### Stainless Steel

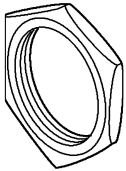


8, 12, 18, and 30 mm

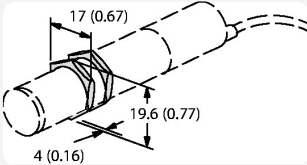
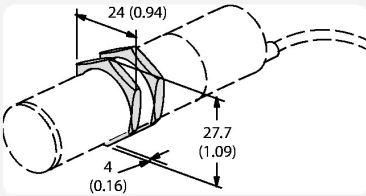
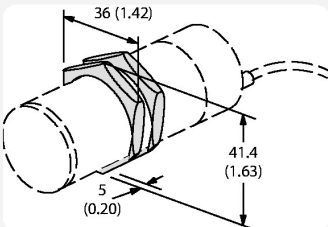
Proximity Tube Diameter [mm (in.)]	Thread Size	Approximate Dimensions [mm (in.)]	Cat. No.
12 (0.47)	M12 x 1		871T-N2
18 (0.71)	M18 x 1		871T-N4
30 (1.18)	M30 x 1.5		871T-N8

**Note:**Each cat. no. includes two mounting nuts.

### Plastic



8, 12, 18, and 30 mm

Proximity Tube Diameter [mm (in.)]	Thread Size	Approximate Dimensions [mm (in.)]	Cat. No.
12 (0.47)	M12 x 1		871T-N1
18 (0.71)	M18 x 1		871T-N3
30 (1.18)	M30 x 1.5		871C-N5

**Note:**Each cat. no. includes two mounting nuts.