

# Receptacles

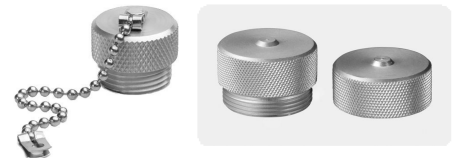
## Accessories

### Locking Clips



Description	Material	Pkg. Quantity	Connector Style	Cat. No.
Clam shell design clips over the three-phase power media drop connection, to limit customer access.	ABS/PC plastics	10	M22 Connector	280-MTR22-LC
Clam shell design clips over the three-phase power media trunk connection, to limit customer access.			M35 Connector	280-MTR35-LC

### Sealing Caps



Connector Style	Material	Enclosure Type Rating	Thread Configuration	Dimensions	Cat. No.
Control Power (M22)	Aluminum grey, anodized	IP20	External, male	<p>7/8 in. -16 UN 2 A Threads</p> <p>Gasket</p>	1485A-C1
			Internal, female	<p>7/8 in. -16 UN 2 B Threads</p> <p>Gasket</p>	889A-NCAP
3-Phase Power (M35)		IP67, NEMA 4 & 6P: 1200 psi washdown	External, male	<p>1-3/8 in. -16 UN 2A Threads</p> <p>Gasket</p>	889A-QMCAP
			Internal, female	<p>1-3/8 in. -16 UN 2B Threads</p> <p>Gasket</p>	889A-QCAP

### Mounting Nuts and Flat Seals

Description	Pkg. Quantity	Cat. No.
Mounting nuts for 1/2 in. -14 NPT threaded receptacles	10	889A-U1NUT-10
Flat sealing washers for 1/2 in. -14 NPT threaded receptacles		889A-U1FSL-10

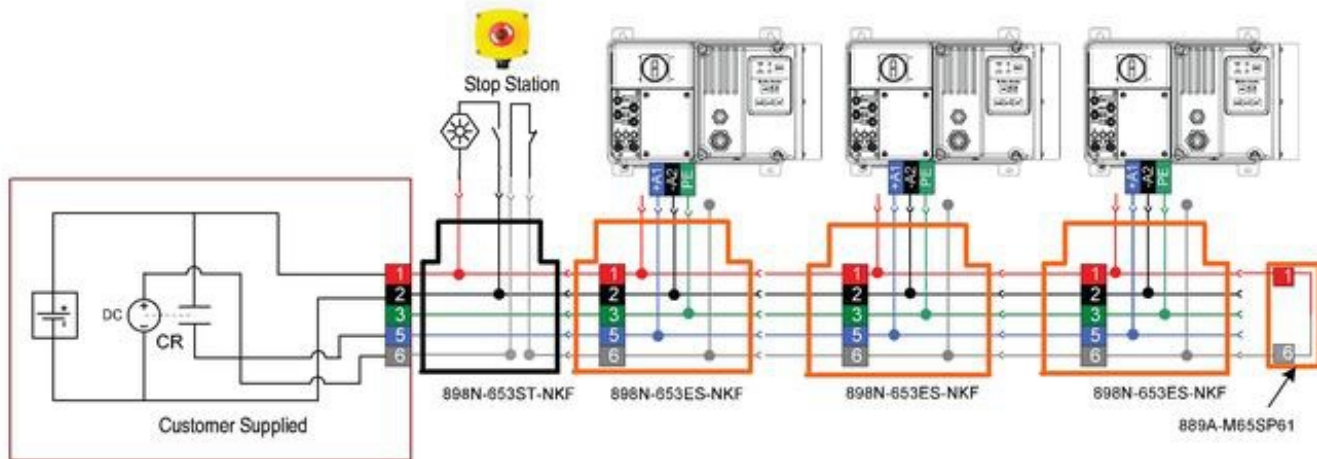
### On-Machine Stop Stations



Enclosure Type	Quick Connect	Knockout Type	Operator	Illumination Voltage	Contact Configuration	Cat. No.
Plastic	Mini Receptacle	Metric	Twist-to-Release 40 mm	24V AC/DC	1 N.O./1 N.C.	800F-1YMQ4
				120V AC		800F-1YMQ5
				240V AC		800F-1YMQ6
Metal				24V AC/DC		800F-1MYMQ4
				120V AC		800F-1MYMQ5
				240V AC		800F-1MYMQ6

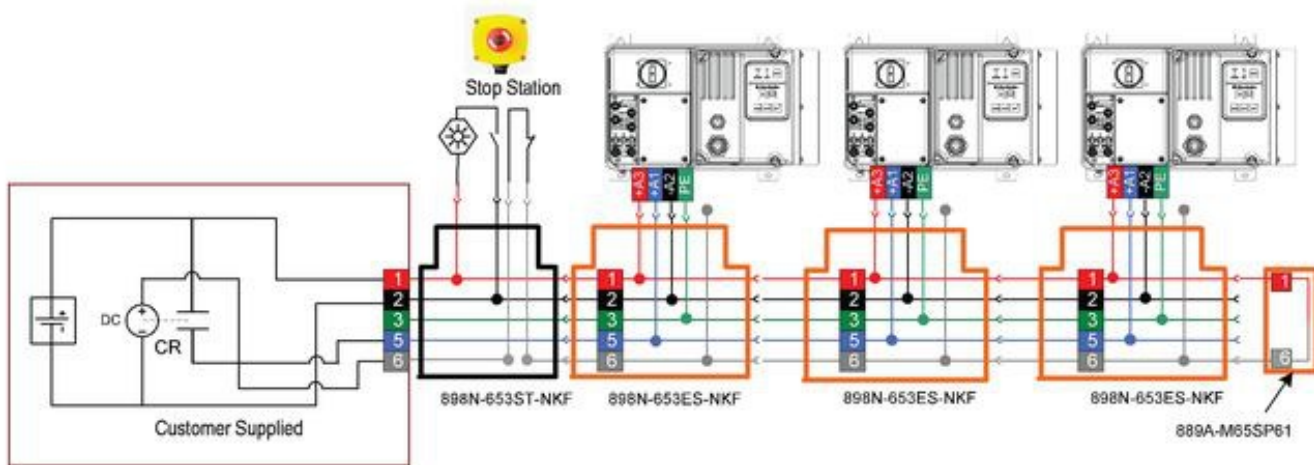
**Example Stop Circuit for DeviceNet/ArmorPoint Bus Version**

Pin 1	Red	No connection
Pin 2	Black	A2 (-)
Pin 3	Green	PE
Pin 4	Blank	Not used
Pin 5	Blue	A1 (+)
Pin 6	White	Not Used



**Example Stop Circuit for EtherNet/IP Bus Version**

Pin 1	Red	A3
Pin 2	Black	A2 (-)
Pin 3	Green	PE
Pin 4	Blank	Not used
Pin 5	Blue	A1 (+)
Pin 6	White	Not Used



**Mounting Nuts and Flat Seals**

Description	Pkg. Quantity	Cat. No.
Mounting nuts for 1/2 in. -14 NPT threaded receptacles	10	889A-U1NUT-10
Flat sealing washers for 1/2 in. -14 NPT threaded receptacles		889A-U1FSL-10