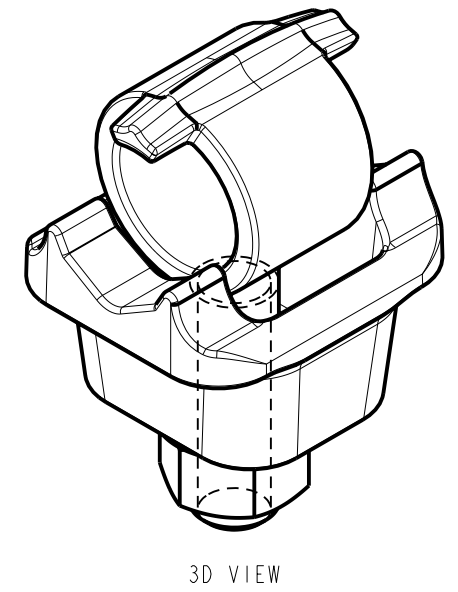
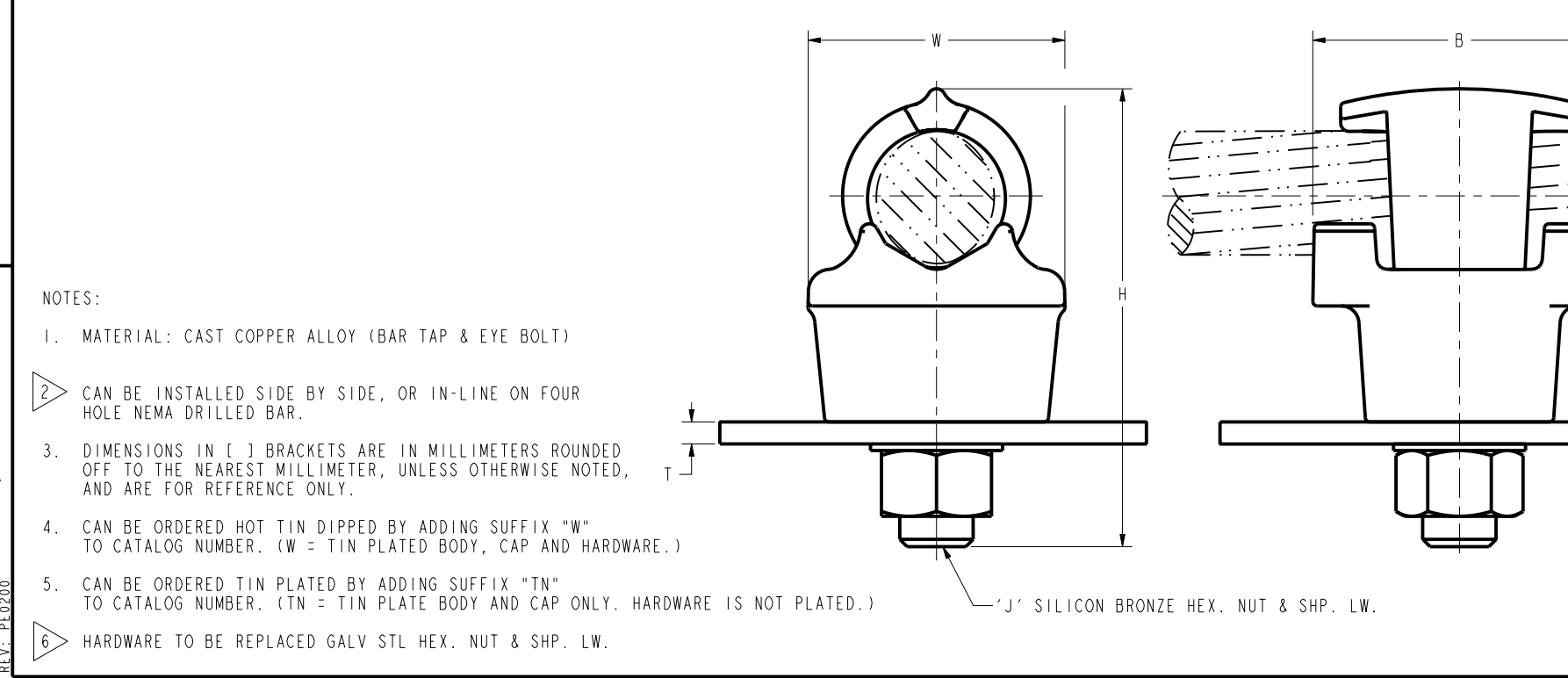


CATALOG NUMBER	COPPER CONDUCTOR ACCOMMODATED				B	H	J	T MAX.	W	TORQUE Lb*In [N*m]
	AWG		METRIC WIRE SIZE							
	MIN.	MAX.	MIN.	MAX.						
QGFL1CB1	#10 SOL (.102)	#1 STR (.332)	6mm <sup>2</sup> SOL [2.8]	35mm <sup>2</sup> STR [7.6]	1.12 [28]	1.88 [48]	3/8-16	.25 [6]	1.00 [25]	240 [27]
QGFL1CBIT6					2.38 [60]	.75 [19]				
QGFL26B2	#8 SOL (.129)	2/0 STR (.419)	10mm <sup>2</sup> SOL [3.6]	50mm <sup>2</sup> STR [9.3]	1.20 [30]	2.32 [59]	1/2-13	.25 [6]	1.16 [29]	480 [54]
QGFL26B2T6					2.82 [72]	.75 [19]				
QGFL26B2T6J58					3.50 [89]	1.12 [28]	3/8-16	.25 [6]	1.12 [28]	660 [75]
QGFL26B1					2.54 [65]	.75 [19]				
QGFL29B1	#6 STR (.184)	250 Kcmil (.575)	16mm <sup>2</sup> STR [5.1]	120mm <sup>2</sup> STR [14.4]	1.40 [36]	2.50 [64]	3/8-16	.25 [6]	1.38 [35]	240 [27]
QGFL29BIT6					3.00 [76]	.75 [19]				
QGFL29BIT10					3.50 [89]	1.25 [32]				
QGFL31B1	#2 SOL (.258)	350 Kcmil (.681)	35mm <sup>2</sup> STR [7.6]	150mm <sup>2</sup> STR [16.0]	1.75 [44]	2.78 [71]	1/2-13	.25 [6]	1.56 [40]	480 [54]
QGFL31BIT6					3.28 [83]	.75 [19]				
QGFL34B1	1/0 SOL (.325)	500 Kcmil (.814)	70mm <sup>2</sup> STR [10.9]	240mm <sup>2</sup> STR [20.3]	2.00 [51]	3.12 [79]		1/2-13		
QGFL34BIT6					3.56 [90]	.75 [19]				
QGFL39B1	350 Kcmil (.681)	750 Kcmil (.998)	185mm <sup>2</sup> STR [17.8]	400mm <sup>2</sup> STR [26.1]	2.25 [57]	3.25 [83]	5/8-11	.25 [6]	1.88 [48]	
QGFL39BIT6					3.68 [93]	.75 [19]				
QGFL44B1	750 Kcmil (.998)	1000 Kcmil (1.152)	400mm <sup>2</sup> STR [26.1]	500mm <sup>2</sup> STR [28.3]	3.38 [86]	4.07 [103]		1/2-13		.25 [6]
QGFL44BIT6					4.07 [103]	.75 [19]				
QGFL44B2	750 Kcmil (.998)	1000 Kcmil (1.152)	400mm <sup>2</sup> STR [26.1]	500mm <sup>2</sup> STR [28.3]	2.25 [57]	3.50 [89]	5/8-11	.25 [6]	2.12 [54]	
QGFL44B2T6					4.31 [109]	.75 [19]				
QGFL46B1	1000 Kcmil (1.152)	1500 Kcmil (1.412)	500mm <sup>2</sup> STR [28.3]	800mm <sup>2</sup> STR [36.9]	2.25 [57]	4.00 [102]	1/2-13	.25 [6]	2.50 [64]	
QGFL46BIT6					4.50 [114]	.75 [19]				
QGFL48B1	1500 Kcmil (1.412)	2000 Kcmil (1.632)	800mm <sup>2</sup> STR [36.9]	1000mm <sup>2</sup> STR [41.1]	4.75 [121]	5.25 [133]		1/2-13		.25 [6]
QGFL48BIT6					5.25 [133]	.75 [19]				
QGFL34G1	1/0 SOL (.325)	500 Kcmil (.814)	70mm <sup>2</sup> STR [10.9]	240mm <sup>2</sup> STR [20.3]	1.75 [44]	3.12 [79]	1/2-13	.25 [6]	1.75 [44]	
QGFL34G2					3.56 [90]	.75 [19]				
QGFL44G1	750 Kcmil (.998)	1000 Kcmil (1.152)	400mm <sup>2</sup> STR [26.1]	500mm <sup>2</sup> STR [28.3]	3.38 [86]	4.07 [103]		1/2-13		.25 [6]
QGFL44G2					4.07 [103]	.75 [19]				
QGFL44G3	2/0 SOL (.365)	1000 Kcmil (1.152)	70mm <sup>2</sup> STR [10.9]	500mm <sup>2</sup> STR [28.3]	1.88 [48]	4.44 [113]	1/2-13	.75 [19]	200 [51]	
QGF44G8					4.44 [113]	.75 [19]				



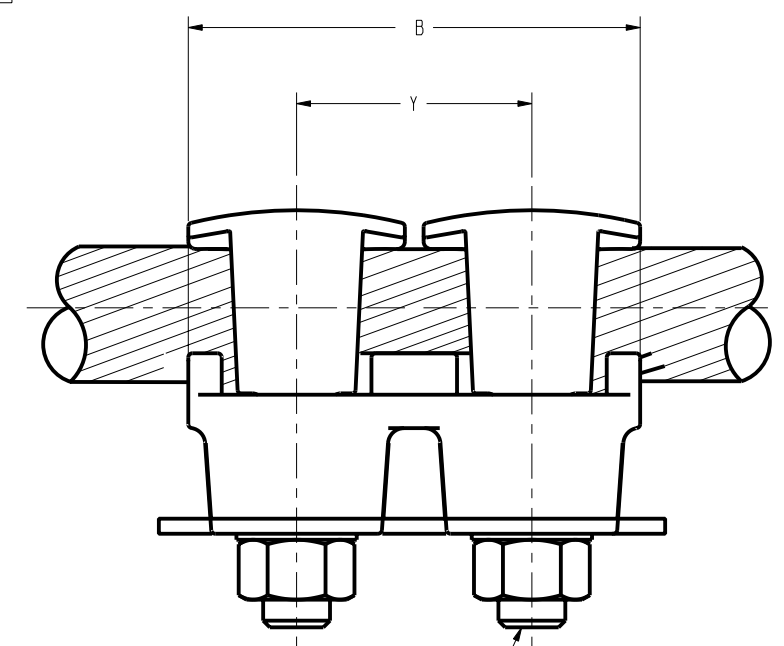
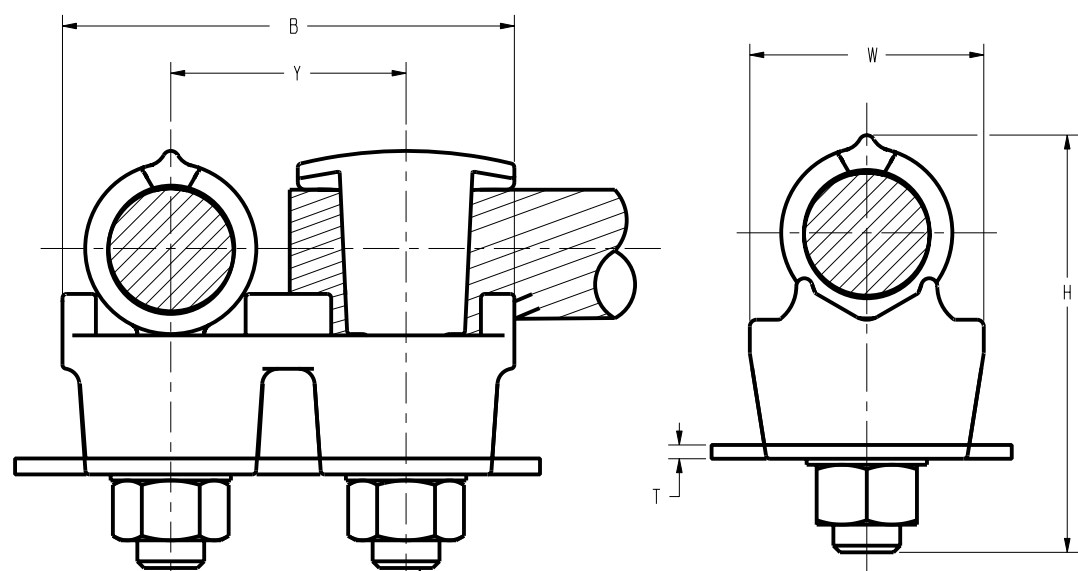
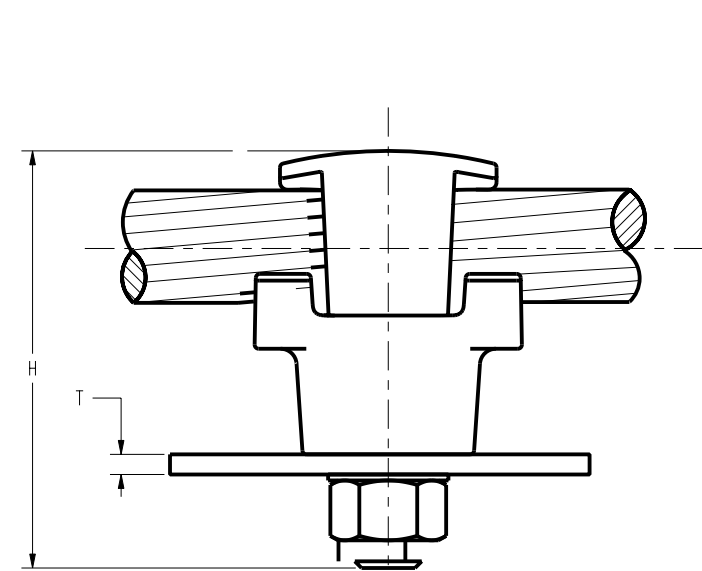
TO ORDER BURNDY® PRODUCTS CALL  
 UNITED STATES  
 1-800-346-4175 (LONDONDERRY, NH)  
 CANADA:  
 1-800-361-6975 (QUEBEC)  
 1-800-387-6487 (ALL OTHER PROVINCES)  
 FOR PRODUCT INFO: <http://www.burndy.com>

ITEM NO: N/A		QIK BARTAPT™	
CAT. NO: QGFL- (TABLE)			
DRAWN BY: M KATHIR	05/04/16	<b>BURNDY</b>	
CHECKER: R LAVOIE	05/09/16		
DSN APPVL: R LAVOIE	05/09/16		
MFG APPVL: G ORDONEZ	05/16/16		
QA APPVL: E VARGAS	05/17/16		
MKT APPVL: B KEENAN	05/10/16	SCALE: 1:1	
PROD FAM: SUBSTATION	DRAWING NO	REV	
PROJECT #: --	SIZE	SA045357	F
DOCUMENT TYPE: Sales	D	SHEET 1 OF 2	
REL LEVEL: Released			

DRAWING NO.  
SA045357

REVI	DATE	DESCRIPTION	ECO	BY	C'H'K.
F	05/03/2016 00:00:00 AM	MODIFY SALE'S DRAWING TO ADD A LINE FOR QGFL26B1J58	43765	MK	RL

COPPER CONDUCTOR ACCOMMODATED				CATALOG NUMBER	FIG. NO.	B	H	J	T MAX.	W	Y	TORQUE Lb*In [N*m]
AWG		METRIC WIRE SIZE										
MIN.	MAX.	MIN.	MAX.									
D	#10 SOL (.102)	#1 STR (.332)	6mm <sup>2</sup> SOL [2.8]	35mm <sup>2</sup> STR [7.6]	2	2.38 [60]	1.88 [48]	3/8-16	.25 [6]	1.12 [28]	1.25 [32]	240 [27]
	#8 SOL (.129)	2/0 STR (.419)	10mm <sup>2</sup> SOL [3.6]	50mm <sup>2</sup> STR [9.3]	3	3.25 [83]	2.38 [60]	1/2-13	.25 [6]	1.50 [38]	1.75 [44]	480 [54]
	#6 STR (.184)	250 Kcmil (.575)	16mm <sup>2</sup> STR [5.1]	120mm <sup>2</sup> STR [14.4]	3	2.50 [64]	2.00 [51]	3/8-16	.25 [6]	1.25 [32]	1.38 [35]	240 [27]
	#2 SOL (.258)	350 Kcmil (.681)	35mm <sup>2</sup> STR [7.6]	150mm <sup>2</sup> STR [16.0]	3	3.38 [86]	2.62 [67]	1/2-13	.25 [6]	1.62 [41]	1.75 [44]	480 [54]
	1/0 SOL (.325)	500 Kcmil (.814)	70mm <sup>2</sup> STR [10.9]	240mm <sup>2</sup> STR [20.3]	3	3.50 [89]	2.75 [70]	1/2-13	.25 [6]	1.75 [44]	1.75 [44]	480 [54]
350 Kcmil (.681)	750 Kcmil (.998)	185mm <sup>2</sup> STR [17.8]	400mm <sup>2</sup> STR [26.1]	3	3.38 [86]	3.12 [79]	1/2-13	.25 [6]	1.88 [48]	1.75 [44]	480 [54]	
												QQGFL31B1
750 Kcmil (.998)	1000 Kcmil (1.152)	400mm <sup>2</sup> STR [26.1]	500mm <sup>2</sup> STR [28.3]	3	4.00 [102]	3.25 [83]	1/2-13	.25 [6]	2.12 [54]	1.75 [44]	480 [54]	
												QQGFL31B1T6
1000 Kcmil (1.152)	1500 Kcmil (1.412)	500mm <sup>2</sup> STR [28.3]	800mm <sup>2</sup> STR [36.9]	3	3.38 [86]	3.56 [90]	1/2-13	.25 [6]	1.88 [48]	1.75 [44]	480 [54]	
												QQGFL34B1
1500 Kcmil (1.412)	2000 Kcmil (1.632)	800mm <sup>2</sup> STR [36.9]	1000mm <sup>2</sup> STR [41.1]	3	4.00 [102]	3.68 [93]	1/2-13	.25 [6]	2.12 [54]	1.75 [44]	480 [54]	
												QQGFL34B1T6
1500 Kcmil (1.412)	2000 Kcmil (1.632)	800mm <sup>2</sup> STR [36.9]	1000mm <sup>2</sup> STR [41.1]	3	4.00 [102]	4.07 [103]	1/2-13	.25 [6]	2.50 [64]	1.75 [44]	480 [54]	
												QQGFL39B1
1500 Kcmil (1.412)	2000 Kcmil (1.632)	800mm <sup>2</sup> STR [36.9]	1000mm <sup>2</sup> STR [41.1]	3	4.00 [102]	4.50 [114]	1/2-13	.25 [6]	3.00 [76]	1.75 [44]	480 [54]	
												QQGFL39B1T6
1500 Kcmil (1.412)	2000 Kcmil (1.632)	800mm <sup>2</sup> STR [36.9]	1000mm <sup>2</sup> STR [41.1]	3	4.00 [102]	4.75 [121]	1/2-13	.25 [6]	3.00 [76]	1.75 [44]	480 [54]	
												QQGFL44B1
1500 Kcmil (1.412)	2000 Kcmil (1.632)	800mm <sup>2</sup> STR [36.9]	1000mm <sup>2</sup> STR [41.1]	3	4.00 [102]	5.25 [133]	1/2-13	.25 [6]	3.00 [76]	1.75 [44]	480 [54]	
												QQGFL44B1T6
1500 Kcmil (1.412)	2000 Kcmil (1.632)	800mm <sup>2</sup> STR [36.9]	1000mm <sup>2</sup> STR [41.1]	3	4.00 [102]	4.00 [102]	1/2-13	.25 [6]	2.50 [64]	1.75 [44]	480 [54]	
												QQGFL46B1
1500 Kcmil (1.412)	2000 Kcmil (1.632)	800mm <sup>2</sup> STR [36.9]	1000mm <sup>2</sup> STR [41.1]	3	4.00 [102]	4.50 [114]	1/2-13	.25 [6]	3.00 [76]	1.75 [44]	480 [54]	
												QQGFL46B1T6
1500 Kcmil (1.412)	2000 Kcmil (1.632)	800mm <sup>2</sup> STR [36.9]	1000mm <sup>2</sup> STR [41.1]	3	4.00 [102]	4.75 [121]	1/2-13	.25 [6]	3.00 [76]	1.75 [44]	480 [54]	
												QQGFL48B1
1500 Kcmil (1.412)	2000 Kcmil (1.632)	800mm <sup>2</sup> STR [36.9]	1000mm <sup>2</sup> STR [41.1]	3	4.00 [102]	5.25 [133]	1/2-13	.25 [6]	3.00 [76]	1.75 [44]	480 [54]	
												QQGFL48B1T6



NOTES:

- MATERIAL: CAST COPPER ALLOY DURIUM™ (NUT AND LOCKWASHERS)
- CROSS GROOVES IN CONNECTOR BODY PERMITS EYEBOLTS TO BE ROTATED FOR INSTALLING CONDUCTORS IN PARALLEL, IN-LINE OR IN A TREE CONFIGURATION.
- BOLT SPACING (Y=1.75) & CONNECTOR WIDTH (W=1.75 MAX.) PERMITS INSTALLING ASSEMBLY IN-LINE ON TWO HOLE NEMA DRILLING OR SIDE-BY-SIDE ON FOUR HOLE NEMA DRILLING.
- THESE CONNECTORS WILL ONLY PERMIT CONDUCTORS TO BE INSTALLED IN-LINE.
- DIMENSIONS IN BRACKETS [ ] ARE IN MILLIMETERS ROUNDED OFF TO THE NEAREST MILLIMETER, UNLESS OTHERWISE NOTED, AND ARE FOR REFERENCE ONLY.
- CAN BE ORDERED HOT TIN DIPPED BY ADDING SUFFIX "W" TO CATALOG NUMBER.
- CAN BE ORDERED TIN PLATED BY ADDING SUFFIX "TN" TO CATALOG NUMBER

TO ORDER BURNDY® PRODUCTS CALL		QIK BARTAP™	
UNITED STATES 1-800-346-4175 (LONDONDERRY, NH)		ITEM NO: N/A	CAT. NO: QGFL- (TABLE)
CANADA: 1-800-361-6975 (QUEBEC) 1-800-387-6487 (ALL OTHER PROVINCES)		DRAWN BY: M KATHIR 12/28/60	CHECKER: R LAVOIE 05/09/16
FOR PRODUCT INFO: <a href="http://www.burndy.com">http://www.burndy.com</a>		DSN APPVL: R LAVOIE 05/09/16	MFG APPVL: G ORDONEZ 05/16/16
		QA APPVL: E VARGAS 05/17/16	MKT APPVL: B KEENAN 05/10/16
		PROJ #: --	SCALE: 1:1
		DOCUMENT TYPE: Sales	DRAWING NO: SA045357
		REL LEVEL: Released	SHEET 2 OF 2

REV: PE0200