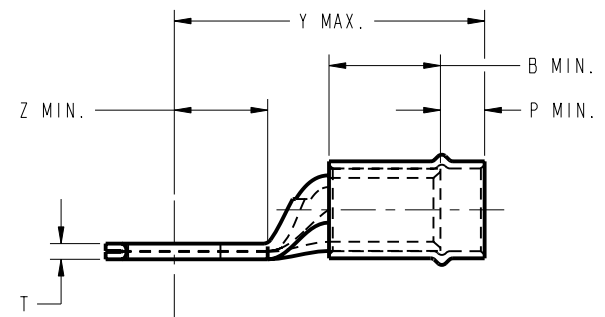
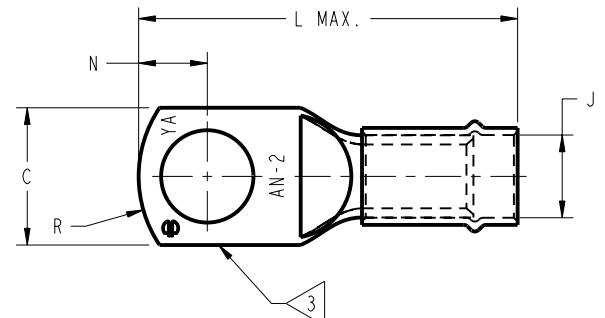


DRAWING NO.
SD033561

CATALOG NUMBER	COPPER AIRCRAFT CABLE MIL-W-5086	MS25036 DASH NO.	STUD SIZE	B MIN.	C ±.020	L MAX.	N ±.010	P MIN.	T ±.015	Y MAX.	Z MIN.	J MAX. WIRE INSUL. DIA.	COLOR	INSTAL. TOOL INDEX NO.	REFERENCE DRAWING
YAEV8CL15	AN-8	---	6	.356 [9]	.407 [10]	1.397 [35]	.203 [5]	.125 [3]	.069 [2]	1.184 [30]	.278 [7]	.257 [6]	RED	355	FD065888
YAEV8CL14	AN-8	---	8		.407 [10]	1.397 [35]	.203 [5]		.069 [2]	1.184 [30]	.278 [7]				
YAEV8CL	AN-8	115	10		.407 [10]	1.397 [35]	.203 [5]		.069 [2]	1.184 [30]	.278 [7]				
YAEV8CL31	AN-8	---	10-5 mm		.407 [10]	1.385 [35]	.203 [5]		.069 [2]	1.152 [29]	.246 [6]				
YAEV8CL1	AN-8	116	1/4		.455 [12]	1.466 [37]	.228 [6]		.069 [2]	1.228 [31]	.322 [8]				
YAEV8CL2	AN-8	117	5/16		.568 [14]	1.544 [39]	.284 [7]		.055 [1]	1.250 [32]	.344 [9]				
YAEV8CL3	AN-8	118	3/8		.568 [14]	1.544 [39]	.284 [7]		.055 [1]	1.250 [32]	.344 [9]				
YAEV8CL32	AN-8	---	3/8-10 mm	.568 [14]	1.544 [39]	.284 [7]	.055 [1]	1.250 [32]	.344 [9]						
YAEV8CL4	AN-8	---	1/2	.730 [19]	1.772 [45]	.375 [10]	.048 [1]	1.387 [35]	.476 [12]						
YAEV6CL1M	AN-6	119	8-10	.418 [11]	.480 [12]	1.559 [40]	.240 [6]	.125 [3]	.069 [2]	1.309 [33]	.288 [7]	.310 [8]	BLUE	USE MS023002-06	FD075993
YAEV6CLM	AN-6	120	1/4		.480 [12]	1.559 [40]	.240 [6]		.069 [2]	1.309 [33]	.288 [7]				
YAEV6CL4M	AN-6	121	5/16		.600 [15]	1.682 [43]	.300 [8]		.060 [2]	1.372 [35]	.351 [9]				
YAEV6CL2M	AN-6	122	3/8		.600 [15]	1.682 [43]	.300 [8]		.060 [2]	1.372 [35]	.351 [9]				
YAEV6CL26	AN-6	---	3/8-10 mm		.600 [15]	1.682 [43]	.300 [8]		.060 [2]	1.372 [35]	.351 [9]				
YAEV6CL10	AN-6	---	1/2		.730 [19]	1.894 [48]	.375 [10]		.053 [1]	1.509 [38]	.488 [12]				
YAEV6CL25	AN-6	---	10-5 mm		.488 [12]	1.559 [40]	.240 [6]		.069 [2]	1.309 [33]	.288 [7]				
YAEV4CL3	AN-4	---	10	.437 [11]	.547 [14]	1.620 [41]	.250 [6]	.407 [10]	.081 [2]	1.360 [35]	.277 [7]	.370 [9]	YELLOW	340	FD065890
YAEV4CL21	AN-4	---	10-5 mm		.547 [14]	1.645 [42]	.275 [7]		.081 [2]	1.360 [35]	.277 [7]				
YAEV4CL	AN-4	123	1/4		.547 [14]	1.620 [41]	.250 [6]		.081 [2]	1.360 [35]	.277 [7]				
YAEV4CL31	AN-4	---	1/4		.547 [14]	1.645 [42]	.275 [7]		.081 [2]	1.360 [35]	.277 [7]				
YAEV4CL4	AN-4	124	5/16		.625 [16]	1.736 [44]	.313 [8]		.062 [2]	1.413 [36]	.330 [8]				
YAEV4CL2	AN-4	125	3/8		.625 [16]	1.736 [44]	.313 [8]		.062 [2]	1.413 [36]	.330 [8]				
YAEV4CL22	AN-4	---	3/8-10 mm		.625 [16]	1.736 [44]	.313 [8]		.062 [2]	1.413 [36]	.330 [8]				
YAEV4CL5	AN-4	---	1/2	.730 [19]	1.933 [49]	.375 [10]	.068 [2]	1.548 [39]	.465 [12]						
YAEV2CL3	AN-2	---	10	.565 [14]	.688 [17]	2.025 [51]	.344 [9]	.175 [4]	.094 [2]	1.671 [42]	.349 [9]	.453 [12]	RED	353	FD065891
YAEV2CL1	AN-2	126	1/4		.688 [17]	2.025 [51]	.344 [9]		.094 [2]	1.671 [42]	.349 [9]				
YAEV2CL2	AN-2	---	5/16		.688 [17]	2.025 [51]	.344 [9]		.094 [2]	1.671 [42]	.349 [9]				
YAEV2CL	AN-2	127	3/8		.688 [17]	2.025 [51]	.344 [9]		.094 [2]	1.671 [42]	.349 [9]				
YAEV2CL26	AN-2	---	3/8-10 mm		.688 [17]	2.025 [51]	.344 [9]		.094 [2]	1.671 [42]	.349 [9]				
YAEV2CL11	AN-2	---	7/16		.770 [20]	2.180 [55]	.385 [10]		.089 [2]	1.785 [45]	.464 [12]				
YAEV2CL4	AN-2	128	1/2		.770 [20]	2.180 [55]	.385 [10]		.089 [2]	1.785 [45]	.464 [12]				
YAEV2CL52	AN-2	---	3/8	.688 [17]	2.025 [51]	.344 [9]	.094 [2]	1.671 [42]	.349 [9]						

REV	DATE	DESCRIPTION	ECO	BY	C'H'K.
C	7/31/2010 12:00:00 AM	ADDED CORRECT STUD SIZE TO YAEV6CL1	21762	MA	MK



REFERENCE: MS TERMINALS MEET THE REQUIREMENTS OF MIL-T-7928

- NOTES:
- MATERIAL; TERMINAL - COPPER TUBING INSULATION - 6/6 NYLON
 - FINISH: TERMINAL - TIN PLATED
 - DUE TO METHODS OF MANUFACTURING, SERRATIONS APPEAR ON TONGUE.

- ADD SUFFIX "M" TO CATALOG NUMBER TO CONFORM TO MS025036 STANDARD FOR THESE ITEMS ONLY. (I.E. YAEV6CL1M)
- DIMENSIONS IN [] BRACKETS ARE IN MILLIMETERS, ROUNDED OFF TO THE NEAREST MILLIMETER, UNLESS OTHERWISE NOTED. METRIC DIMENSIONS ARE FOR REFERENCE ONLY.
- ADD SUFFIX "SV" TO CATALOG NUMBER TO ADD SILVER PLATING.

TO ORDER BURNDY® PRODUCTS CALL
 UNITED STATES
 1-800-346-4175 (LONDONDERRY, NH)
 CANADA:
 1-800-361-6975 (QUEBEC)
 1-800-387-6487 (ALL OTHER PROVINCES)
 FOR PRODUCT INFO: <http://www.burndy.com>

ITEM NO:		N/A	
CAT. NO:		YAEVL (SEE TABLE)	
DRAWN BY:	M KOVILRAJ	11/24/09	
CHECKER:	P WASON	12/18/09	
DSN APPVL:	P WASON	12/18/09	
MFG APPVL:	M BAILLY	03/02/10	
QA APPVL:	J BRODEUR	12/22/09	
MKT APPVL:	J SYLVIA	12/18/09	
PROD FAM:	CM&R	DRAWING NO	SD033561
PROJECT #:	--	SIZE	D
DOCUMENT TYPE:	Sales	SHEET	1 OF 2
REL LEVEL:	Released	REV	C

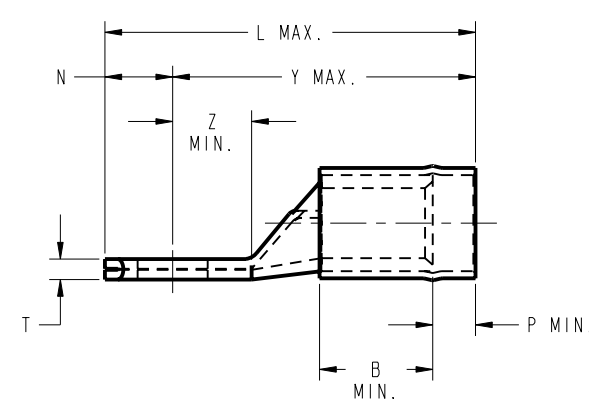
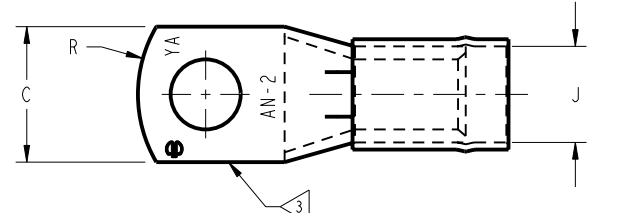


REV: PE0200

DRAWING NO.
SD033561

CATALOG NUMBER	COPPER AIRCRAFT CABLE MIL-W-5086	MS25036 DASH NO.	STUD SIZE	B MIN.	C ±.020	6		P MIN.	T ±.015	5		R REF.	J MAX. WIRE INSUL. DIA.	COLOR	INSTAL. TOOL INDEX NO.	REFERENCE				
						L MAX.	N ±.010			Y MAX.	Z MIN.									
YAEVICL6	AN-1	---	10	.565	.760	1.968	.344	.175	.110	1.614	.246	.75	.500	WHITE	401	FD065892				
YAEVICL1		129	1/4			2.061	.344			1.707	.339									
YAEVICL2		---	5/16																	
YAEVICL		130	3/8			2.272	.430			1.832	.464									
YAEVICL12		---	3/8-10mm																	
YAEVICL4		---	7/16			1.060	2.733			.500	.080						2.223	.855		
YAEVICL3		131	1/2																	
YAEVICL5		---	5/8			.630	.830			2.355	.375						.240	.110	1.970	.428
YAEV25CL29	---	10-5mm																		
YAEV25CL1	132	1/4	2.395	.415	.105			2.006	.464											
YAEV25CL2	---	5/16																		
YAEV25CL	133	3/8	2.456	.440	.13 REF.			1.970	.428											
YAEV25CL28	---	3/8-10mm																		
YAEV25CL16	---	7/16	2.672	.500	.110			1.970	.428											
YAEV25CL3	134	1/2																		
YAEV25CL4	---	5/8	2.395	.415	.110			1.970	.428											
YAEV25CL36	---	3/8																		
YAEV25CL37	---	3/8	2.360	.380	.38															
YAEV26CL1	AN-2/0	---	1/4	.747	.934			2.746	.467			.300	.114	2.128	.339	.75				
YAEV26CL2		135	5/16			2.746	.467			2.269	.480									
YAEV26CL		136	3/8																	
YAEV26CL31		---	3/8-10mm			2.746	.467			2.269	.480									
YAEV26CL16		---	7/16																	
YAEV26CL3		137	1/2			2.950	.530			2.410	.621									
YAEV26CL12		---	5/8																	

REV	DATE	DESCRIPTION	ECO	BY	C'H'K.
C	7/31/2010 12:00:00 AM	ADDED CORRECT STUD SIZE TO YAEV6CL1	21762	MA	MK



- NOTES:
- MATERIAL:
TERMINAL - COPPER TUBING
INSULATION - 6/6 NYLON
 - FINISH:
TERMINAL - TIN PLATED
- 3 DUE TO METHODS OF MANUFACTURING, SERRATIONS APPEAR ON TONGUE.
- 4 TO ORDER SILVER PLATED LUGS, ADD SUFFIX "SV" TO CATALOG NUMBER.

REFERENCE: MS TERMINALS MEET THE REQUIREMENTS OF MIL-T-7928

SUPERSEDES: SD33561024, SD046588-07, SD065895.

DESIGN AND METHOD OF MANUFACTURING MUST BE REVIEWED IF QUANTITY EXCEEDS.

TO ORDER BURNDY® PRODUCTS CALL		INSULUG	
UNITED STATES 1-800-346-4175 (LONDONDERRY, NH)		ITEM NO: N/A	CAT. NO: YAEVL (SEE TABLE)
CANADA: 1-800-361-6975 (QUEBEC) 1-800-387-6487 (ALL OTHER PROVINCES)		DRAWN BY: M KOVILRAJ 11/24/09	CHECKER: P WASON 12/18/09
FOR PRODUCT INFO: http://www.burndy.com		DSN APPVL: P WASON 12/18/09	MFG APPVL: M BAILLY 03/02/10
		QA APPVL: J BRODEUR 12/22/09	MKT APPVL: J SYLVIA 12/18/09
		PROD FAM: CM&R	DRAWING NO: SD033561
		PROJECT #: --	SCALE: 2:1
		DOCUMENT TYPE: Sales	REV: C
		REL LEVEL: Released	SHEET 2 OF 2

REV: PE0200