

Circuit Safe® JIC Enclosures



Manufactured from structural foam thermoplastic, Carlton® Circuit Safe® JIC enclosures provide high impact strength to eliminate dents and deformations along with high dielectric strength, excellent weathering capabilities and excellent resistance to a wide range of corrosive agents, acids, alkalines and salts.

These CSA recognized enclosures also withstand wet and dirty environments, while their thick wall construction make them a particularly good choice wherever condensation is a concern. Rated for use in Type 1, 3, 3S, 3X, 3SX, 4, 4X, 12 and 13 environments, Carlton Circuit Safe JIC enclosures are suited for virtually all indoor/outdoor industrial, MRO and OEM applications.

They are available in 10 sizes from 6 x 6 x 5 through 30 x 24 x 12 with a choice of screw or hinged design, opaque covers, or clear polycarbonate covers which protect devices from hostile environments while allowing monitoring of instrumentation and/or electrical functions.

Features

- Les capuchons à charnières retiennent le couvercle captif
- Charnières non métalliques moulées à même le boîtier sur les modèles à charnières
- Aucun coin rugueux, arête ou bavure
- Matériau non conducteur donc aucun danger de choc électrique
- La conception du couvercle fournit plus d'espace utile à l'intérieur du boîtier
- Grand espace intérieur pour faciliter le câblage
- Garniture complète pour assurer l'étanchéité
- Matériau stabilisé aux rayons UV pour usage extérieur

Applications

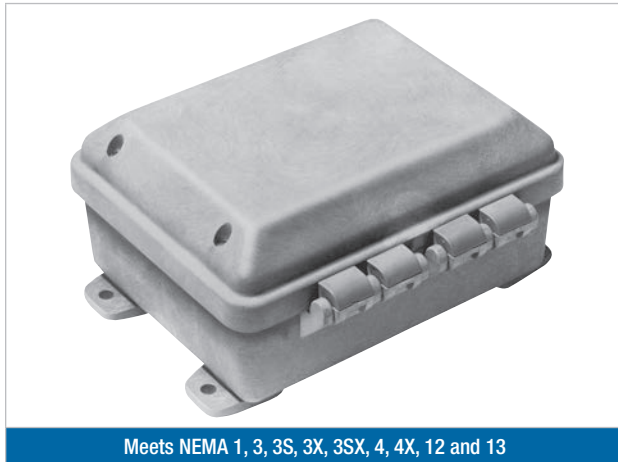
- Instrument case
- Junction and terminal boxes
- Control and switching enclosures
- Splice and pull boxes
- Starter, pushbutton and transformer housings
- Meter and transformer cabinets

Standards

- Meets NEMA Types 1, 3, 3S, 3X, 3SX, 4, 4X, 12 and 13 as indicated
- CSA Certified
- JIC compliance

Circuit Safe® JIC Enclosures

Hinged Covers



Meets NEMA 1, 3, 3S, 3X, 3SX, 4, 4X, 12 and 13

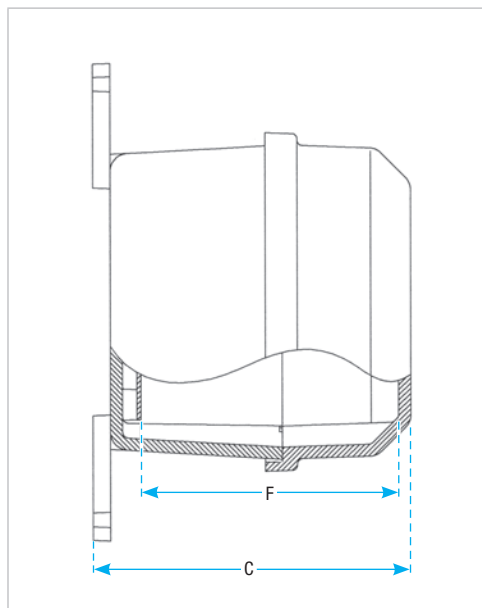
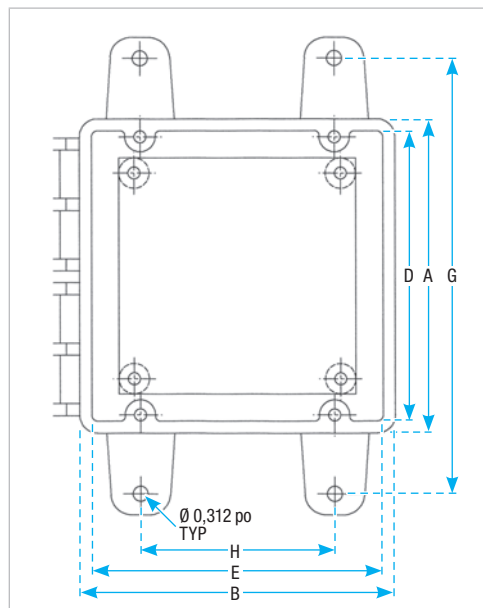
Features

- Nonmetallic mounting feet and all mounting hardware included
- White painted 14 gauge steel or 1/4 in. PVC back panel (order separately)
- 304 (18-8) stainless steel screws (10-32 x 1-1/8 in.)
- Lid design provides greater usable internal volume
- Completely nonmetallic hinges
- Brass screw inserts
- Temperature Range: -34° to 110°C
- Material: polycarbonate molded base and cover

Factory Assembled

Opaque Lid Cat. No.	Clear Lid Cat. No.	External (in.)			Internal (in.)			Mounting (in.)		Std. Wt. (lb.) Opaque/Clear	Back Panel* Cat. No. Steel / PVC	Panel Size (in.)	Std. Wt. (lb.) Steel / PVC
		A	B	C	D	E	F	G	H				
CJ665	CC665	6.50	6.50	6.69	6.00	6.00	5.45	9.00	4.00	1 (opa. 3.5) / 1 (trans. 3.1)	JP66 / JP66P	4.88 x 4.88	1 (1.0) / 1 (0.3)
CJ863	CC863	8.50	6.50	4.49	8.00	6.00	3.25	11.00	4.00	1 (opa. 2.8) / 1 (trans. 3.1)	JP86 / JP86P	6.75 x 4.88	1 (1.0) / 1 (0.78)
CJ1085	CC1085	10.50	8.50	6.69	10.00	8.00	5.45	13.00	6.00	1 (opa. 5.2) / 1 (trans. 5.2)	JP108 / JP108P	8.75 x 6.88	1 (1.5) / 1 (0.7)
CJ12106	CC12106	12.50	10.50	7.69	12.00	10.00	6.45	15.00	8.00	1 (opa. 7.1) / 1 (trans. 8.4)	JP1210 / JP1210P	10.75 x 8.88	1 (2.0) / 1 (1.2)
CJ14126	CC14126	14.50	12.50	7.72	14.00	12.00	6.48	17.00	10.00	1 (opa. 9.0) / 1 (trans. 8.6)	JP1412 / JP1412P	12.75 x 10.88	1 (3.2) / 1 (1.7)
CJ16147	CC16147	16.50	14.50	8.46	16.00	14.00	7.22	19.00	12.00	1 (opa. 10.6) / 1 (trans. 11.9)	JP1614 / JP1614P	14.75 x 12.88	1 (4.7) / 1 (2.3)

*Order back panels separately. Enclosures shipped with mounting feet, hinge caps and screws
For factory installed pad lockable latch (Cat. No. CJTL), contact your Regional Sales Office for price and delivery



Circuit Safe® JIC Enclosures

Screw-On Covers



Meets NEMA 1, 3, 3S, 3X, 3SX, 4, 4X, 12 and 13

Features

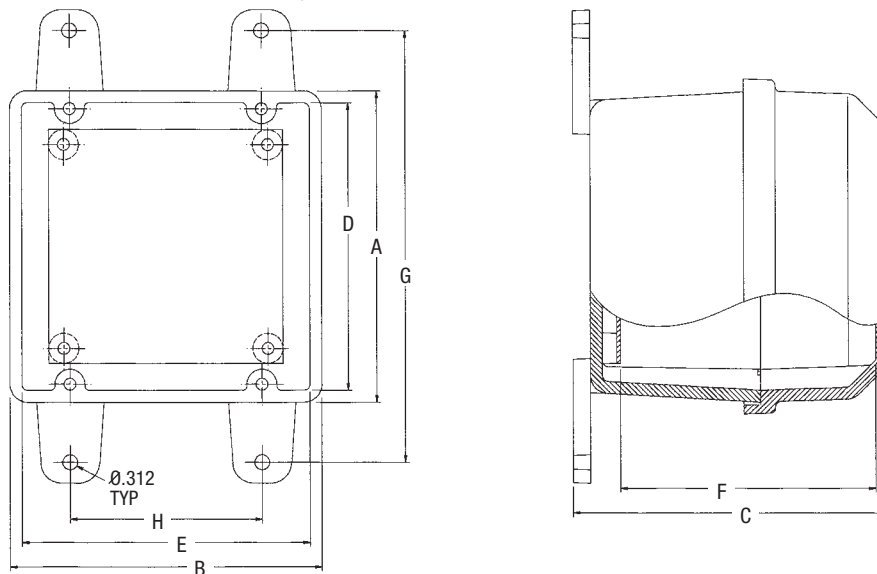
- Nonmetallic mounting feet and all mounting hardware included
- 304 (18-8) stainless steel screws (10-32 x 1-1/8 in.)
- Brass screw inserts
- Clear polycarbonate cover available
- White painted 14 gauge steel or 1/4 in. PVC back panel (order separately)
- Lid design provides greater usable internal volume
- Temperature Range: -34° to 110°C
- Material: polycarbonate molded base and cover

Factory Assembled



Opaque Lid Cat. No.	Clear Lid Cat. No.	External			Internal			Mounting (in.)		Std. Ctn. Qty. (lb.) Opaque/Clear	Back Panel* Cat. No. Steel / PVC	Panel Size (in.)	Std. Ctn. Qty. (lb.) Steel / PVC
		A	B	C	D	E	F	G	H				
CS665	CV665	6.50	6.50	6.69	6.00	6.00	5.45	9.00	4.00	1 (opa. 2.7) / 1 (trans. 2.9)	JP66 / JP66P	4.88 x 4.88	1 (1.0) / 1 (0.3)
CS863	CV863	8.50	6.50	4.49	8.00	6.00	3.25	11.00	4.00	1 (opa. 2.9) / 1 (trans. 2.9)	JP86 / JP86P	6.75 x 4.88	1 (1.0) / 1 (0.78)
CS1085	CV1085	10.50	8.50	6.69	10.00	8.00	5.45	13.00	6.00	1 (opa. 5.0) / 1 (trans. 5.0)	JP108 / JP108P	8.75 x 6.88	1 (1.5) / 1 (0.7)
CS12106	CV12106	12.50	10.50	7.69	12.00	10.00	6.45	15.00	8.00	1 (opa. 6.5) / 1 (trans. 7.2)	JP1210 / JP1210P	10.75 x 8.88	1 (2.0) / 1 (1.2)
CS14126	CV14126	14.50	12.50	7.72	14.00	12.00	6.48	17.00	10.00	1 (opa. 8.0) / 1 (trans. 8.8)	JP1412 / JP1412P	12.75 x 10.88	1 (3.2) / 1 (1.7)
CS16147	CV16147	16.50	14.50	8.46	16.00	14.00	7.22	19.00	12.00	1 (opa. 11.5) / 1 (trans. 10.8)	JP1614 / JP1614P	14.75 x 12.88	1 (4.7) / 1 (2.3)

*Order back panels separately
Enclosures shipped with mounting feet and panel mounting hardware



Circuit Safe® JIC Enclosures

Medium Hinge Covers

Meets NEMA 1, 3, 3S, 3X, 3SX, 4, 4X, 12 and 13



Features

- Nonmetallic mounting feet and all mounting hardware included
- White painted 14 gauge steel or 1/4 in. PVC back panel (order separately)
- 304 (18-8) stainless steel screws (10-32 x 1-1/8 in.)
- Completely nonmetallic hinges
- Brass screw inserts
- Temperature Range: -40° to 85°C
- Material: NORYL base and cover

Factory Assembled

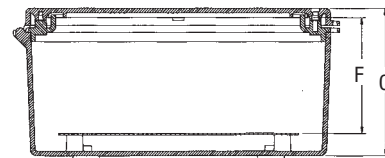
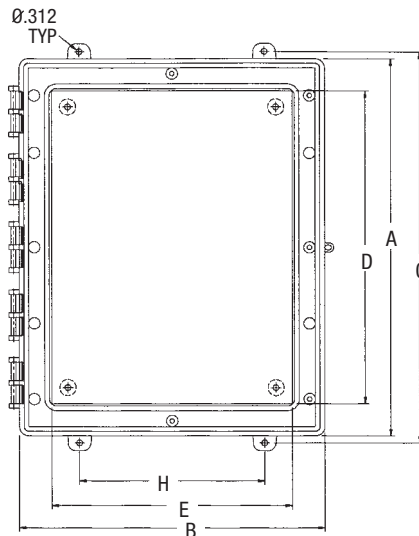
Cat. No.	External			Internal			Mounting (in.)		Std. Ctn. Qty. (lb.)	Back Panel* Cat. No. Steel / PVC	Panel Size	Std. Ctn. Qty. (lb.) Steel / PVC
	A	B	C	D	E	F	G	H				
C2016A4	20.50	16.50	8.36	17.25	13.25	6.28	21.26	10.00	1 (15.1)	NP2016/NP2016P	17 x 13.25	1 (7.0) / 1 (6.1)
C2016B4	20.50	16.50	10.36	17.25	13.25	8.28	21.26	10.00	1 (17.2)	NP2016/NP2016P	17 x 13.25	1 (7.0) / 1 (6.1)
C2016C4	20.50	16.50	12.36	17.25	13.25	10.25	21.26	10.00	1 (19.7)	NP2016/NP2016P	17 x 13.25	1 (7.0) / 1 (6.1)
C2420A4	24.50	20.50	8.36	21.25	17.25	6.28	25.26	14.00	1 (21.5)	NP2420/NP2420P	21 x 17	1 (10.4) / 1 (4.7)
C2420B4	24.50	20.50	10.36	21.25	17.25	8.28	25.26	14.00	1 (24)	NP2420/NP2420P	21 x 17	1 (10.4) / 1 (4.7)
C2420C4	24.50	20.50	12.36	21.25	17.25	10.28	31.26	14.00	1 (24.9)	NP2420/NP2420P	21 x 17	1 (10.4) / 1 (4.7)
C3024A4	30.50	24.50	8.36	27.25	21.25	6.28	31.26	18.00	1 (28.4)	NP3024/NP3024P	27 x 21	1 (18.0) / 1 (9.8)
C3024B4	30.50	24.50	10.36	27.25	21.25	8.28	31.26	18.00	1 (31.4)	NP3024/NP3024P	27 x 21	1 (18.0) / 1 (9.8)
C3024C4	30.50	24.50	12.36	27.25	21.25	10.28	31.26	18.00	1 (33.8)	NP3024/NP3024P	27 x 21	1 (18.0) / 1 (9.8)

Enclosure only available with opaque hinged cover

Enclosures shipped with mounting feet, hinge caps and screws

*Order back panels separately

For factory installed pad lockable latch (Cat. No. CJTL), contact your Regional Sales Office for price and delivery



Circuit Safe® JIC Enclosures

Hinged Window Cover

Meets NEMA 1, 3, 3S, 3X, 3SX, 4, 4X, 12 and 13

Features

- Nonmetallic mounting feet and all mounting hardware included
- 304 (18-8) stainless steel screw (10-32 x 1-1/8 in.)
- White painted 14 gauge steel or 1/4 in. PVC back panel (order separately)
- Completely nonmetallic hinges
- Lid design provides greater usable internal volume
- Brass screw inserts
- Material: polycarbonate molded base and cover

Note: Window material 1/8 in. thick clear polycarbonate is permanently bonded to the cover.



Factory Assembled



Cat. No.	External				Internal			Mounting (in.)			Std. Ctn. Qty. (lb.)	Back Panel* Cat. No. Steel / PVC	Panel Size (in.)	Std. Ctn. Qty. (lb.) Steel / PVC
	A	B	C	D	E	F	G	H	J	K				
J665W	6.50	6.50	6.69	6.00	6.00	5.45	9.00	4.00	3.75	3.75	1 (3.1)	JP66 / JP66P	4.88 x 4.88	1 (1.0) / 1 (0.3)
J863W	8.50	6.50	4.49	8.00	6.00	3.25	11.00	4.00	3.75	3.75	1 (3.2)	JP86 / JP86P	6.75 x 4.88	1 (1.0) / 1 (0.78)
J1085W	10.50	8.50	6.69	10.00	8.00	5.45	13.00	6.00	7.75	5.75	1 (5.6)	JP108 / JP108P	8.75 x 6.88	1 (1.5) / 1 (0.7)
J12106W	12.50	10.50	7.69	12.00	10.00	6.45	15.00	8.00	6.75	7.75	1 (7.4)	JP1210 / JP1210P	10.75 x 8.88	1 (2.0) / 1 (1.2)
J14126W	14.50	12.50	7.72	14.00	12.00	6.48	17.00	10.00	11.75	9.75	1 (9)	JP1412 / JP1412P	12.75 x 10.88	1 (3.2) / 1 (1.7)
J16147W	16.50	14.50	8.46	16.00	14.00	7.22	19.00	12.00	13.75	11.75	1 (9.3)	JP1614 / JP1614P	14.75 x 12.88	1 (4.7) / 1 (2.3)

Enclosures shipped with mounting feet, hinge caps and screws

*Order back panels separately

For factory installed pad lockable quick-release latch (Cat. No. CJTL), contact your Regional Sales Office for price and delivery

