



Circuit Safe® NEMA Enclosures are the flagship product of the Carlton Enclosure offering. Molded in tough, durable polycarbonate resin, these enclosures lead the market in terms of design, durability, aesthetics and economy of use.

Ranging in size from 6 in. x 4 in. x 4 in. to 16 in. x 14 in. x 6 in., all Circuit Safe® NEMA products meet Types 4X, 12 and 13. These enclosures utilize recognized materials that carry an ultraviolet rating of F1, ensuring a very long, stable service life when installed outdoors. In addition, the use of polycarbonate material means that these enclosures enjoy an extremely high impact resistance rating... almost three times more impact resistant than traditional fiberglass enclosures.

Installation of components is made easy with the Panel Adjuster Kits and Swing Out Panel Kits. Sub-panels can be stacked or suspended at any depth within the enclosure, maximizing the space available for component mounting. Machining polycarbonate is also safe and easy. There are no splintering problems or airborne fibers typical when machining traditional fiberglass products.

Lighter, stronger, easier and safer to use and better-looking. Check out Carlton's Circuit Safe® NEMA line today.

Features and Benefits

- 100% non-metallic construction, including hinges
- Sturdy SS latches install without penetration of the enclosure base
- Clear covers are available which eliminates the need for window kits
- All cover screws are captive
- Panel suspension system allows the installation of panels at any depth, including stacking of multiple panels
- Swing panels are also available
- Available in junction boxes, external hinge and hidden hinge versions
- Subpanels are available in steel, PVC, or aluminum
- Nonmetallic mounting rails for easy installation
- Less than half the weight of metal enclosures, 25% lighter than fiberglass, easier to handle and less expensive to ship
- Full modification services are available



Applications

- Any outdoor applications especially where sunlight resistance is an issue
- Applications where water is present
- Applications where damage during shipment or installation or use is an issue
- Any applications where it is necessary to view internal components through a clear cover
- Applications where weight is an issue
- Applications where the ability to pass wireless signals is needed
- Applications where rust and corrosion are an issue

Examples

- Septic and pump controls
- Wireless system component protection
- Marina and sea side installations
- Controls that require through-cover viewing of read outs and dials
- Machine controls/process controls
- Food and beverage process controls
- Security system controls

Standards

- Meets or exceeds NEMA Types 4X, 12 and 13

Circuit Safe® NEMA enclosures are available in three different cover options and a wide range of sizes. From our screw cover style enclosures to our hidden hinge cover style enclosures to our external hinge cover style enclosures, Carlton has a Circuit Safe NEMA enclosure to meet your application-specific need.

Styles

- Screw Cover
- External Hinge
- Hidden Hinge

Cover Colour Options

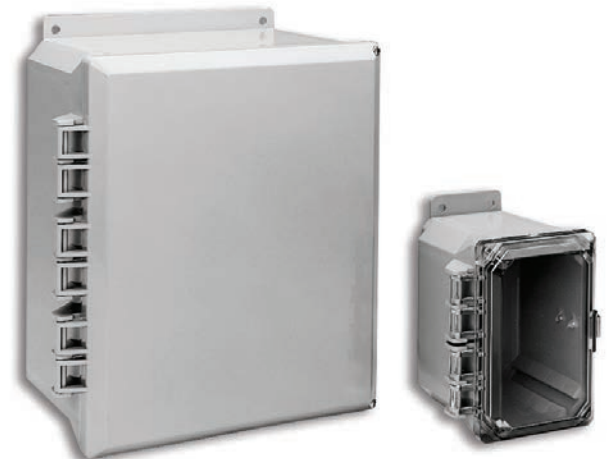
- Opaque
- Clear

Material

- Polycarbonate (Bases and Lids)



Screw Cover



External Hinged Cover



Hidden Hinged Cover

Circuit Safe® NEMA Enclosures

Screw-On Covers

Meets NEMA 1, 2, 3, 3S, 3X, 3SX, 4, 4X and 12



Assembled Enclosures



Opaque Cover* Cat. No.	Clear Cover* Cat. No.	Size (in.)	Back Panels** Steel/PVC	Std. Ctn. Qty.	Std. Ctn. Wt. (lb.) Opaque/Clear
NS644	NV644	6 x 4 x 4	JP64 / JP64P	1	opa. 1.8 / trans 1.9
NS664	NV664	6 x 6 x 4	JP66 / JP66P		opa. 2.4 / trans 2.4
NS864	NV864	8 x 6 x 4	JP86 / JP86P		opa. 2.9 / trans. 2.8
NS884	NV884	8 x 8 x 4	JP88 / JP88P		opa. 3.2 / trans 3.3
NS1084	NV1084	10 x 8 x 4	JP108 / JP108P		opa. 4.0 / trans 3.9
NS1086	NV1086	10 x 8 x 6	JP108 / JP108P		opa. 4.6 / trans 4.5
NS10106	NV10106	10 x 10 x 6	JP1010 / JP1010P		opa. 5.3 / trans 4.9
NS12106	NV12106	12 x 10 x 6	JP1210 / JP1210P		opa. 6.1 / trans 5.2
NS12126	NV12126	12 x 12 x 6	JP1212 / JP1212P		opa. 6.8 / trans 6.1
NS14126	NV14126	14 x 12 x 6	JP1412 / JP1412P		opa. 7.4 / trans 7.0
NS16146	NV16146	16 x 14 x 6	JP1614 / JP1614P		opa. 9.2 / trans 8.1

* Assembled Enclosures include body, lid and mounting rail kit

** Order back panels separately



Individual Components

Cat. No.	Enclosure Base*			Enclosure Lids				Back Panels**	
	Enclosure Size (in.)	Std. Ctn. Qty.	Std. Ctn. Wt. (lb.)	Opaque Lids	Clear Lids	Std. Ctn. Qty.	Std. Ctn. Wt. (lb.)	Steel/PVC Cat. No.	Std. Ctn. Qty.
NP644B	6 x 4 x 4	18	21	NS64L	NV64L	16	opa. 6.4 / trans. 5.7	JP64 / JP64P	1
NP664B	6 x 6 x 4	12	17	NS66L	NV66L	12	opa. 6.2 / trans. 5.7	JP66 / JP66P	
NP864B	8 x 6 x 4	12	18	NS86L	NV86L	9	opa. 6 / trans. 2.8	JP86 / JP86P	
NP884B	8 x 8 x 4	14	28	NS88L	NV88L	18	opa. 14 / trans. 11.2	JP88 / JP88P	
NP1084B	10 x 8 x 4	12	26	NS108L	NV108L	12	opa. 13 / trans. 11	JP108 / JP108P	
NP1086B	10 x 8 x 6	8	23	NS1086L	NV1086L	12	opa. 13 / trans. 11	JP108 / JP108P	
NP1010B	10 x 10 x 6	6	20	NS1010L	NV1010L	11	opa. 14 / trans. 12	JP1010 / JP1010P	
NP1210B	12 x 10 x 6	6	23	NS1210L	NV1210L	12	opa. 15 / trans. 15	JP1210 / JP1210P	
NP1212B	12 x 12 x 6	5	22	NS1212L	NV1212L	10	opa. 15 / trans. 14	JP1212 / JP1212P	
NP1412B	14 x 12 x 6	5	24	NS1412L	NV1412L	5	opa. 9 / trans. 9	JP1412 / JP1412P	
NP1614B	16 x 14 x 6	4	31	NS1614L	NV1614L	5	opa. 11 / trans. 11	JP1614 / JP1614P	

* Mounting rails are not included. See "Mounting Rails" listed in the Enclosure Accessories section

** Order back panels separately

Circuit Safe® NEMA Enclosures

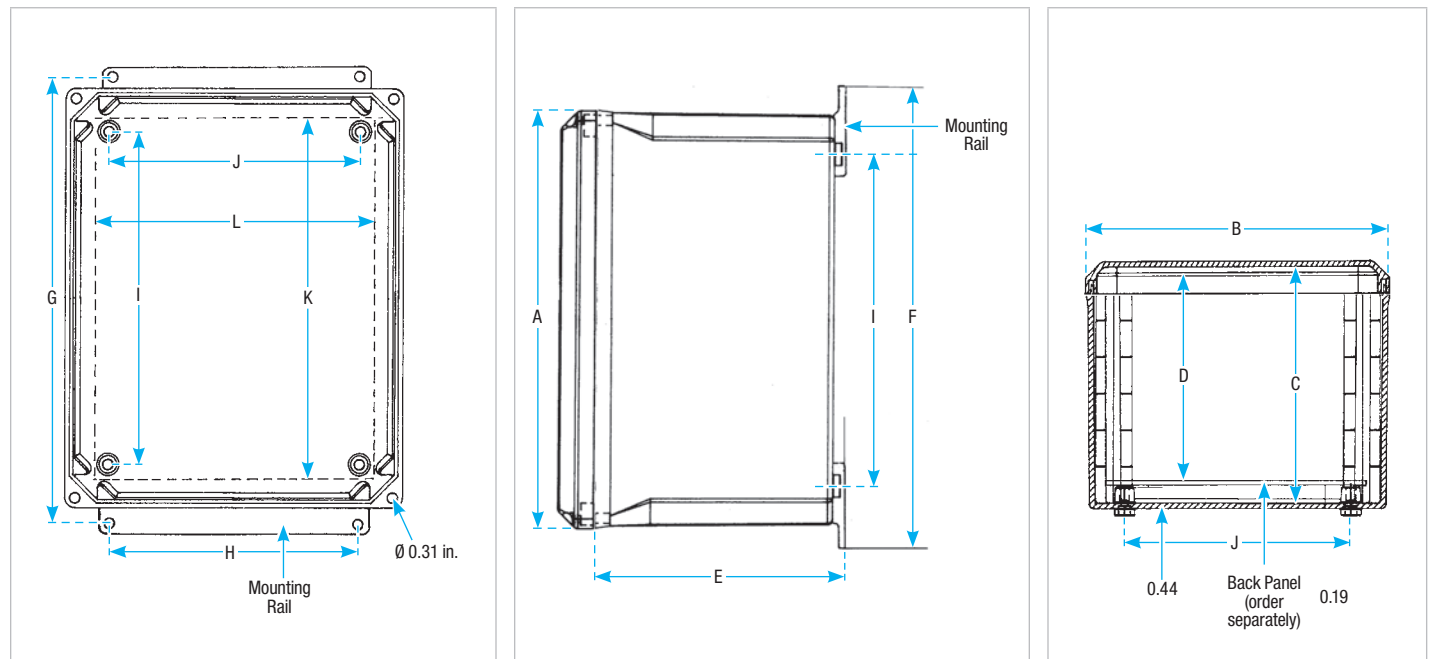
Screw-On Covers

Meets NEMA 1, 2, 3, 3S, 3X, 3SX, 4, 4X and 12

Opaque* Lid Cat. No.	Clear* Lid Cat. No.	Enclosure Size (in.)						Enclosure Mounting Hole Spacing (in.)		Panel Mounting Hole Spacing (in.)		Back Panel Size (in.)		Back Panel** Cat. No.	
		A	B	C	D	E	F	G	H	I	J	K	L	Steel	PVC
NS644	NV644	6.40	4.40	4.49	3.98	5.13	7.69	6.75	2.00	4.25	2.25	4.88	2.88	JP64	JP64P
NS664	NV664	6.40	6.40	4.49	3.98	5.13	7.69	6.75	4.00	4.25	4.25	4.88	4.88	JP66	JP66P
NS864	NV864	8.40	6.40	4.49	3.98	5.13	9.69	8.75	4.00	6.25	4.25	6.75	4.88	JP86	JP86P
NS884	NV884	8.40	8.40	4.49	3.98	5.13	9.69	8.75	6.00	6.25	6.25	6.75	6.88	JP88	JP88P
NS1084	NV1084	10.40	8.40	4.49	3.98	5.13	11.69	10.75	6.00	8.25	6.25	8.75	6.88	JP108	JP108P
NS1086	NV1086	10.40	8.40	6.49	5.98	7.13	11.69	10.75	6.00	8.25	6.25	8.75	6.88	JP108	JP108P
NS10106	NV10106	10.40	10.40	6.49	5.98	7.13	11.69	10.75	8.00	8.25	8.25	8.75	8.88	JP1010	JP1010P
NS12106	NV12106	12.40	10.40	6.49	5.98	7.13	13.69	12.75	8.00	10.25	8.25	10.75	8.88	JP1210	JP1210P
NS12126	NV12126	12.40	12.40	6.49	5.98	7.13	13.69	12.75	10.00	10.25	10.25	10.75	10.88	JP1212	JP1212P
NS14126	NV14126	14.40	12.40	6.49	5.98	7.13	15.69	14.75	10.00	12.25	10.25	12.75	10.88	JP1412	JP1412P
NS16146	NV16146	16.40	14.40	6.49	5.98	7.13	17.69	16.75	12.00	14.25	12.25	14.75	12.88	JP1614	JP1614P

* Assembled Enclosures include body, lid and mounting rail kit

** Order back panels separately. (10/32 – 3/8 Back Panel screws not supplied)



Circuit Safe® NEMA Enclosures

Hidden Hinge Covers

Meets NEMA 1, 2, 3, 3S, 3X, 3SX, 4, 4X and 12



Assembled Enclosures



Opaque Cover* Cat. No.	Clear Cover* Cat. No.	Size (in.)	Back Panels** Steel/PVC	Std. Ctn. Qty.	Std. Ctn. Wt. (lb.) Opaque/Clear
NH644	NI644	6 x 4 x 5 (y)	JP64 / JP64P	1	opa. 2.2 / trans. 2.8
NH664	NI664	6 x 6 x 5	JP66 / JP66P		opa. 2.7 / trans. 3.2
NH864	NI864	8 x 6 x 5	JP86 / JP86P		opa. 3.3 / trans. 3.8
NH884	NI884	8 x 8 x 5	JP88 / JP88P		opa. 3.8 / trans. 3.8
NH1084	NI1084	10 x 8 x 5	JP108 / JP108P		opa. 4.0 / trans. 4.5
NH1086	NI1086	10 x 8 x 7	JP108 / JP108P		opa. 5.2 / trans. 5.1
NH10106	NI10106	10 x 10 x 7	JP1010 / JP1010P		opa. 5.7 / trans. 5.8
NH12106	NI12106	12 x 10 x 7	JP1210 / JP1210P		opa. 6.9 / trans. 6.1
NH12126	NI12126	12 x 12 x 7	JP1212 / JP1212P		opa. 7.7 / trans. 7.2
NH14126	NI14126	14 x 12 x 7	JP1412 / JP1412P		opa. 8.3 / trans. 7.9
NH16146	NI16146	16 x 14 x 7	JP1614 / JP1614P		opa. 10.1 / trans. 9.6

* Assembled Enclosures include body, lid and mounting rail kit

** Order back panels separately

(y) 6 x 4 x 5 size not available with quick-release latches



Individual Components

Cat. No.	Enclosure Base*			Enclosure Lids				Collars			Back Panels**	
	Enclosure Size (in.)	Std. Ctn. Qty.	Std. Ctn. Wt. (lb.)	Opaque Lids	Clear Lids	Std. Ctn. Qty.	Std. Ctn. Wt. (lb.)	Cat. No.	Std. Ctn. Qty.	Std. Ctn. Wt. (lb.)	Steel/PVC Cat. No.	Std. Ctn. Qty.
NP644B	6 x 4 x 5 (y)	18	21	NH644	NI644	16	Opa. 6.8 /Clr 6.3	NH64C	1	SSLS	JP64 / JP64P	1
NP664B	6 x 6 x 5	12	17	NH664	NI664	12	Opa. 6.8 /Clr 6.3	NH66C		SSLS	JP66 / JP66P	
NP864B	8 x 6 x 5	12	18	NH864	NI864	9	Opa. 6.3 /Clr 5.7	NH86C		SSLS	JP86 / JP86P	
NP884B	8 x 8 x 5	14	28	NH884	NI884	18	Opa. 16 /Clr 15	NH88C		SSLS	JP88 / JP88P	
NP1084B	10 x 8 x 5	12	26	NH1084	NI1084	12	Opa. 13 /Clr 12	NH108C		SSLS	JP108 / JP108P	
NP1086B	10 x 8 x 7	8	23	NH1086	NI1086	12	Opa. 13 /Clr 12	NH108C		SSLS	JP108 / JP108P	
NP1010B	10 x 10 x 7 (z)	6	20	NH10106	NI10106	11	Opa. 14 /Clr 13	NH1010C		SSLS	JP1010 / JP1010P	
NP1210B	12 x 10 x 7 (z)	6	23	NH12106	NI12106	12	Opa. 17 /Clr 6	NH1210C		SSLS	JP1210 / JP1210P	
NP1212B	12 x 12 x 7 (z)	5	22	NH12126	NI12126	10	Opa. 17 /Clr 16	NH1212C		SSLS	JP1212 / JP1212P	
NP1412B	14 x 12 x 7 (z)	5	24	NH14126	NI14126	5	Opa. 10 /Clr 10	NH1412C		SSLS	JP1412 / JP1412P	
NP1614B	16 x 14 x 7 (z)	4	31	NH16146	NI16146	5	Opa. 13 /Clr 12	NH1614C		SSLS	JP1614 / JP1614P	

* Mounting rails are not included. See "Mounting Rails" listed in the Enclosure Accessories section

** Order back panels separately

(y) 6 x 4 x 5 enclosures are not available with quick-release latches

(z) Sizes 12 x 10 and larger require two (2) latches per enclosure

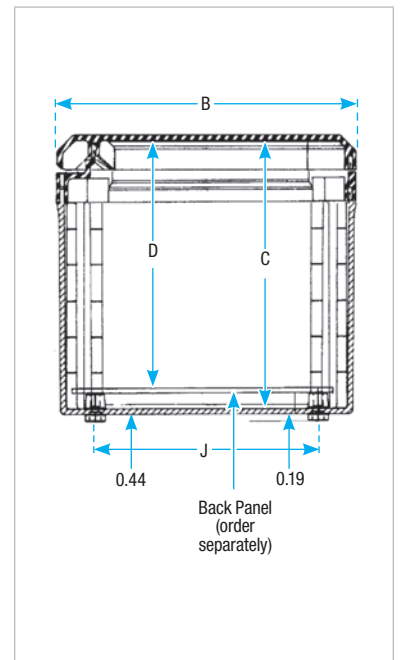
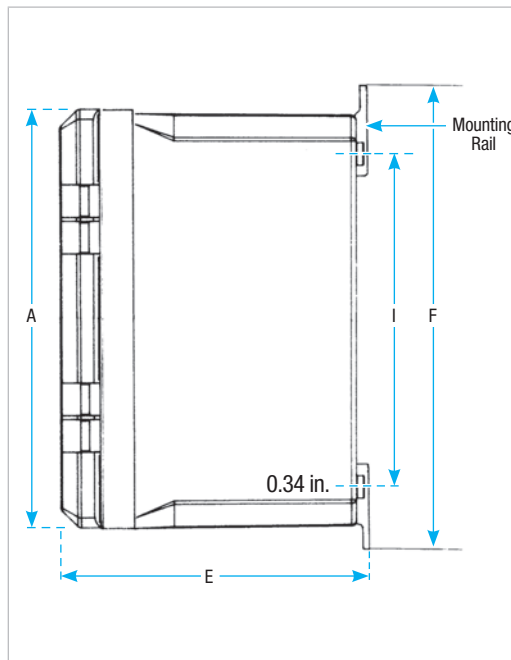
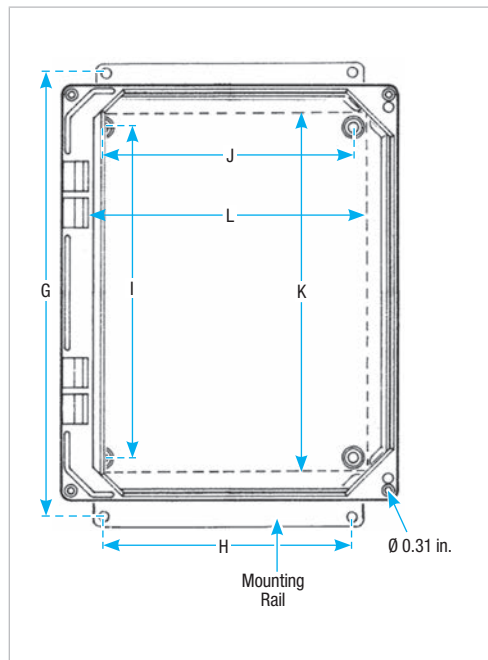
Circuit Safe® NEMA Enclosures

Hidden Hinge Covers

Meets NEMA 1, 2, 3, 3S, 3X, 3SX, 4, 4X and 12

Opaque* Lid Cat. No.	Clear* Lid Cat. No.	Enclosure Size (in.)						Enclosure Mounting Hole Spacing (in.)		Panel Mounting Hole Spacing (in.)		Back Panel Size (in.)		Back Panel** Cat. No.	
		A	B	C	D	E	F	G	H	I	J	K	L	Steel	PVC
NH644	NI644	6.40	4.40	5.30	4.79	5.94	7.69	6.75	2.00	4.25	2.25	4.88	2.88	JP64	JP64P
NH664	NI664	6.40	6.40	5.30	4.79	5.94	7.69	6.75	4.00	4.25	4.25	4.88	4.88	JP66	JP66P
NH864	NI864	8.40	6.40	5.30	4.79	5.94	9.69	8.75	4.00	6.25	4.25	6.75	4.88	JP86	JP86P
NH884	NI884	8.40	8.40	5.30	4.79	5.94	9.69	8.75	6.00	6.25	6.25	6.75	6.88	JP88	JP88P
NH1084	NI1084	10.40	8.40	5.30	4.79	5.94	11.69	10.75	6.00	8.25	6.25	8.75	6.88	JP108	JP108P
NH1086	NI1086	10.40	8.40	7.30	6.79	7.94	11.69	10.75	6.00	8.25	6.25	8.75	6.88	JP108	JP108P
NH10106	NI10106	10.40	10.40	7.30	6.79	7.94	11.69	10.75	8.00	8.25	8.25	8.75	8.88	JP1010	JP1010P
NH12106	NI12106	12.40	10.40	7.30	6.79	7.94	13.69	12.75	8.00	10.25	8.25	10.75	8.88	JP1210	JP1210P
NH12126	NI12126	12.40	12.40	7.30	6.79	7.94	13.69	12.75	10.00	10.25	10.25	10.75	10.88	JP1212	JP1212P
NH14126	NI14126	14.40	12.40	7.30	6.79	7.94	15.69	14.75	10.00	12.25	10.25	12.75	10.88	JP1412	JP1412P
NH16146	NI16146	16.40	14.40	7.30	6.79	7.94	17.69	16.75	12.00	14.25	12.25	14.75	12.88	JP1614	JP1614P

* Assembled Enclosures (except NI1084) include body, lid and mounting rail kit
 ** Order back panels separately. (10/32 – 3/8 Back Panel screws not supplied)



Circuit Safe® NEMA Enclosures

External Hinge Covers

Meets NEMA 1, 2, 3, 3S, 3X, 3SX, 4, 4X and 12

Assembled Enclosures



Opaque Cover*	Clear Cover*	Size (in.)	Back Panels** Steel/PVC	Std. Ctn. Qty.	Std. Ctn. Wt. (lb.) Opaque/Clear
NJ644	NC644	6 x 4 x 4	JP64 / JP64P	1	opa. 1.9 / trans. 1.9
NJ664	NC664	6 x 6 x 4	JP66 / JP66P		opa. 2.4 / trans. 2.4
NJ864	NC864	8 x 6 x 4	JP86 / JP86P		opa. 2.9 / trans. 2.9
NJ884	NC884	8 x 8 x 4	JP88 / JP88P		opa. 3.3 / trans. 3.3
NJ1084	NC1084	10 x 8 x 4	JP108 / JP108P		opa. 4 / trans. 4
NJ1086	NC1086	10 x 8 x 6	JP108 / JP108P		opa. 4.6 / trans. 4.7
NJ10106	NC10106	10 x 10 x 6	JP1010 / JP1010P		opa. 5.6 / trans. 5.3
NJ12106	NC12106	12 x 10 x 6	JP1210 / JP1210P		opa. 6.3 / trans. 5.8
NJ12126	NC12126	12 x 12 x 6	JP1212 / JP1212P		opa. 6.9 / trans. 6.6
NJ14126	NC14126	14 x 12 x 6	JP1412 / JP1412P		opa. 7.7 / trans. 7
NJ16146	NC16146	16 x 14 x 6	JP1614 / JP1614P		opa. 8.2 / trans. 8

* Assembled Enclosures include body, lid and mounting rail kit

** Order back panels separately

Individual Components



Cat. No.	Enclosure Base*			Enclosure Lids				Back Panels**		Latches		
	Enclosure Size (in.)	Std. Ctn. Qty.	Std. Ctn. Wt. (lb.)	Opaque Lids	Clear Lids	Std. Ctn. Qty.	Std. Ctn. Wt. (lb.)	Steel/PVC Cat. No.	Std. Ctn. Qty.	Steel Latch Cat. No.	Nonmetallic Latch Cat. No.	Std. Ctn. Qty.
NL664B	6 x 6 x 4	12	18	NJ66L	NC66L	12	opa. 5.0 / trans. 5.9	JP66 / JP66P	1	SSLS	NPLIS	1
NL864B	8 x 6 x 4	8	14	NJ86L	NC86L	9	opa. 6.0 / trans. 5.3	JP86 / JP86P		SSLS	NPLIS	
NL884B	8 x 8 x 4	14	28	NJ88L	NC88L	18	opa. 15 / trans. 13.5	JP88 / JP88P		SSLS	NPLIS	
NL1084B	10 x 8 x 4	12	32	NJ108L	NC108L	12	opa. 13 / trans. 11.7	JP108 / JP108P		SSLS	NPLIS	
NL1086B	10 x 8 x 6	8	15	NJ108L	NC108L	12	opa. 13 / trans. 11.7	JP108 / JP108P		SSLS	NPLIS	
NL1010B	10 x 10 x 6	6	20	NJ1010L	NC1010L	11	opa. 14 / trans. 13	JP1010 / JP1010P		SSLS	NPLIS	
NL1210B	12 x 10 x 6(z)	6	24	NJ1210L	NC1210L	12	opa. 14 / trans. 15	JP1210 / JP1210P		SSLS	NPLIS	
NL1212B	12 x 12 x 6(z)	5	21.8	NJ1212L	NC1212L	10	opa. 16 / trans. 14	JP1212 / JP1212P		SSLS	NPLIS	
NL1412B	14 x 12 x 6(z)	4	19	NJ1412L	NC1412L	5	opa. 10 / trans. 9	JP1412 / JP1412P		SSLS	NPLIS	
NL1614B	16 x 14 x 6(z)	4	31	NJ1614L	NC1614L	5	opa. 13.5 / trans. 12	JP1614 / JP1614P		SSLS	NPLIS	

* Mounting rails are not included. See "Mounting Rails" listed in the Enclosure Accessories section

** Order back panels separately

(z) Sizes 12 x 10 and larger require two (2) latches per enclosure

Circuit Safe® NEMA Enclosures

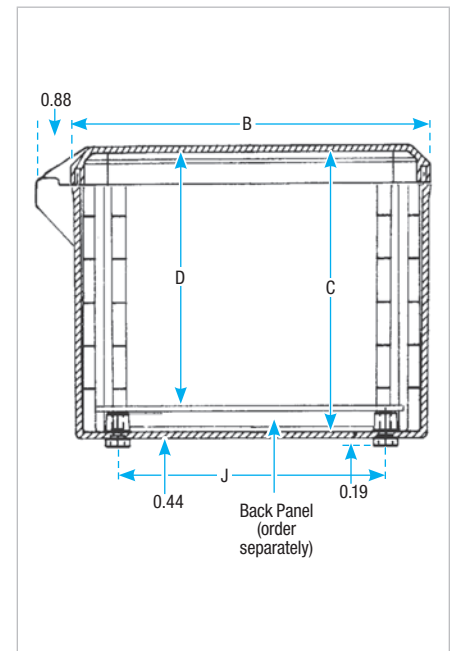
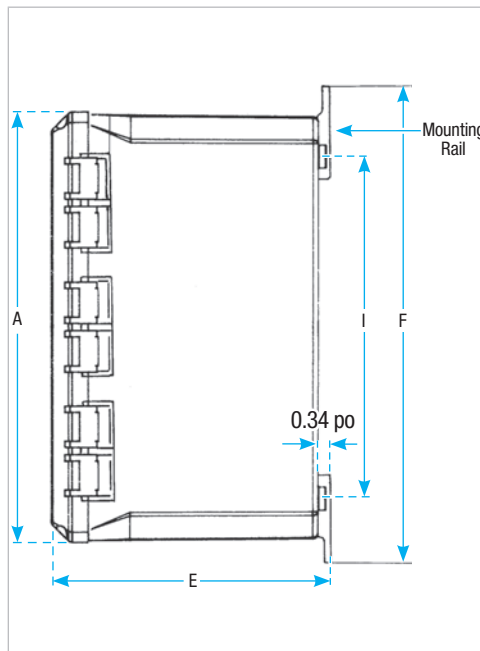
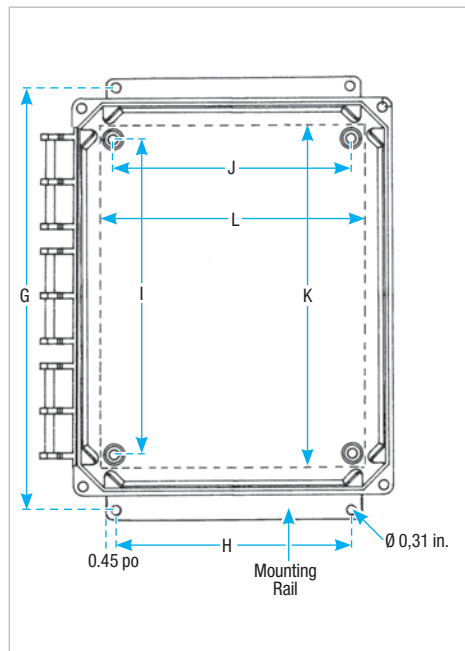
External Hinge Covers

Meets NEMA 1, 2, 3, 3S, 3X, 3SX, 4, 4X and 12

Opaque* Lid Cat. No.	Clear* Lid Cat. No.	Enclosure Size (in.)						Enclosure Mounting Hole Spacing (in.)		Panel Mounting Hole Spacing (in.)		Back Panel Size (in.)		Back Panel** Cat. No.	
		A	B	C	D	E	F	G	H	I	J	K	L	Métal	PVC
NJ644	NC644	6.40	4.40	4.49	3.98	5.13	7.69	6.75	2.00	4.25	2.25	4.88	2.88	JP64	JP64P
NJ664	NC664	6.40	6.40	4.49	3.98	5.13	7.69	6.75	4.00	4.25	4.25	4.88	4.88	JP66	JP66P
NJ864	NC864	8.40	6.40	4.49	3.98	5.13	9.69	8.75	4.00	6.25	4.25	6.75	4.88	JP86	JP86P
NJ884	NC884	8.40	8.40	4.49	3.98	5.13	9.69	8.75	6.00	6.25	6.25	6.75	6.88	JP88	JP88P
NJ1084	NC1084	10.40	8.40	4.49	3.98	5.13	11.69	10.75	6.00	8.25	6.25	8.75	6.88	JP108	JP108P
NJ1086	NC1086	10.40	8.40	6.49	5.98	7.13	11.69	10.75	6.00	8.25	6.25	8.75	6.88	JP108	JP108P
NJ10106	NC10106	10.40	10.40	6.49	5.98	7.13	11.69	10.75	8.00	8.25	8.25	8.75	8.88	JP1010	JP1010P
NJ12106	NC12106	12.40	10.40	6.49	5.98	7.13	13.69	12.75	8.00	10.25	8.25	10.75	8.88	JP1210	JP1210P
NJ12126	NC12126	12.40	12.40	6.49	5.98	7.13	13.69	12.75	10.00	10.25	10.25	10.75	10.88	JP1212	JP1212P
NJ14126	NC14126	14.40	12.40	6.49	5.98	7.13	15.69	14.75	10.00	12.25	10.25	12.75	10.88	JP1412	JP1412P
NJ16146	NC16146	16.40	14.40	6.49	5.98	7.13	17.69	16.75	12.00	14.25	12.25	14.75	12.88	JP1614	JP1614P

* Assembled Enclosures; include body, lid and mounting rail kit

** Order back panels separately. (10/32 – 3/8 Back Panel screws not supplied)



Circuit Safe® NEMA Enclosures

Quick Reference

Screw-On Cover Style

Assembled Enclosures (no Panel or Latches)		Individual Components			Latches Back Panels	
Opaque Lid	Clear Lid	Body	Lid	Mtg. Rails	Steel	PVC
NS644		NP644B	NS64L	NMK4V	JP64	JP64P
	NV644	NP644B	NV64L	NMK4V	JP64	JP64P
NS664		NP664B	NS66L	NMK6V	JP66	JP66P
	NV664	NP664B	NV66L	NMK6V	JP66	JP66P
NS864		NP864B	NS86L	NMK6V	JP86	JP86P
	NV864	NP864B	NV86L	NMK6V	JP86	JP86P
NS884		NP884B	NS88L	NMK8V	JP88	JP88P
	NV884	NP884B	NV88L	NMK8V	JP88	JP88P
NS1084		NP1084B	NS108L	NMK8V	JP108	JP108P
	NV1084	NP1084B	NV108L	NMK8V	JP108	JP108P
NS1086		NP1086B	NS108L	NMK8V	JP108	JP108P
	NV1086	NP1086B	NV108L	NMK8V	JP108	JP108P
NS10106		NP1010B	NS1010L	NMK10V	JP1010	JP1010P
	NV10106	NP1010B	NV1010L	NMK10V	JP1010	JP1010P
NS12106		NP1210B	NS1210L	NMK10V	JP1210	JP1210P
	NV12106	NP1210B	NV1210L	NMK10V	JP1210	JP1210P
NS12126		NP1212B	NS1212L	NMK12V	JP1212	JP1212P
	NV12126	NP1212B	NV1212L	NMK12V	JP1212	JP1212P
NS14126		NP1412B	NS1412L	NMK12V	JP1412	JP1412P
	NV14126	NP1412B	NV1412L	NMK12V	JP1412	JP1412P
NS16146		NP1614B	NS1614L	NMK14V	JP1614	JP1614P
	NV16146	NP1614B	NV1614L	NMK14V	JP1614	JP1614P

External Hinge Cover Style

Assembled Enclosures (no Panel or Latches)		Individual Components			Latches Back Panels		Latches - Qty. Needed	
Opaque Lid	Clear Lid	Body	Lid	Mtg. Rails	Steel	PVC	Steel	Nonmetallic
NJ644		NL644B	NJ64L	NMK4V	JP64	JP64P	SSLS (1)	NPL1S (1)
	NC644	NL644B	NC64L	NMK4V	JP64	JP64P	SSLS (1)	NPL1S (1)
NJ664		NL664B	NJ66L	NMK6V	JP66	JP66P	SSLS (1)	NPL1S (1)
	NC664	NL664B	NC66L	NMK6V	JP66	JP66P	SSLS (1)	NPL1S (1)
NJ864		NL864B	NJ86L	NMK6V	JP86	JP86P	SSLS (1)	NPL1S (1)
	NC864	NL864B	NC86L	NMK6V	JP86	JP86P	SSLS (1)	NPL1S (1)
NJ884		NL884B	NJ88L	NMK8V	JP88	JP88P	SSLS (1)	NPL1S (1)
	NC884	NL884B	NC88L	NMK8V	JP88	JP88P	SSLS (1)	NPL1S (1)
NJ1084		NL1084B	NJ108L	NMK8V	JP108	JP108P	SSLS (1)	NPL1S (1)
	NC1084	NL1084B	NC108L	NMK8V	JP108	JP108P	SSLS (1)	NPL1S (1)
NJ1086		NL1086B	NJ108L	NMK8V	JP108	JP108P	SSLS (1)	NPL1S (1)
	NC1086	NL1086B	NC108L	NMK8V	JP108	JP108P	SSLS (1)	NPL1S (1)
NJ10106		NL1010B	NJ1010L	NMK10V	JP1010	JP1010P	SSLS (1)	NPL1S (1)
	NC10106	NL1010B	NC1010L	NMK10V	JP1010	JP1010P	SSLS (1)	NPL1S (1)
NJ12106		NL1210B	NJ1210L	NMK10V	JP1210	JP1210P	SSLS (2)	NPL1S (2)
	NC12106	NL1210B	NC1210L	NMK10V	JP1210	JP1210P	SSLS (2)	NPL1S (2)
NJ12126		NL1212B	NJ1212L	NMK12V	JP1212	JP1212P	SSLS (2)	NPL1S (2)
	NC12126	NL1212B	NC1212L	NMK12V	JP1212	JP1212P	SSLS (2)	NPL1S (2)
NJ14126		NL1412B	NJ1412L	NMK12V	JP1412	JP1412P	SSLS (2)	NPL1S (2)
	NC14126	NL1412B	NC1412L	NMK12V	JP1412	JP1412P	SSLS (2)	NPL1S (2)
NJ16146		NL1614B	NJ1614L	NMK14V	JP1614	JP1614P	SSLS (2)	NPL1S (2)
	NC16146	NL1614B	NC1614L	NMK14V	JP1614	JP1614P	SSLS (2)	NPL1S (2)

Circuit Safe® NEMA Enclosures

Quick Reference

Hidden Hinge Cover Style

Assembled Enclosures (no Panel or Latches)		Individual Components			Latches Back Panels		Latches – (Qty. needed)	
Opaque Lid	Clear Lid	Body	Lid	Mtg. Rails	Steel	PVC	Steel	Nonmetallic
NH644		NP644B	NH64L	NMK4V	JP64	JP64P	SSLS (1)	NPL1S (1)
	NI644	NP644B	NI64L	NMK4V	JP64	JP64P	SSLS (1)	NPL1S (1)
NH664		NP664B	NH66L	NMK6V	JP66	JP66P	SSLS (1)	NPL1S (1)
	NI664	NP664B	NI66L	NMK6V	JP66	JP66P	SSLS (1)	NPL1S (1)
NH864		NP864B	NH86L	NMK6V	JP86	JP86P	SSLS (1)	NPL1S (1)
	NI864	NP864B	NI86L	NMK6V	JP86	JP86P	SSLS (1)	NPL1S (1)
NH884		NP884B	NH88L	NMK8V	JP88	JP88P	SSLS (1)	NPL1S (1)
	NI884	NP884B	NI88L	NMK8V	JP88	JP88P	SSLS (1)	NPL1S (1)
NH1084		NP1084B	NH108L	NMK8V	JP108	JP108P	SSLS (1)	NPL1S (1)
	NI1084	NP1084B	NI108L	NMK8V	JP108	JP108P	SSLS (1)	NPL1S (1)
NH1086		NP1086B	NH108L	NMK8V	JP108	JP108P	SSLS (1)	NPL1S (1)
	NI1086	NP1086B	NI108L	NMK8V	JP108	JP108P	SSLS (1)	NPL1S (1)
NH10106		NP1010B	NH1010L	NMK10V	JP1010	JP1010P	SSLS (1)	NPL1S (1)
	NI10106	NP1010B	NI1010L	NMK10V	JP1010	JP1010P	SSLS (1)	NPL1S (1)
NH12106		NP1210B	NH1210L	NMK10V	JP1210	JP1210P	SSLS (2)	NPL1S (2)
	NI12106	NP1210B	NI1210L	NMK10V	JP1210	JP1210P	SSLS (2)	NPL1S (2)
NH12126		NP1212B	NH1212L	NMK12V	JP1212	JP1212P	SSLS (2)	NPL1S (2)
	NI12126	NP1212B	NI1212L	NMK12V	JP1212	JP1212P	SSLS (2)	NPL1S (2)
NH14126		NP1412B	NH1412L	NMK12V	JP1412	JP1412P	SSLS (2)	NPL1S (2)
	NI14126	NP1412B	NI1412L	NMK12V	JP1412	JP1412P	SSLS (2)	NPL1S (2)
NH16146		NP1614B	NH1614L	NMK14V	JP1614	JP1614P	SSLS (2)	NPL1S (2)
	NI16146	NP1614B	NI1614L	NMK14V	JP1614	JP1614P	SSLS (2)	NPL1S (2)