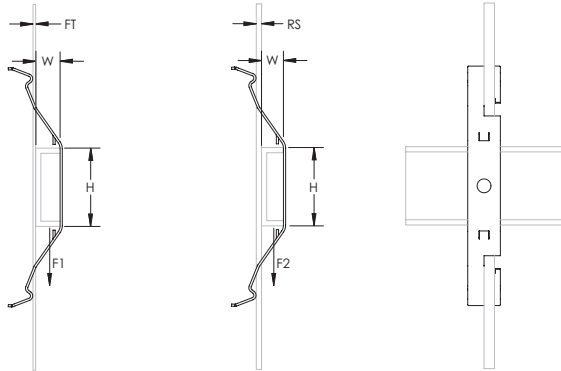


Lathers Channel to Rod/Wire/Strap Clip – HRL15A



- Helps eliminate the major problem of cutouts for lighting layouts, ducts, obstructions and architectural changes
- Mounts to rod, wire and flat strap
- No tools required for installation



| | |
|-----------------------------|---------------|
| Part Number | HRL15A |
| Material | Spring Steel |
| Finish | CADDY ARMOUR |
| Lathers Channel Height (H) | 1 1/2" |
| Lathers Channel Width (W) | 9/16" – 5/8" |
| Flange Thickness (FT) | 1/8" – 3/16" |
| Rod Size (RS) | 3/16" 1/4" |
| Wire Size | #8 |
| Static Load 1 (F1) | 75 lb |
| Static Load 2 (F2) | 100 lb |
| Certifications | cULus |
| Standard Packaging Quantity | 100 pc |
| UPC | 78285641310 |

UL, UR, cUL, cUR, cULus and cURus are registered certification marks of UL LLC.

WARNING

Pentair products shall be installed and used only as indicated in Pentair's product instruction sheets and training materials. Instruction sheets are available at erico.pentair.com and from your Pentair customer service representative. Improper installation, misuse, misapplication or other failure to completely follow Pentair's instructions and warnings may cause product malfunction, property damage, serious bodily injury and death and/or void your warranty.

© 2016 Pentair All rights reserved

Pentair, CADDY, CADWELD, CRITEC, ERICO, ERIFLEX, ERITECH and LENTON are owned by Pentair or its global affiliates.

All other trademarks are the property of their respective owners. Pentair reserves the right to change specifications without prior notice.

