

Description

The H2932T is a Non-IC 60 watt shallow rectangular lensed ceiling light. The H2932T comes complete with a thermally protected shallow housing and an albalite glass lensed trim.

Application

The H2932T features a 60 watt shallow rectangular housing designed for use in 2" x 4" construction. Insulation must be kept 3" from all sides of fixture.

Catalog #	Type
Project	
Comments	
Prepared by	Date

SPECIFICATION FEATURES

A...Housing

Material: CRS

Dimensions:

3-1/2" D x 5-1/2" W x 8" L enclosure

(11-5/8" L enclosure and J-box)

Finish: Gloss White

Optic: Specular reflector

Mounting: Crimp tabs for bar hangers (included)

Partitioned compartment for thermal protector

B... Trim

Material: CRS

Flange: Chamfered, round-edge bevel

Dimensions: 9-3/8" L x 5-3/4" W

Finish: Satin White

Lens: Albalite Glass

Retention method: Two torsion springs

C... Junction Box

UL listed for through branch wiring. Seven conduit knockouts are uniform trade size: five 1/2" and two 3/4" knockouts

Easy access tool-less junction box cover with side mounting spring clip

D... Socket

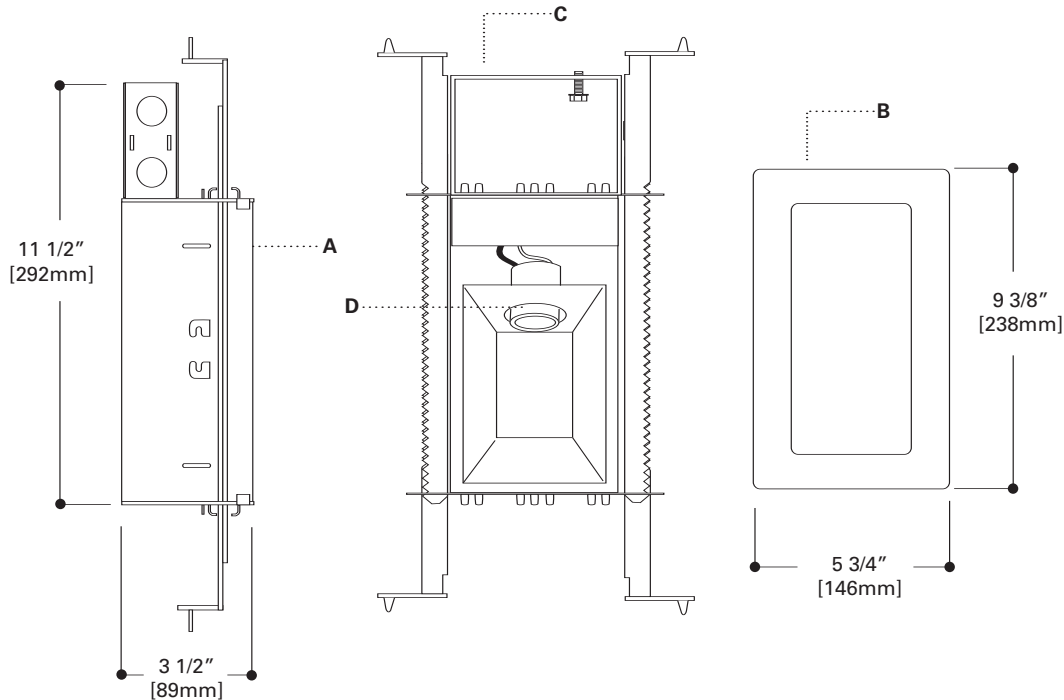
Porcelain socket with nickel-plated brass screw shell.

Lamp

60 Watt, A19 (by others).

Labels

- UL listed for feed through
- UL listed for damp location
- CuL listed



H2932T 60 Watt LENSED CEILING LIGHT

SHALLOW RECESSED
HOUSING WITH
ALBALITE LENS

FOR USE IN
NON-INSULATED
CEILINGS
OR
INSULATED CEILINGS
BUT INSULATION
MUST BE KEPT 3"
FROM ALL SIDES AND
TOP OF FIXTURE

Ordering Information

Catalog Number: H2932T