

TWO-DOOR WITH 3-POINT LATCHES AND FLOOR-STANDS, TYPE 12

APPLICATION

Designed to house systems incorporating large components or complex mounting configurations. Three-point latching and sealing provide industry-leading protection from dust, dirt, oil and water.

SPECIFICATIONS

- Manufactured from 12 or 14 gauge Type 304 stainless steel
- Seams continuously welded and ground smooth; no holes or knockouts
- Strong, rigid construction with body stiffeners
- Gasketed overlapping doors eliminate need for centerpost
- Plated steel 3-point latching mechanism and key-locking handle
- Heavy-gauge continuous hinges support each door
- Data pocket, provided on door with 3-point latches, is high-impact thermoplastic
- 12-in. (305-mm) floor stands are welded to enclosure
- Heavy-duty lifting eyes are Type 316 stainless steel
- Panel supports
- Collar studs for mounting optional panel
- Bonding provision on doors; grounding studs on body
- Accessory mounting channel in top of enclosure

FINISH

Enclosures are unpainted. Front, sides, top and back have smooth #4 brushed finished. Optional mild steel panels are painted white. Optional conductive panels are available.

ACCESSORIES

- Drip Shield Kit for Type 12 Enclosures
- Enclosure Stabilizers
- Center Panel Supports
- Panels for Type 3R, 4, 4X, 12 and 13 Enclosures

MODIFICATION AND CUSTOMIZATION

Hoffman excels at modifying and customizing products to your specifications. Contact your local Hoffman sales office or distributor for complete information.

BULLETIN: A12S
INDUSTRY STANDARDS

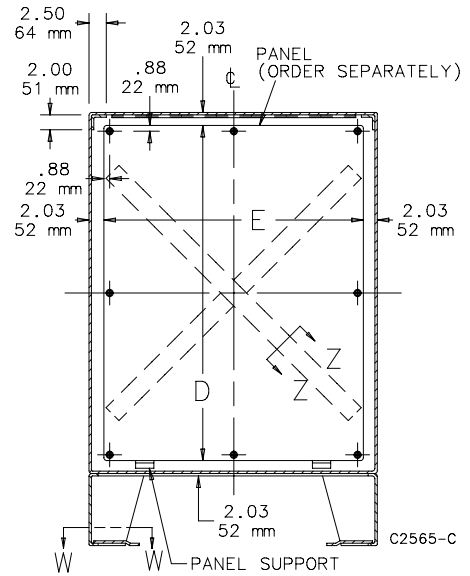
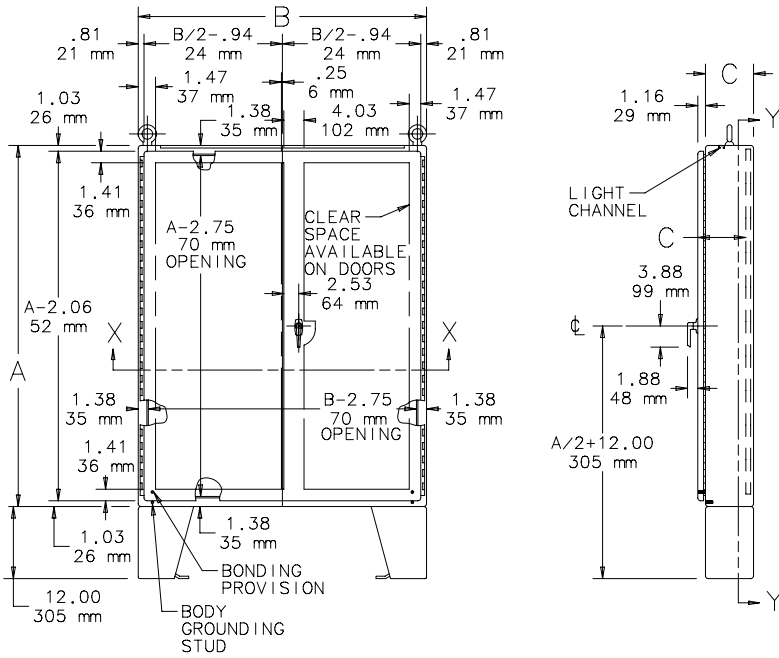
UL 508A Listed; Type 12; File No. E61997
cUL Listed per CSA C22.2 No 94; Type 12; File No. E61997

NEMA/EEMAC Type 12
CSA File No. 42186: Type 12
IEC 60529, IP55

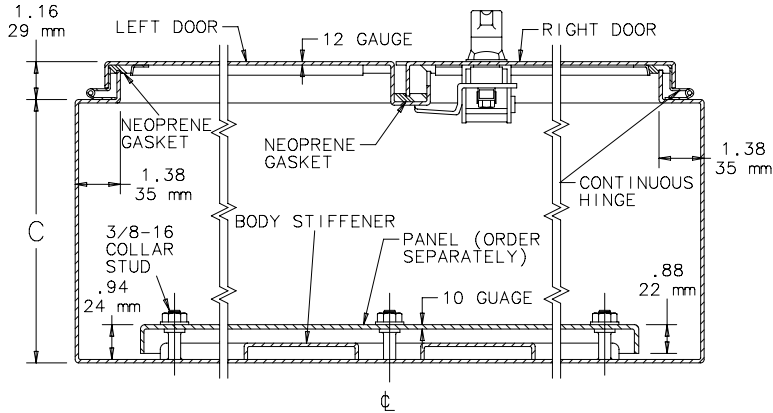
Standard Product

Catalog Number	AxBxC in.	AxBxC mm	Gauge	Panel	Galvanized Panel	Panel Gauge	Panel Size D x E (in.)	Panel Size D x E (mm)	Stiffener (Body)
A544208SSLP	54.00 x 42.00 x 8.00	1372 x 1067 x 203	14	A54P42	A54P42G	12	50.00 x 38.00	1270 x 965	3
A604808SSLP	60.06 x 48.06 x 8.06	1526 x 1221 x 205	12	A60P48	A60P48G	10	56.00 x 44.00	1422 x 1118	1 (X-form)
A604810SSLP	60.06 x 48.06 x 10.06	1526 x 1221 x 256	12	A60P48	A60P48G	10	56.00 x 44.00	1422 x 1118	1 (X-form)
A606010SSLP	60.06 x 60.06 x 10.06	1526 x 1526 x 256	12	A60P60	A60P60G	10	56.00 x 56.00	1422 x 1422	1 (X-form)
A726010USSLP	72.06 x 60.06 x 10.06	1830 x 1526 x 256	12	A72P60	A72P60G	10	68.00 x 56.00	1727 x 1422	1 (X-form)
A727210USSLP	72.06 x 72.06 x 10.06	1830 x 1830 x 256	12	A72P72	A72P72G	10	68.00 x 68.00	1727 x 1727	1 (X-form)
A604812SSLP	60.06 x 48.06 x 12.06	1526 x 1221 x 306	12	A60P48	A60P48G	10	56.00 x 44.00	1422 x 1118	1 (X-form)
A606012SSLP	60.06 x 60.06 x 12.06	1526 x 1526 x 306	12	A60P60	A60P60G	10	56.00 x 56.00	1422 x 1422	1 (X-form)
A726012USSLP	72.06 x 60.06 x 12.06	1830 x 1526 x 306	12	A72P60	A72P60G	10	68.00 x 56.00	1727 x 1422	1 (X-form)
A727212USSLP	72.06 x 72.06 x 12.06	1830 x 1830 x 306	12	A72P72	A72P72G	10	68.00 x 68.00	1727 x 1727	1 (X-form)
A604816SSLP	60.06 x 48.06 x 16.06	1526 x 1221 x 408	12	A60P48	A60P48G	10	56.00 x 44.00	1422 x 1118	1 (X-form)
A606016SSLP	60.06 x 60.06 x 16.06	1526 x 1526 x 408	12	A60P60	A60P60G	10	56.00 x 56.00	1422 x 1422	1 (X-form)
A726016USSLP	72.06 x 60.06 x 16.06	1830 x 1526 x 408	12	A72P60	A72P60G	10	68.00 x 56.00	1727 x 1422	1 (X-form)
A727216USSLP	72.06 x 72.06 x 16.06	1830 x 1830 x 408	12	A72P72	A72P72G	10	68.00 x 68.00	1727 x 1727	1 (X-form)
A604820SSLP	60.06 x 48.06 x 20.06	1526 x 1221 x 510	12	A60P48	A60P48G	10	56.00 x 44.00	1422 x 1118	1 (X-form)
A726020USSLP	72.06 x 60.06 x 20.06	1830 x 1526 x 510	12	A72P60	A72P60G	10	68.00 x 56.00	1727 x 1422	1 (X-form)
A727220USSLP	72.06 x 72.06 x 20.06	1830 x 1830 x 510	12	A72P72	A72P72G	10	68.00 x 68.00	1727 x 1727	1 (X-form)
A604824SSLP	60.06 x 48.06 x 24.06	1526 x 1221 x 611	12	A60P48	A60P48G	10	56.00 x 44.00	1422 x 1118	1 (X-form)
A606024SSLP	60.06 x 60.06 x 24.06	1526 x 1526 x 611	12	A60P60	A60P60G	10	56.00 x 56.00	1422 x 1422	1 (X-form)
A726024USSLP	72.06 x 60.06 x 24.06	1830 x 1526 x 611	12	A72P60	A72P60G	10	68.00 x 56.00	1727 x 1422	1 (X-form)
A727224USSLP	72.06 x 72.06 x 24.06	1830 x 1830 x 611	12	A72P72	A72P72G	10	68.00 x 68.00	1727 x 1727	1 (X-form)

Purchase panels separately.



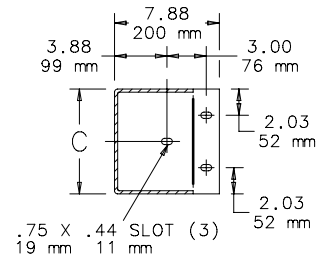
SECTION Y-Y



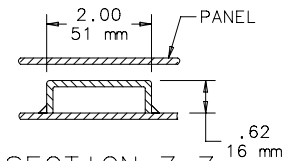
SECTION X-X

(LIFTING ANGLES AND LIGHT CHANNEL NOT SHOWN)

NOTE:
Right door has removable 12 x 12.00 (305mm x 305mm) data pocket



SECTION W-W



SECTION Z-Z