

**FREE-STAND, TYPE 4X**

**INDUSTRY STANDARDS**

UL 508A Listed; Type 3, 3R, 4, 4X, 12; File No. E61997  
 cUL Listed per CSA C22.2 No 94; Type 3, 3R, 4, 4X, 12; File No. E61997  
 Enclosure flammability evaluated per UL 508A

NEMA Type 3, 3R, 4, 4X, 12, 13  
 E.I.A. RS-310-D  
 IEC 60529, IP66  
 Meets NEMA Type 3RX requirements

**APPLICATION**

An economical housing for corrosive environments, single-door, free-stand enclosures provide a versatile solution for applications that require flexibility when mounting panels and racks. Benefits include easy access to equipment, larger capacity for control systems, steel reinforcements for stability and strength, captivated door screws and an optional POWERGLIDE Handle for secure latching.

**SPECIFICATIONS**

- Fiberglass-reinforced polyester material has excellent temperature and chemical resistance and exhibits outstanding physical properties
- Fiberglass material is easily punched, drilled, filed or sawed
- Models have either a 3-point latching system with handle or stainless steel captivated door screws
- Gasket assures water-tight and dust-tight seal
- Painted steel top, bottom and side internal reinforcements standard; stainless steel corner reinforcements optional
- Heavy-duty Type 316 stainless steel lifting eyes
- Accessory mounting channels attached horizontally to interior body sides at top, bottom and center. Painted mounting channels standard; stainless steel optional.
- Panels and rack-mounting angles can be mounted anywhere along corner channels; panels can be mounted on sides or back
- Hinges are corrosion-resistant fiberglass with Type 316 stainless steel hinge pins
- Large, high-impact thermoplastic data pocket (12.00 x 12.00 in. or 305 x 305 mm) is provided
- Molded-in angular sealing flange directs water away from gasket area
- Type 316 stainless steel POWERGLIDE Handle on handle versions
- Material is halogen free

**FINISH**

Standard fiberglass enclosure is gray inside and out. Optional mild-steel panels are painted white. Optional conductive panels are available.

**ACCESSORIES**

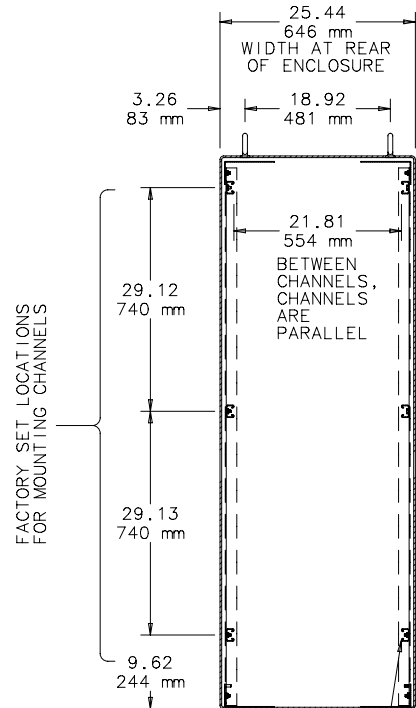
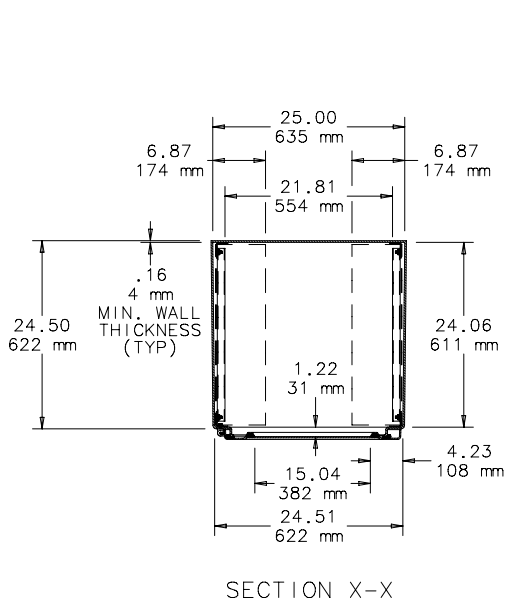
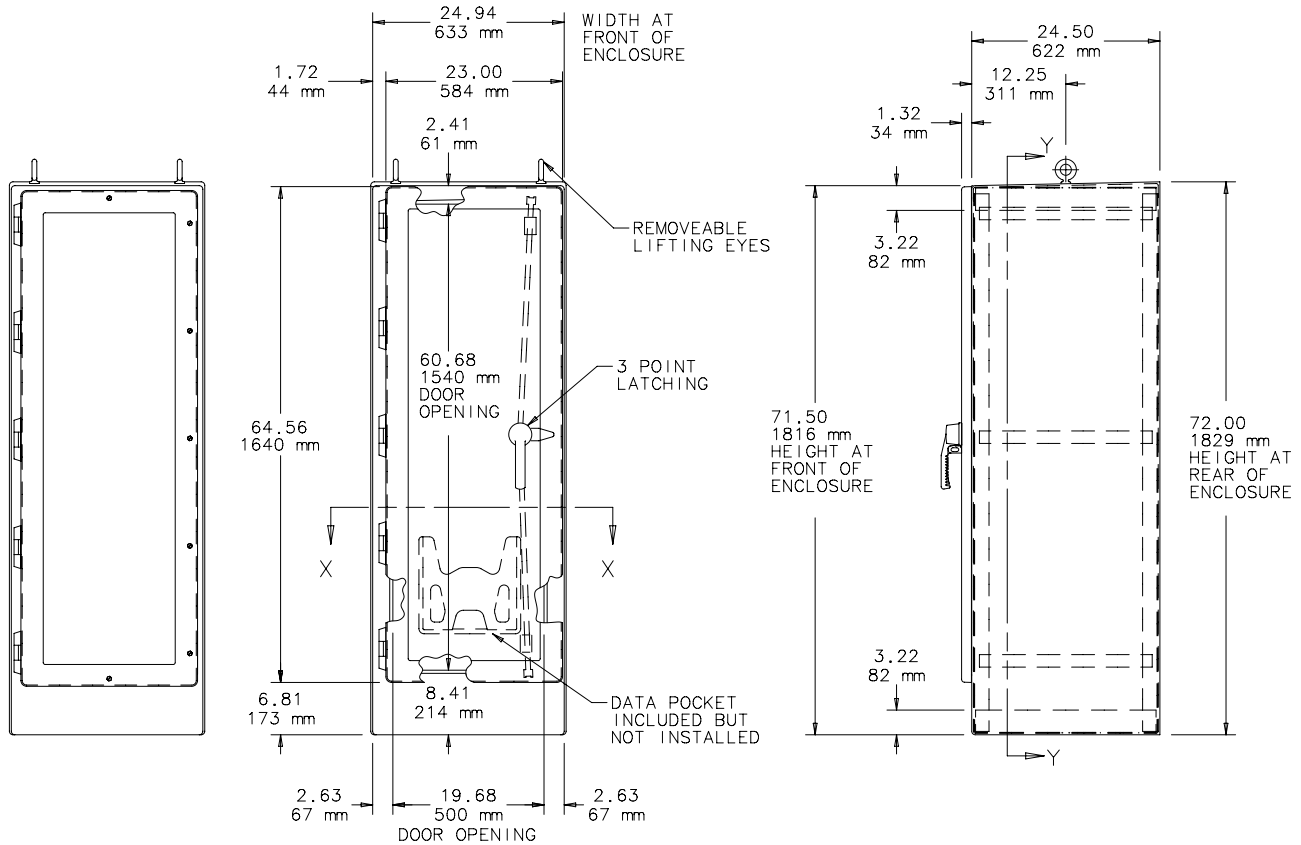
See also Accessories.  
 Accessory Selection for Free-Stand, Type 4X  
 Floor Stand Kit  
 H2OMIT Vent Drains, Type 4X  
 H2OMIT Thermoelectric Dehumidifier  
 HOL-SEALERS Non-Metallic Hole Seals

**MODIFICATION AND CUSTOMIZATION**

Hoffman excels at modifying and customizing products to your specifications. Contact your local Hoffman sales office or distributor for complete information.

**BULLETIN: A17**
**Standard Product**

| Catalog Number | AxBxC in.             | AxBxC mm         | Description   | Estimated Ship Wt. (lb.) | Estimated Ship Wt. (kg) |
|----------------|-----------------------|------------------|---|--------------------------|-------------------------|
| A722525F6FS    | 72.00 x 25.00 x 24.50 | 1829 x 635 x 622 | Stainless steel captivated door screws                  | 215                      | 97.5                    |
| A722525F6FS3PT | 72.00 x 25.00 x 24.50 | 1829 x 635 x 622 | 3-point latching system/Type 316 stainless steel handle | 215                      | 97.5                    |



87800309

NOTE: Door opens 175°.

MOUNTING CHANNELS FOR REGULAR PANELS, SWING OUT PANELS, AND RELAY RACK ANGLES, CHANNELS ARE REMOVEABLE AND CAN BE REPOSITIONED