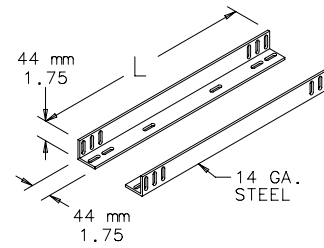


**GUIDES**


14 gauge steel chassis guides mount between two pairs of rack-mounting angles that have accessory mounting legs. Guides and mounting hardware are plated. [XSFG mount on one pair of Type RA rack-mounting angles that have accessory mounting legs.]

BULLETIN: P20



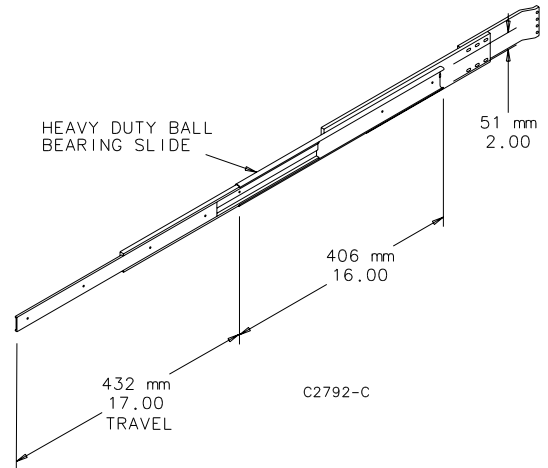
87799603

Catalog Number	Length in./mm	Rack Units
AG1U5	15.00 381.0	1
AG1U6	21.00 533.4	1
AG1U8	26.00 660.4	1

**SLIDES**


Heavy-duty ball bearing, plated, three-section Slides are 16-in. (406-mm) long and allow 17-in. (423-mm) extension. They are attached to supports that mount between two pairs of rack-mounting angles that have accessory mounting legs. Mounting hardware is furnished. Equipment 16.75-in. (425-mm) wide can be mounted between Slide assemblies installed on 19-in. rack angles. A pair of Slides can support up to 160 lb. (73 kg) at the extended position when load is distributed evenly along the 16-in. (406-mm) Slide length. Requires Rack Angle Adapter Bracket to fit PROLINE. *Needs to be used with the Rack Angle Adapter Bracket (PBRAA, PBRAA19 or PBRAA24).*

BULLETIN: P20



Catalog Number	Quantity
A16SL2U	2

## FAN SPEED CONTROL, RACK-MOUNT



### INDUSTRY STANDARDS

UL 508A Listed; File No. E249700  
 cUL Listed per CSA C22.2 No. 14; File No. E249700

### APPLICATION

These Hoffman Fan Speed Controls provide a means to optimize airflow in a cabinet or rack, balancing air volume requirements with noise level and power use. The AFANTSC Panel Mount Fan Speed Control adjusts fan speed automatically based on remote temperature sensor inputs. The A19FANSC 19-in. Rack-Mount Fan Speed Control allows manual control over fan speed. Both units are designed to work with Hoffman 3-, 6- and 10-in. Compact Cooling Fans and with 19-in. fan trays, as well as door- and top-mount fan trays. These fan speed controls are ideal for offices, classrooms and other acoustic noise-sensitive areas.

### SPECIFICATIONS

- Continuously variable fan speed control knob with minimum speed adjustment
- Uses 1 RU rack space
- Steel construction
- Two NEMA 5-15R outlets provide power to fan
- Six-foot (1.83-m) power cord plugs into standard 120V 60 Hz outlet

### FINISH

AFANTSC: Light-gray polycarbonate control housing  
 A19FANSC: RAL 9005 black polyester powder paint

BULLETIN: DTHRM

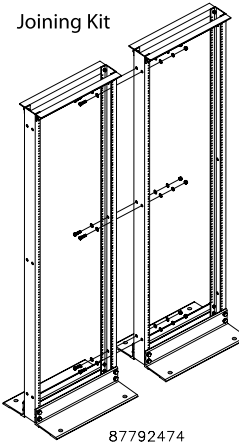
Catalog Number	Description	Application	Voltage and Frequency	Current Draw	Temperature Settings (C)	Temperature Settings (F)
A19FANSC	19-in. Rack-Mount Fan Speed Control	Fan speed adjusted manually	120V, 60 Hz	4A max.	Continuously variable	Continuously variable

## JOINING KIT

Hardware kit to join two open-frame racks. Made of steel with plated finish.

BULLETIN: DOFRY

Catalog Number	Description
EJ2DR	Joining Kit, Side-to-Side

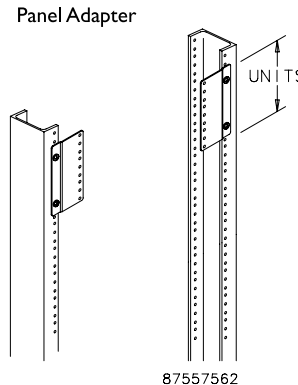


## PANEL ADAPTER

Adapts 23-in. open frame rack to accept 19-in. equipment. Offset provides flush mounting surface. Steel with plated finish. Furnished in pairs.

BULLETIN: DACCY

Catalog Number	Rack Units
ERB1U2319	1
ERB3U2319	3
ERB5U2319	5



### RACK UNIT LABEL



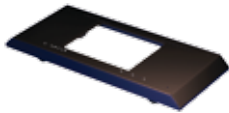
Self-adhesive clear Mylar label with white numbers enables numbering along sides of open frame racks or rack angles. Numbers spaced one rack unit apart. Can be used for bottom-up or top-down numbering of rack units to simplify equipment installation. Each label provided in two pieces (numbers 1-29 and 30-58) for easier installation. Two labels per catalog number. Label shown mounted on rack angle.

*Mylar is a registered trademark of DuPont Tejin Films.*

#### BULLETIN: DOFRY

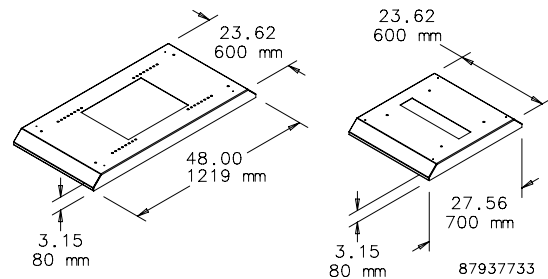
Catalog Number	Installed Length in./mm	Width in./mm
ARULABEL	101.50 2578	.50 13

### MOBILE BASE FOR OPEN FRAME RACKS



Models for 19-in. 2- and 4-Post Open Frame Racks. Includes four non-locking casters. Will also accept standard levelers. Order catalog number PMBLM12 separately. The rack mounts on the base to provide greater stability with mobility. Made of steel with RAL 9005 black polyester powder paint finish. Mounting hardware included.

#### BULLETIN: DOFRY



Catalog Number	Fits
A19MB600	2-post open-frame racks
A19MB1000	4-post open-frame racks with depth adjustable between 17.7- and 29.5-in. (450- and 750-mm) in 0.98-in. (25-mm) increments

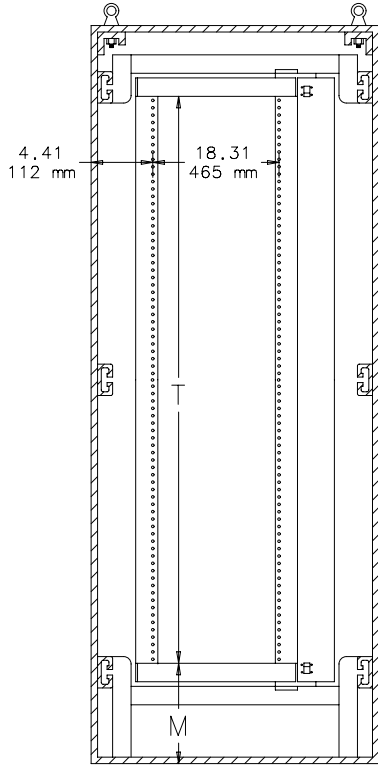
### SWING-OUT RACK MOUNTING FRAMES

Full-length 10 gauge swing-out rack mounting frames are available for mounting 19-in. (483-mm) rack mounting equipment. The frame pivots within the enclosure to allow access to the back of the mounted equipment. The frames can be installed in 72.00-in. (1829-mm) and 90.00-in. (2286-mm) high enclosures that are 30.00-in. (762-mm) or 36.00-in. (914-mm) wide. They can be installed in 60.00-in. (1524-mm) or 72.00-in. (1829-mm) wide enclosures if a center panel support is used. Mounting holes are tapped with #10-32 threads spaced per EIA standard. The design features smooth operation and secure positioning anywhere along the horizontal mounting channels. Frame swings from the left side. All frames are white and furnished with plated mounting hardware.

#### BULLETIN: A80

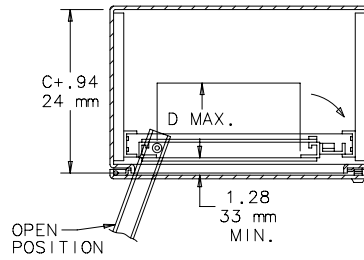
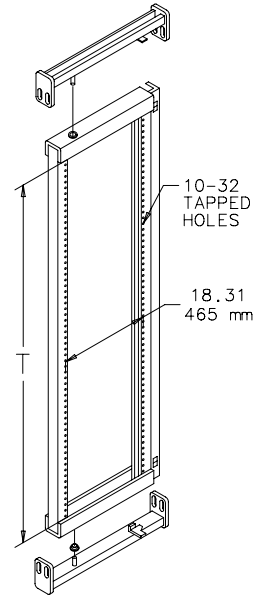
Catalog Number	Fits Enclosure				
	Size A x B in./mm	T in./mm	M in./mm	D max in./mm	Number of Units
A7230SOF19	72.06 x 30.06	57.88	9.09	16.25	33
	1830 x 764	1470	231	413	
A7236SOF19	72.06 x 36.06	57.88	9.09	24.25	33
	1830 x 916	1470	231	616	
A9036SOF19	90.06 x 36.06	75.28	9.34	24.25	43
	2287 x 916	1915	237	616	

One unit equals 1.75 inches (44mm).

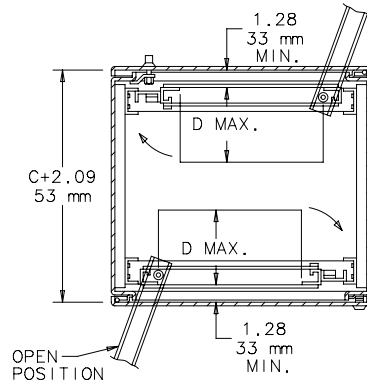


C2494-C

SECTION A-A



SECTION B-B



SECTION B-B

### RACK MOUNTING ANGLES - U STYLE (TYPE RA)

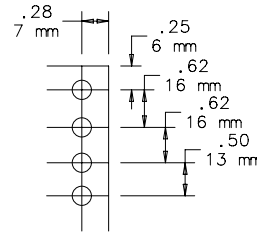
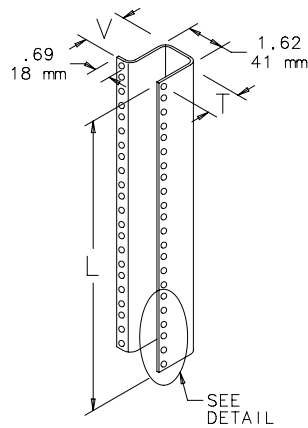
For Free-Stand Enclosures, Type 12 (Bulletin A30), Free-Stand Enclosures, Type 4 (Bulletin A4L) and One-Door Free-Stand Fiberglass Enclosures, Type 4X (Bulletin A17).

Pairs of full-length rack mounting angles are available for mounting 19-in. (483-mm) and 24-in. (610-mm) rack-mounted equipment. Type RA rack mounting angles are 14 gauge steel with mounting holes .281 in. (7 mm) in diameter and spaced per EIA standard RS-310-D universal spacing. Use clip nut package AN1032 to provide tapped holes at desired locations. Angles and mounting hardware are plated. All mounting hardware is furnished. Includes two full-length angles.

**BULLETIN: A80**

Catalog Number	Fits Enclosure		K in./mm	L in./mm	M in./mm	T in./mm	V in./mm	For Rack Size in./mm	Number of Units
	A x B in./mm								
A60RA19TH	60.00 x 24.00 60 x 24		3.78 96	49.00 1245	7.78 198	1.95 50	1.89 48	19.00 483	28
A72RA19TH	72.00 x 24.00 1829 x 610		3.66 93	61.25 1556	7.66 195	1.95 50	1.89 48	19.00 483	35
A72RA24TH	72.00 x 30.00 1829 x 762		3.66 93	61.25 1556	7.66 195	2.45 62	2.39 61	24.00 610	35
A90RA19TH	90.00 x 24.00 2286 x 610		3.91 99	78.75 2000	7.91 201	1.95 50	1.89 48	19.00 483	45

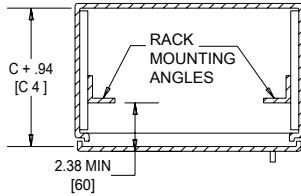
One unit equals 1.75 inches (44 mm).



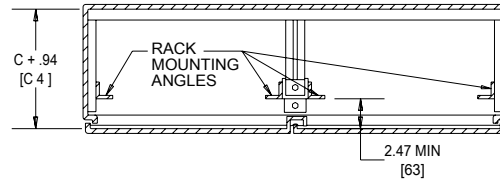
HOLE DETAIL

87799724

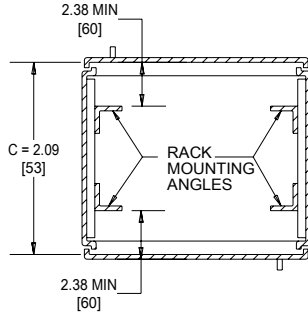
Rack Mounting Angles Installed in Enclosures



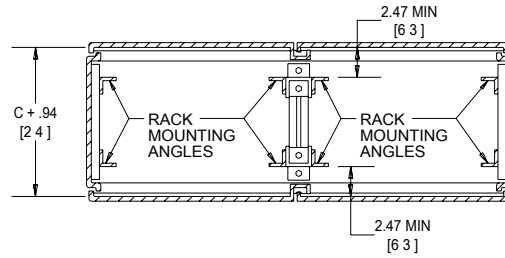
**SECTION B-B**  
Showing rack mounting angles installed in single-door enclosure



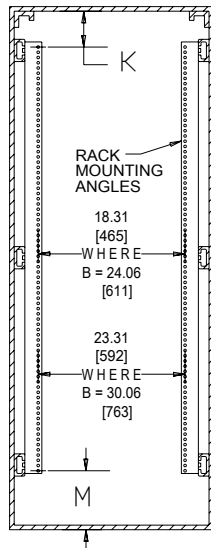
**SECTION B-B**  
Showing two sets of rack mounting angles and center panel supports mounted in two-door enclosure



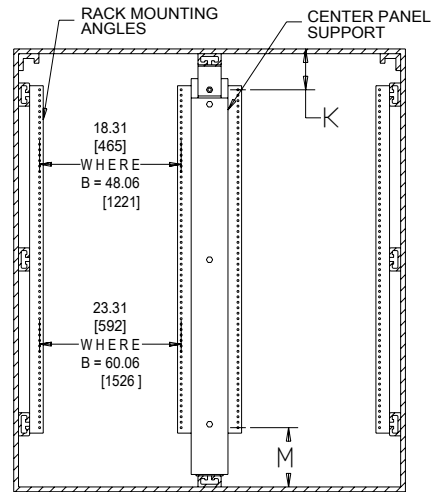
**SECTION B-B**  
Showing two sets of rack mounting angles mounted in single-door, dual-access enclosure



**SECTION B-B**  
Showing four sets of rack mounting angles and two center panel supports mounted in two-door, dual-access enclosure



**SECTION A-A**



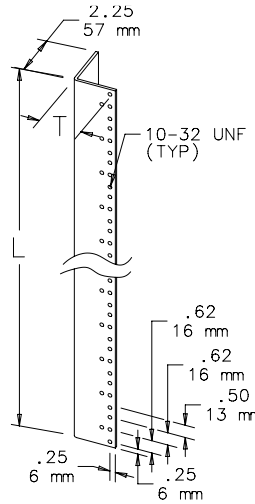
**SECTION A-A**

C2497-C

### RACK MOUNTING ANGLES - L STYLE (TYPE RP)

For Free-Stand Enclosures, Type 12 (Bulletin A30), Free-Stand Enclosures, Type 4 (Bulletin A4L) and One-Door Free-Stand Fiberglass Enclosures, Type 4X (Bulletin A17). Pairs of full-length or half-length rack mounting angles are available for mounting 19-in. (483-mm) and 24-in. (610-mm) rack-mounted equipment. Type RP rack mounting angles are 10 gauge steel with mounting holes tapped #10-32 thread and spaced per EIA standard RS-310-D universal spacing. Angles and mounting hardware are plated. All mounting hardware is furnished.

**BULLETIN: A80**

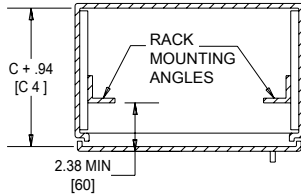


C2626-C

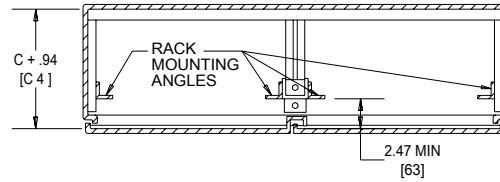
Catalog Number	Description	Fits Enclosure A x B in./mm	For Rack Size in./mm	K in./mm	L in./mm	M in./mm	T in./mm	Number of Units
A60RP24F5	Two full-length angles	60.00 x 24.00	19.00	3.78	49.00	7.78	1.94	28
		1524 x 610	483	96	1245	198	49	
A60RP24F6	Two half-length angles	60.00 x 24.00	19.00	3.59	260/25	7.59	1.94	15
		1524 x 610	483	91	667	193	49	
A72RP24F5	Two full-length angles	72.00 x 24.00	19.00	3.66	61.25	7.66	1.94	35
		1829 x 610	483	93	1556	195	49	
A72RP24F6	Two half-length angles	72.00 x 24.00	19.00	3.97	31.50	7.97	1.94	18
		1829 x 610	483	1.01	800	202	49	
A72RP30F5	Two full-length angles	72.00 x 30.00	24.00	3.66	61.25	7.66	2.44	35
		1829 x 762	610	93	1556	195	62	
A72RP30F6	Two half-length angles	72.00 x 30.00	24.00	3.97	31.50	7.97	2.44	18
		1829 x 762	610	1.01	800	202	62	
A90RP24F5	Two full-length angles	90.00 x 24.00	19.00	3.91	78.75	7.91	1.94	45
		2286 x 610	483	99	2000	201	49	
A90RP24F6	Two half-length angles	90.00 x 24.00	19.00	4.09	40.25	8.09	1.94	23
		2286 x 610	483	104	1022	205	49	

One unit equals 1.75 inches (44 mm).

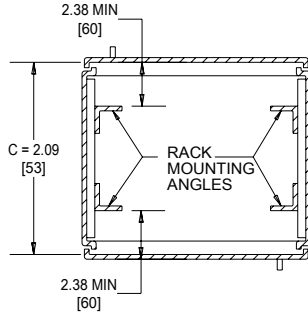
Rack Mounting Angles Installed in Enclosures



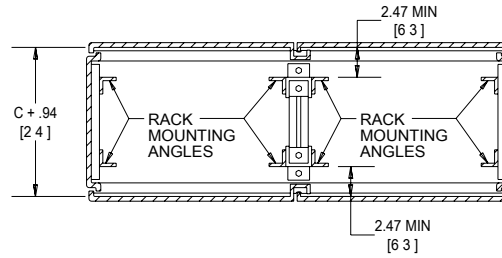
**SECTION B-B**  
Showing rack mounting angles installed in single-door enclosure



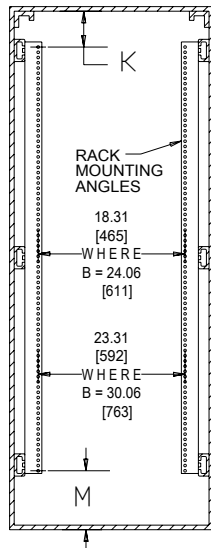
**SECTION B-B**  
Showing two sets of rack mounting angles and center panel supports mounted in two-door enclosure



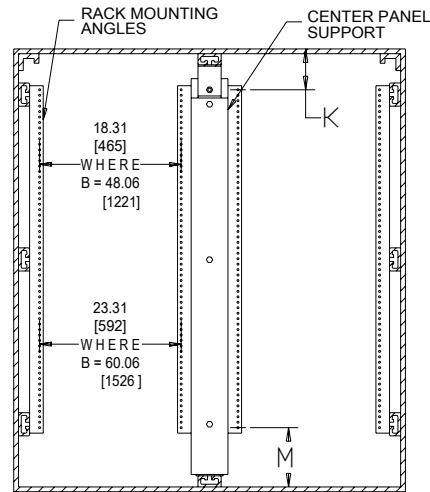
**SECTION B-B**  
Showing two sets of rack mounting angles mounted in single-door, dual-access enclosure



**SECTION B-B**  
Showing four sets of rack mounting angles and two center panel supports mounted in two-door, dual-access enclosure



**SECTION A-A**



**SECTION A-A**

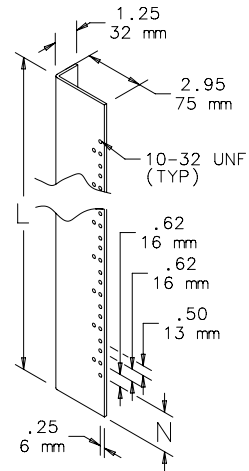
C2497-C



### RACK MOUNTING ANGLE KIT - L STYLE

Designed for mounting 19-in. (483-mm) rack-mount equipment in standard 24-in. (610-mm) wide one-door, wall-mount Type 4 and 12 enclosures. Heavy 10 gauge steel angles are tapped with #10-32 threads spaced to meet EIA RS-310-D. To install, drill small holes in the sides of the enclosure and bolt angles in place. All mounting hardware and instructions are furnished. Sealing washers also are provided to maintain original enclosure standards rating after installation. Rack angles are zinc-plated. External screws are stainless steel. Special sizes, materials and finishes are available on custom order.

**BULLETIN: A80**



Catalog Number	Description	For Enclosure Size A x B in./mm	L in./mm	N in./mm	Number of Units
ARAK24	Two Angles	24.00 x 24.00 610 x 610	23.75 603	1.62 41	12
ARAK30	Two Angles	30.00 x 24.00 762 x 610	29.75 756	2.00 51	15
ARAK36	Two Angles	36.00 x 24.00 914 x 610	35.75 908	1.50 38	19

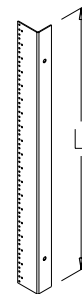
One unit equals 1.75 inches (44 mm).

### 19-IN. AND 23-IN. RACK ANGLES



Made of 14 gauge steel with square holes or 12 gauge steel with 10-32 tapped holes. Provides 19- or 23-in. rack spacing depending on frame width. Finished with flat black RAL 9005 polyester powder paint or plated. Furnished in pairs.

**BULLETIN: DNCY, DWDH1**



87570462

Catalog Number	Rack Spacing	Hole Type	Finish	Use With	Fits Frame Height	Fits Frame Width	Rack Units	L (mm)	L (in.)
ERA197THLN	19 in.	Square	Black	Networking Cabinet - SOHO	700mm	600mm	11	492	19.38
ERA197TPLN	19 in.	Tapped	Black	Networking Cabinet - SOHO	700mm	600mm	11	492	19.38
ERA1921TPL	19 in.	Tapped	Black	Seismic Cabinet	2100mm	700mm	45	2003	78.87
ERA192321TPL	19 and 23 in.	Tapped	Black	Seismic Cabinet	2100mm	800mm	45	2003	78.87
ERA1910TPL	19 in.	Tapped	Black	Network PC Cabinet	Bottom Section	—	19	848	33.37

### Notes