

# **BALDOR**® • ***RELIANCE***

## **Product Information Packet**

# **CEM4104T**

**30HP, 1760RPM, 3PH, 60HZ, 286TC, 1056M, TEFC, F**

Part Detail							
Revision:	R	Status:	PRD/A	Change #:		Proprietary:	No
Type:	AC	Prod. Type:	1056M	Elec. Spec:	10WGY538	CD Diagram:	CD0180
Enclosure:	TEFC	Mfg Plant:		Mech. Spec:	10C152	Layout:	10LYC152
Frame:	286TC	Mounting:	F1	Poles:	04	Created Date:	05-17-2010
Base:	RG	Rotation:	R	Insulation:	F	Eff. Date:	11-12-2015
Leads:	9#8					Replaced By:	
Literature:		Elec. Diagram:					

Nameplate NP3443LUA							
CAT.NO.	CEM4104T	P/N		ENCLOSURE	TEFC		
SPEC.	10C152Y538G1	CC	010A	FRAME	286TC	S/N	
HP	30	CLASS	F	HZ	60		
RPM	1760	PH	3	DES	A		
VOLT	230/460	KVA-CODE	J	ODE BRG	6309	DE BRG	6311
AMP	76/38	USABLE AT 208V	78				
RATING	40C AMB-CONT	NEMA-NOM-EFF	93.6	GREASE	POLYREX EM		
PF	80	SER.F.	1.15				
USABLE AT	50Hz 30HP 190/380V 88/44A	SF1.0					
HTR-VOLTS		HTR-AMPS		MAX. SPACE HEATER TEMP.			

**AC Induction Motor Performance Data**

Record # 32189 - Typical performance - not guaranteed values

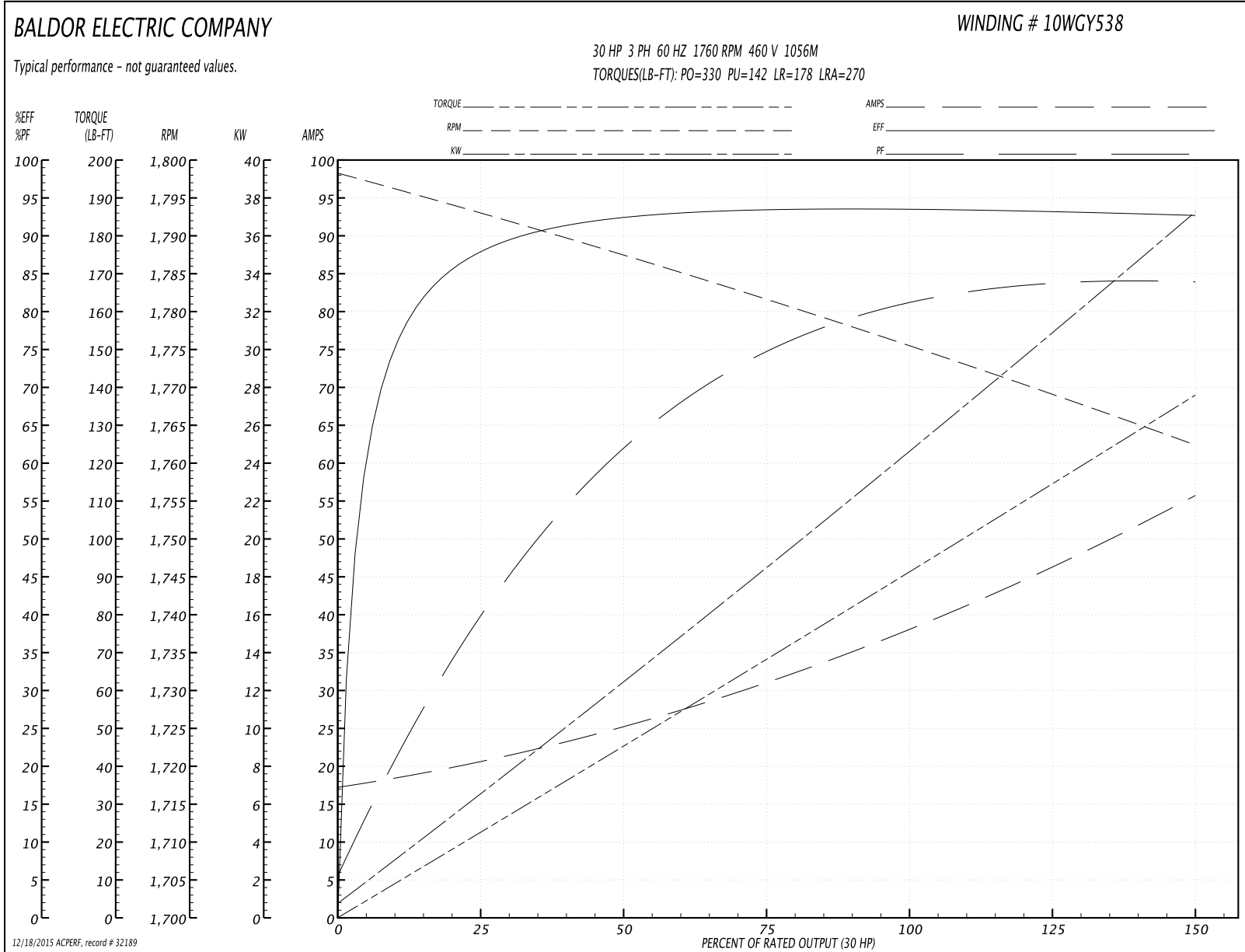
<b>Winding:</b> 10WGY538-R004	<b>Type:</b> 1056M	<b>Enclosure:</b> TEFC
-------------------------------	--------------------	------------------------

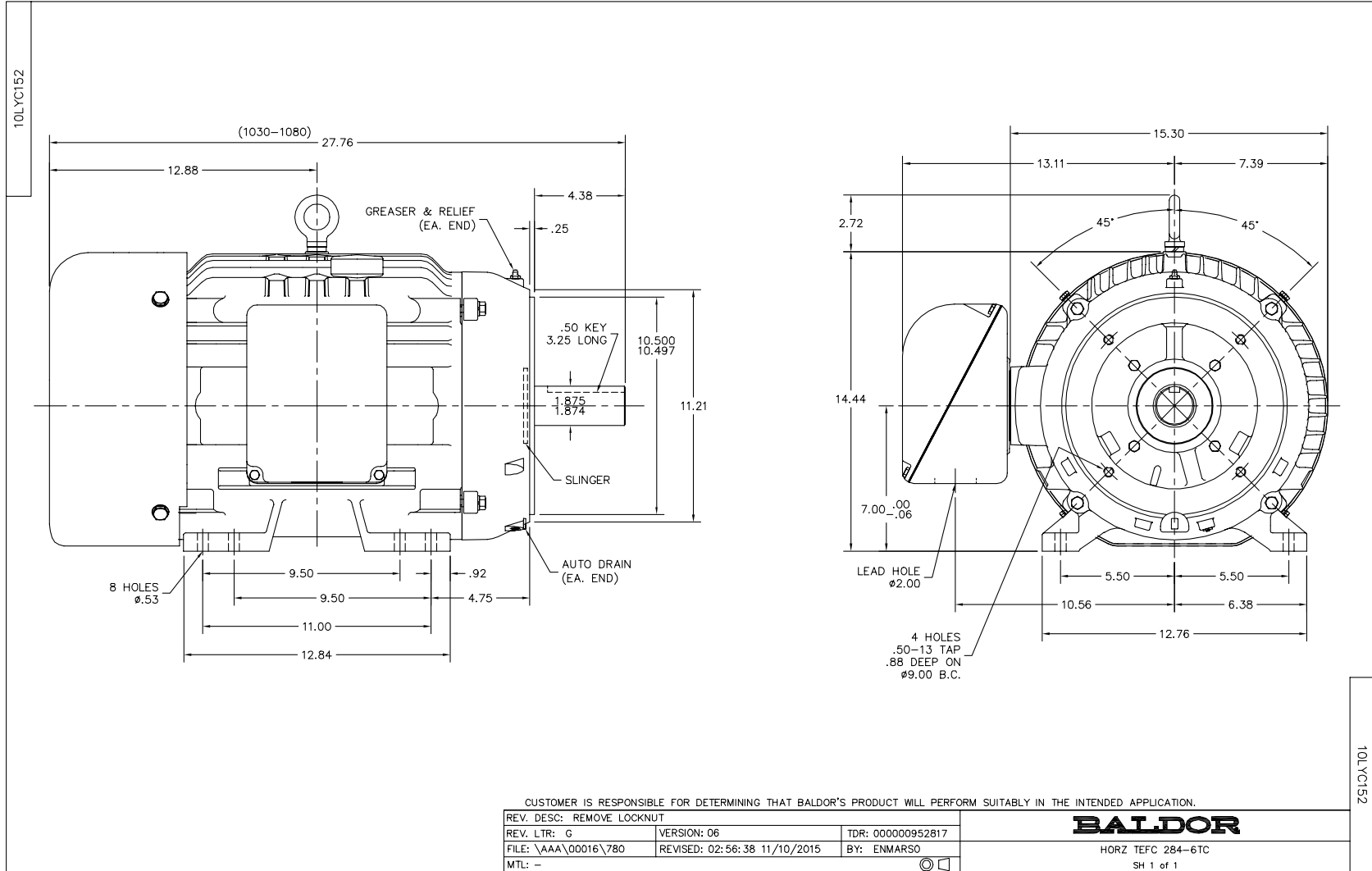
Nameplate Data				460 V, 60 Hz: High Voltage Connection	
Rated Output (HP)	30			Full Load Torque	88.7 LB-FT
Volts	230/460			Start Configuration	direct on line
Full Load Amps	76/38			Breakdown Torque	330 LB-FT
R.P.M.	1760			Pull-up Torque	142 LB-FT
Hz	60	Phase	3	Locked-rotor Torque	178 LB-FT
NEMA Design Code	A	KVA Code	J	Starting Current	270 A
Service Factor (S.F.)	1.15			No-load Current	17.9 A
NEMA Nom. Eff.	93.6	Power Factor	80	Line-line Res. @ 25°C	0.19377 Ω
Rating - Duty	40C AMB-CONT			Temp. Rise @ Rated Load	64°C
S.F. Amps				Temp. Rise @ S.F. Load	76°C
				Rotor inertia	4.47 LB-FT <sup>2</sup>

Load Characteristics 460 V, 60 Hz, 30 HP

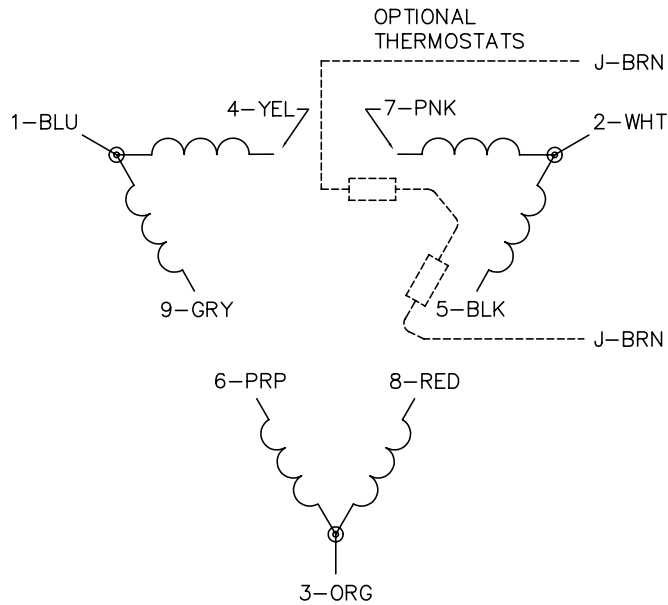
% of Rated Load	25	50	75	100	125	150	S.F.
Power Factor	41	63	73	80	82	85	81
Efficiency	87.6	92.3	93.5	93.7	93.4	92.9	93.5
Speed	1792.2	1787.6	1782.4	1776.5	1770.3	1762.1	1773
Line amperes	19.8	24.3	30.7	37.6	45.6	55.2	42.4

Performance Graph at 460V, 60Hz, 30.0HP Typical performance - Not guaranteed values

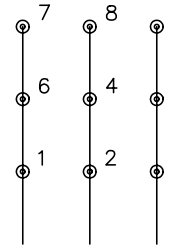




CD0180

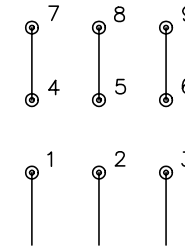


LOW VOLTAGE  
(2D)



LINE

HIGH VOLTAGE  
(1D)



LINE

NOTES:

1. INTERCHANGE ANY TWO LINE LEADS TO REVERSE ROTATION.
2. OPTIONAL THERMOSTATS ARE PROVIDED WHEN SPECIFIED.
3. ACTUAL NUMBER OF INTERNAL PARALLEL CIRCUITS MAY BE A MULTIPLE OF THOSE SHOWN ABOVE.
4. LEAD COLORS ARE OPTIONAL. LEADS MUST ALWAYS BE NUMBERED AS SHOWN.

REV. DESC: REVISE TO SHOW OPTIONAL COLORS			
REV. LTR: C	BY: JLP	REVISED: 01/21/99 2:28	TDR: 0171435
0810D0		FILE: AAA00005148	MDL: -
		MTL: -	

**BALDOR ELECTRIC Co.**

3PH, DV, 9 LEADS, DELTA CONNECTION

CD0180