

BALDOR® • *RELIANCE*

Product Information Packet

CL3513

1.5HP,3450RPM,1PH,60HZ,56C,3528L,TEFC,F1

Part Detail							
Revision:	AB	Status:	PRD/A	Change #:		Proprietary:	No
Type:	AC	Prod. Type:	3528L	Elec. Spec:	35WG0199	CD Diagram:	CD0001
Enclosure:	TEFC	Mfg Plant:		Mech. Spec:	35T946	Layout:	35LYT946
Frame:	56C	Mounting:	F1	Poles:	02	Created Date:	06-22-2007
Base:	RG	Rotation:	R	Insulation:	B	Eff. Date:	08-27-2015
Leads:	4#16 A PH,2#18 B PH					Replaced By:	
Literature:		Elec. Diagram:					

Nameplate NP1256L							
CAT.NO.	CL3513						
SPEC.	35T946-0199						
HP	1.5						
VOLTS	115/230						
AMP	15/7.5						
RPM	3450						
FRAME	56C	HZ	60	PH	1		
SER.F.	1.15	CODE	H	DES	L	CLASS	B
NEMA-NOM-EFF	70	PF	82				
RATING	40C AMB-CONT						
CC		USABLE AT 208V	7.9				
DE	6205	ODE	6203				
ENCL	TEFC	SN					

AC Induction Motor Performance Data

Record # 20308 - Typical performance - not guaranteed values

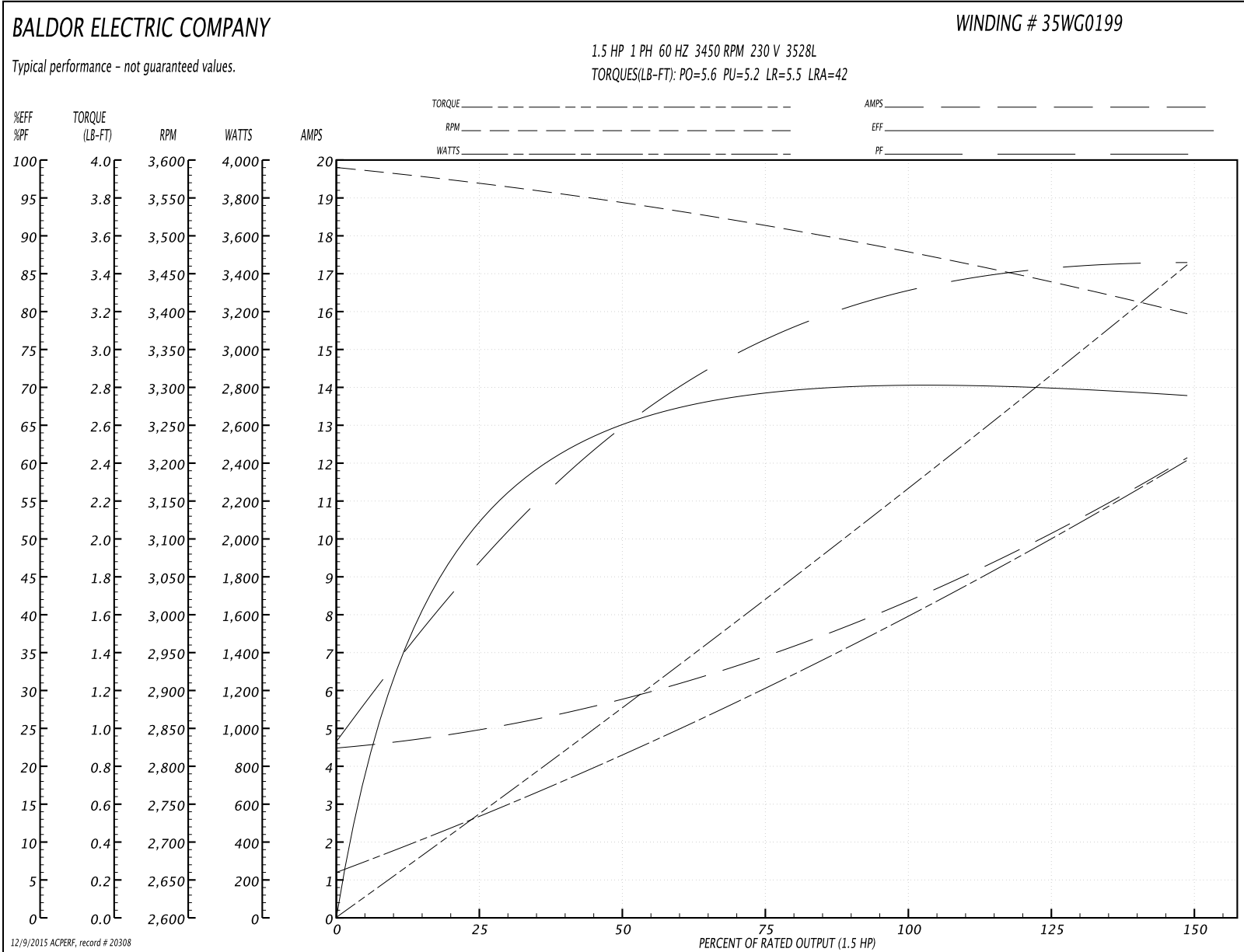
Winding: 35WG0199-R001	Type: 3528L	Enclosure: TEFC
-------------------------------	--------------------	------------------------

Nameplate Data				230 V, 60 Hz: High Voltage Connection	
Rated Output (HP)	1.5			Full Load Torque	2.3 LB-FT
Volts	115/230			Start Configuration	direct on line
Full Load Amps	15/7.5			Breakdown Torque	5.6 LB-FT
R.P.M.	3450			Pull-up Torque	5.2 LB-FT
Hz	60	Phase	1	Locked-rotor Torque	5.5 LB-FT
NEMA Design Code	L	KVA Code	H	Starting Current	42 A
Service Factor (S.F.)	1.15			No-load Current	4.5 A
NEMA Nom. Eff.	70	Power Factor	82	Line-line Res. @ 25°C	1.26 Ω A Ph 1.23 Ω B Ph
Rating - Duty	40C AMB-CONT			Temp. Rise @ Rated Load	70°C
S.F. Amps				Temp. Rise @ S.F. Load	84°C

Load Characteristics 230 V, 60 Hz, 1.5 HP

% of Rated Load	25	50	75	100	125	150	S.F.
Power Factor	47	64	73	80	84	86	82
Efficiency	51.9	65.3	68.4	71.2	70.6	68.4	70.8
Speed	3567	3541	3514	3475	3439	3397	3453
Line amperes	5	5.8	6.9	8.6	10.2	12.1	9.6

Performance Graph at 230V, 60Hz, 1.5HP Typical performance - Not guaranteed values



12/9/2015 ACPERF, record # 20308

AC Induction Motor Performance Data
Record # 53663 - Typical performance - not guaranteed values

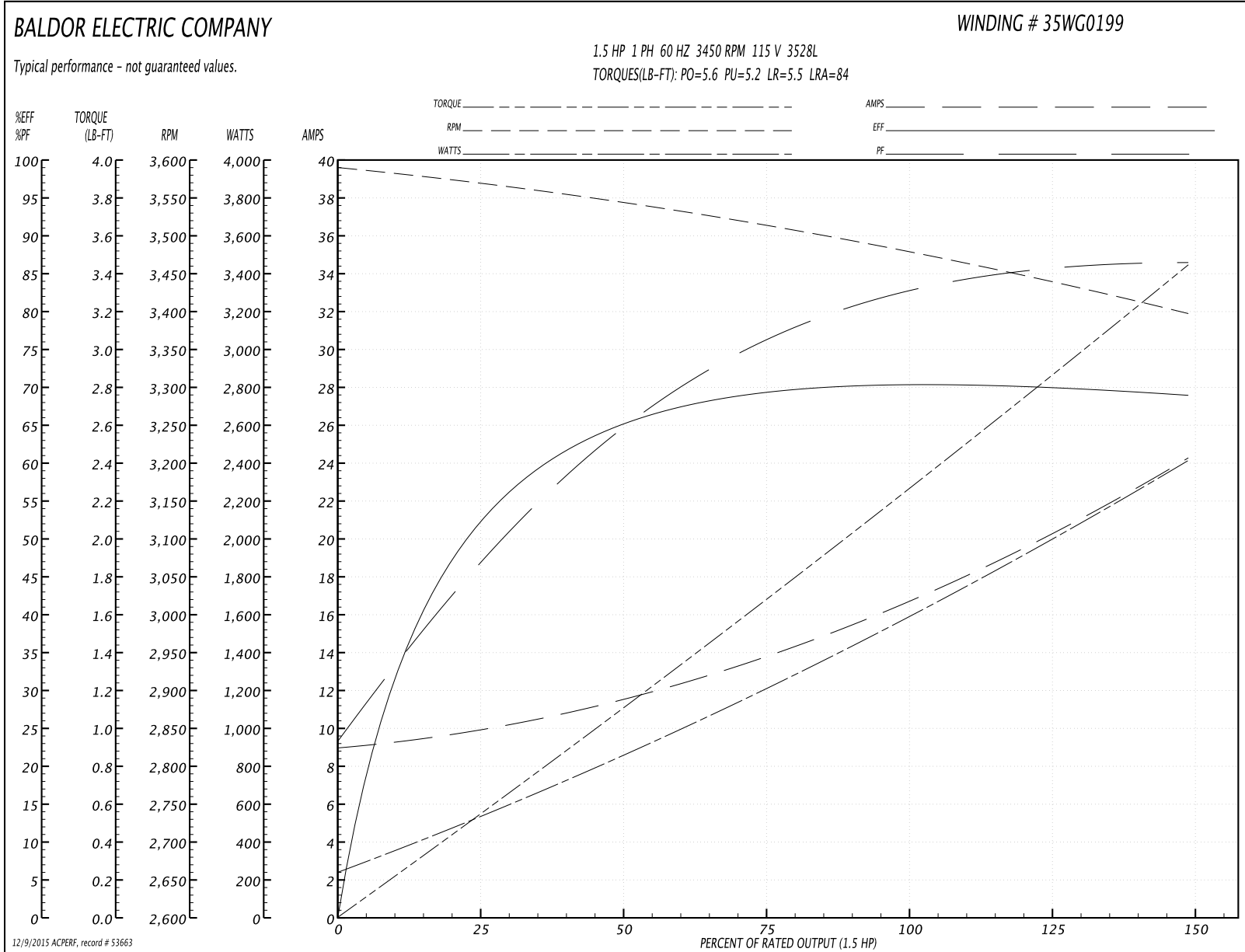
Winding: 35WG0199-R001	Type: 3528L	Enclosure: TEFC
-------------------------------	--------------------	------------------------

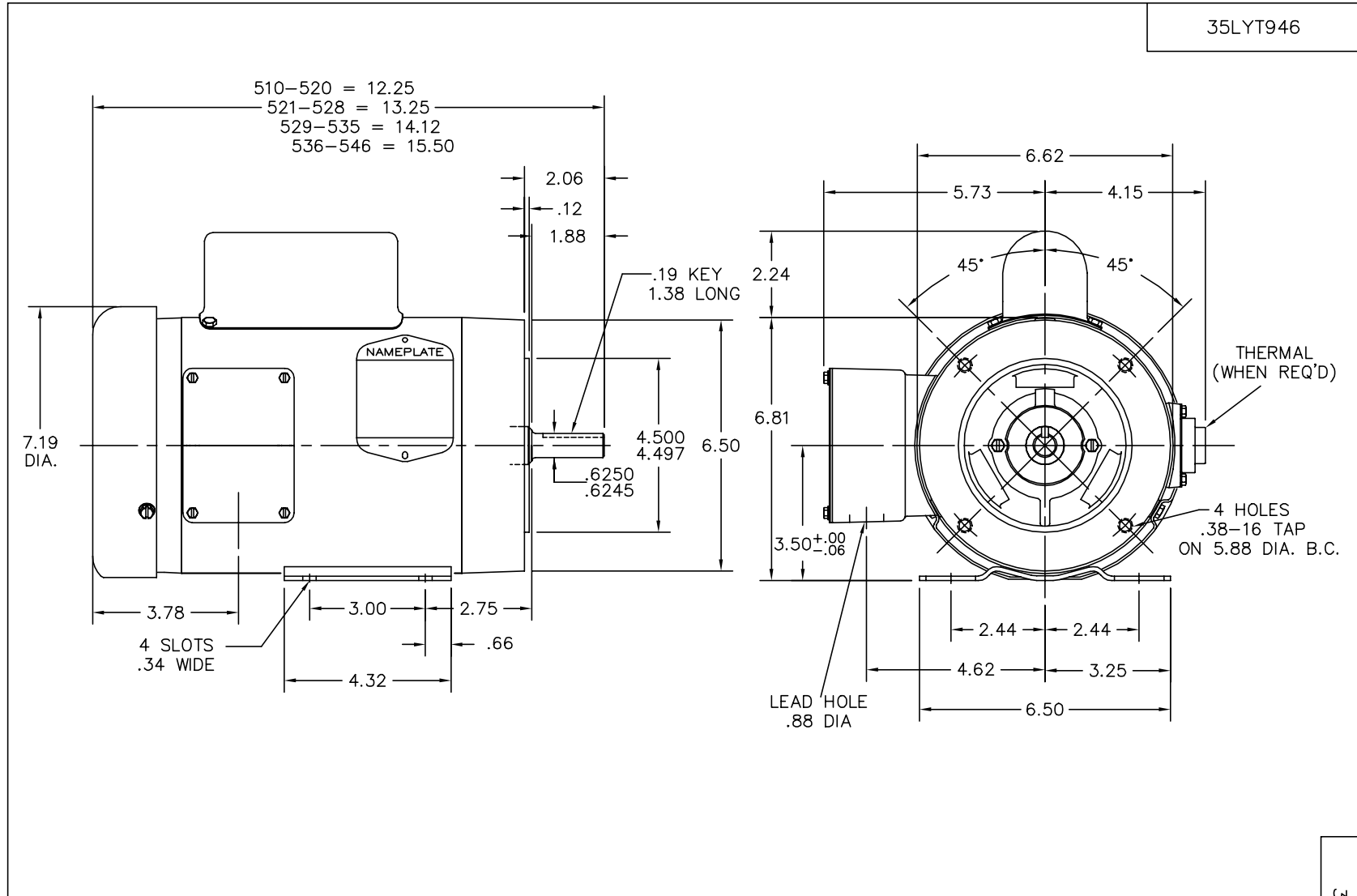
Nameplate Data				115 V, 60 Hz: Low Voltage Connection	
Rated Output (HP)	1.5			Full Load Torque	2.3 LB-FT
Volts	115/230			Start Configuration	direct on line
Full Load Amps	15/7.5			Breakdown Torque	5.6 LB-FT
R.P.M.	3450			Pull-up Torque	5.2 LB-FT
Hz	60	Phase	1	Locked-rotor Torque	5.5 LB-FT
NEMA Design Code	L	KVA Code	H	Starting Current	84 A
Service Factor (S.F.)	1.15			No-load Current	9 A
NEMA Nom. Eff.	70	Power Factor	82	Line-line Res. @ 25°C	0.333 Ω A Ph 1.24 Ω B Ph
Rating - Duty	40C AMB-CONT			Temp. Rise @ Rated Load	70°C
S.F. Amps				Temp. Rise @ S.F. Load	81°C
				Rotor inertia	0.0774 LB-FT ²

Load Characteristics 115 V, 60 Hz, 1.5 HP

% of Rated Load	25	50	75	100	125	150	S.F.
Power Factor	49	66	79	81	85	87	83
Efficiency	52	65.3	68.6	71.2	70.8	68.4	71
Speed	3567	3541	3514	3475	3439	3397	3453
Line amperes	10	11.6	13.8	17.2	20.4	24.2	19.1

Performance Graph at 115V, 60Hz, 1.5HP Typical performance - Not guaranteed values





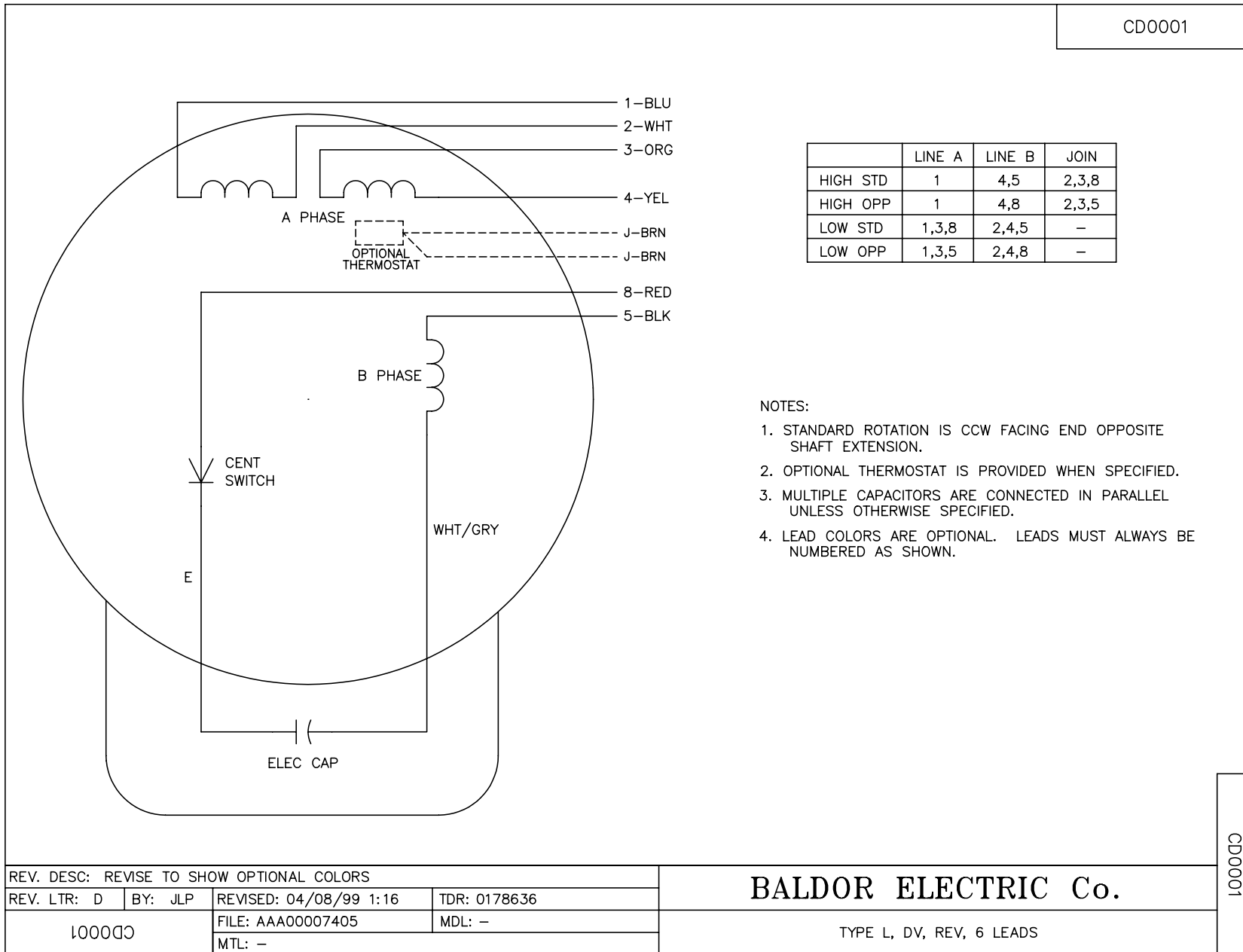
CUSTOMER IS RESPONSIBLE FOR DETERMINING THAT MOTOR PERFORMANCE IS SUITABLE IN THE APPLICATION.

REV. DESC: NEW			
REV. LTR: -	BY: KCT	REVISED: 12:24:47 11/14/2003	TDR: 317575
9461946		FILE: AAA00111242	REF: 35LYT946
		MTL: -	

BALDOR ELECTRIC Co.
STD FACE MTD HORZ 56C TEFC 35L, 2 POLE "W" BASE (35BA4010)

35LYT946

CD0001



NOTES:

1. STANDARD ROTATION IS CCW FACING END OPPOSITE SHAFT EXTENSION.
2. OPTIONAL THERMOSTAT IS PROVIDED WHEN SPECIFIED.
3. MULTIPLE CAPACITORS ARE CONNECTED IN PARALLEL UNLESS OTHERWISE SPECIFIED.
4. LEAD COLORS ARE OPTIONAL. LEADS MUST ALWAYS BE NUMBERED AS SHOWN.

CD0001

REV. DESC: REVISE TO SHOW OPTIONAL COLORS			
REV. LTR: D	BY: JLP	REVISED: 04/08/99 1:16	TDR: 0178636
100000		FILE: AAA00007405	MDL: -
		MTL: -	

BALDOR ELECTRIC Co.

TYPE L, DV, REV, 6 LEADS