

BALDOR® • ***RELIANCE***

Product Information Packet

CM3542

.75HP,1725RPM,3PH,60HZ,56C,3420M,TEFC,F1

Part Detail							
Revision:	Q	Status:	PRD/A	Change #:		Proprietary:	No
Type:	AC	Prod. Type:	3420M	Elec. Spec:	34WG0883	CD Diagram:	
Enclosure:	TEFC	Mfg Plant:		Mech. Spec:	34A062	Layout:	
Frame:	56C	Mounting:	F1	Poles:	04	Created Date:	
Base:	RG	Rotation:	R	Insulation:	B	Eff. Date:	03-24-2011
Leads:	9#18	Literature:		Elec. Diagram:		Replaced By:	

Nameplate NP1256L							
CAT.NO.	CM3542						
SPEC.	34A62-883						
HP	.75						
VOLTS	208-230/460						
AMP	3.2-3/1.5						
RPM	1725						
FRAME	56C	HZ	60	PH	3		
SER.F.	1.25	CODE	K	DES	B	CLASS	B
NEMA-NOM-EFF	75.5	PF	60				
RATING	40C AMB-CONT						
CC				USABLE AT 208V	3.6		
DE	6203	ODE	6203				
ENCL	TEFC	SN					
	SFA 3.6-3.4/1.7						

Parts List		
Part Number	Description	Quantity
SA009839	SA 34A62-883	1.000 EA
RA006284	RA 34A62-883	1.000 EA
NS2512A01	INSULATOR, CONDUIT BOX X	1.000 EA
34CB3002A	CB CAST W/.88 DIA HOLE	1.000 EA
34GS1029A01	GASKET, CONDUIT BOX	1.000 EA
51XB1016A07	10-16 X 7/16 HXWSSLD SERTYB	2.000 EA
11XW1032G06	10-32 X .38, TAPTITE II, HEX WSHR SLTD U	1.000 EA
34EP3102A01SP	FR ENDPLATE, MACH	1.000 EA
HW5100A03SP	WAVY WASHER (W1543-017)	1.000 EA
34EP3300A24SP	PU ENDPLATE, MACH	1.000 EA
51XN1032A20	10-32 X 1 1/4 HX WS SL SR	2.000 EA
34FN3002A01SP	EXTERNAL FAN, PLASTIC, .637/.639 HUB W/	1.000 EA
34FH4002A01SP	IEC FH NO GREASER	1.000 EA
51XW1032A06	10-32 X .38, TAPTITE II, HEX WSHR SLTD S	3.000 EA
34CB4517	CB LID 4 MTG HOLES .22 DIA STAMPED, FOR	1.000 EA
34GS1031A01	GASKET, FLAT CONDUIT BOX LID (LEXIDE)	1.000 EA
51XW0832A07	8-32 X .44, TAPTITE II, HEX WSHR SLTD SE	4.000 EA
HW2501D13SP	KEY, 3/16 SQ X 1.375	1.000 EA
HA7000A04	KEY RETAINER 0.625 DIA SHAFTS	1.000 EA
MG1000G27	PAINT- S9282E CHARCOAL GREY 55 GALLONS	0.014 GA
10XF0440S02	04-40 X 1/8 TYPE F HEX HD STAINLESS STIC	2.000 EA
HA3100A12	THRUBOLT 10-32 X 7.375	4.000 EA
LB1125C01	STD (STOCK) CARTON LABEL BALDOR WITH FLA	1.000 EA
LC0005E01	CONN.DIA./WARNING LABEL (LC0005/LB1119)	1.000 EA

Parts List (continued)		
Part Number	Description	Quantity
NP1256L	ALUM, UL CSA CC, W/O THERMAL, LASER	1.000 EA
34PA1002	PACKING GROUP, BALDOR	1.000 EA

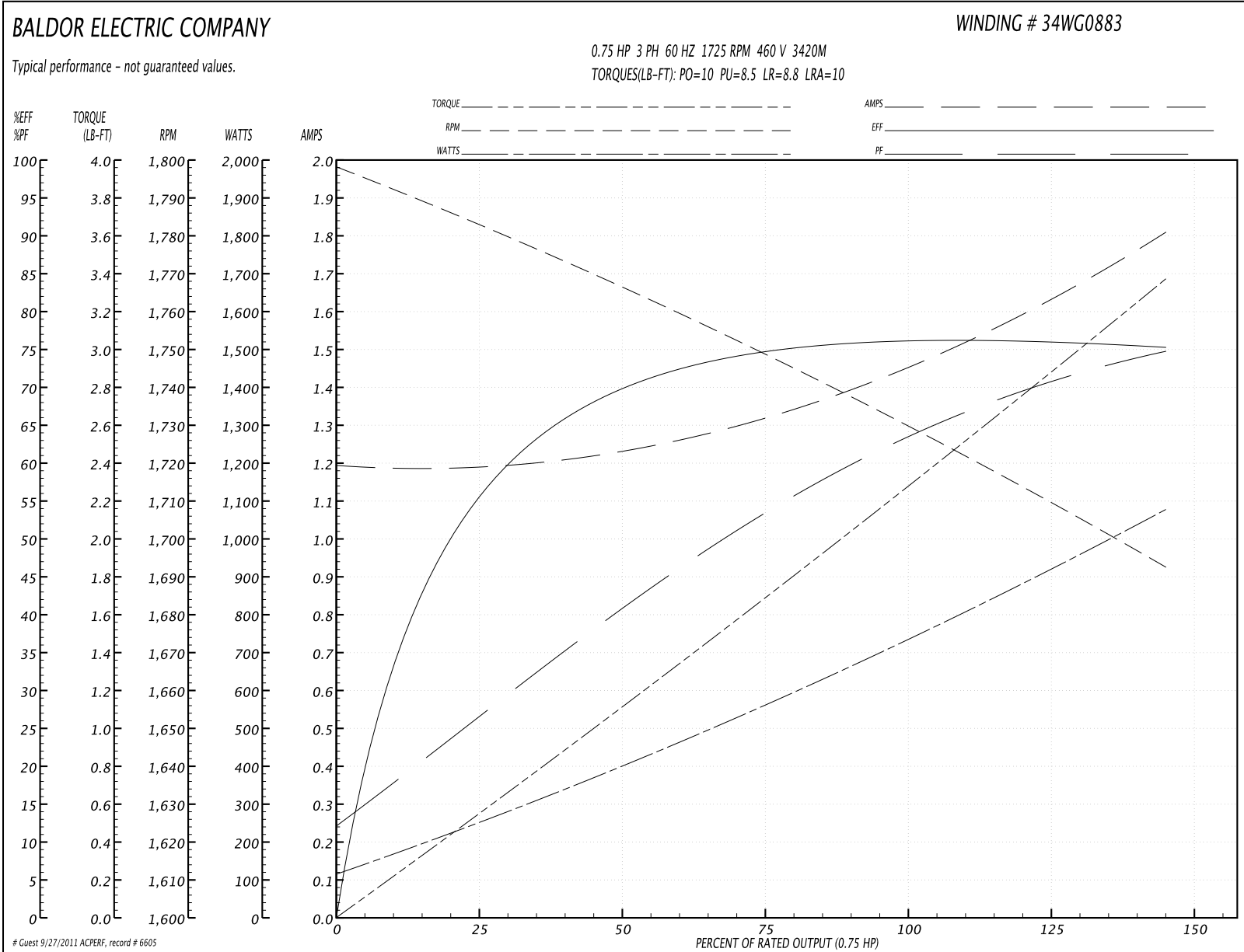
Performance Data at 460V, 60Hz, 0.75HP (Typical performance - Not guaranteed values)
General Characteristics

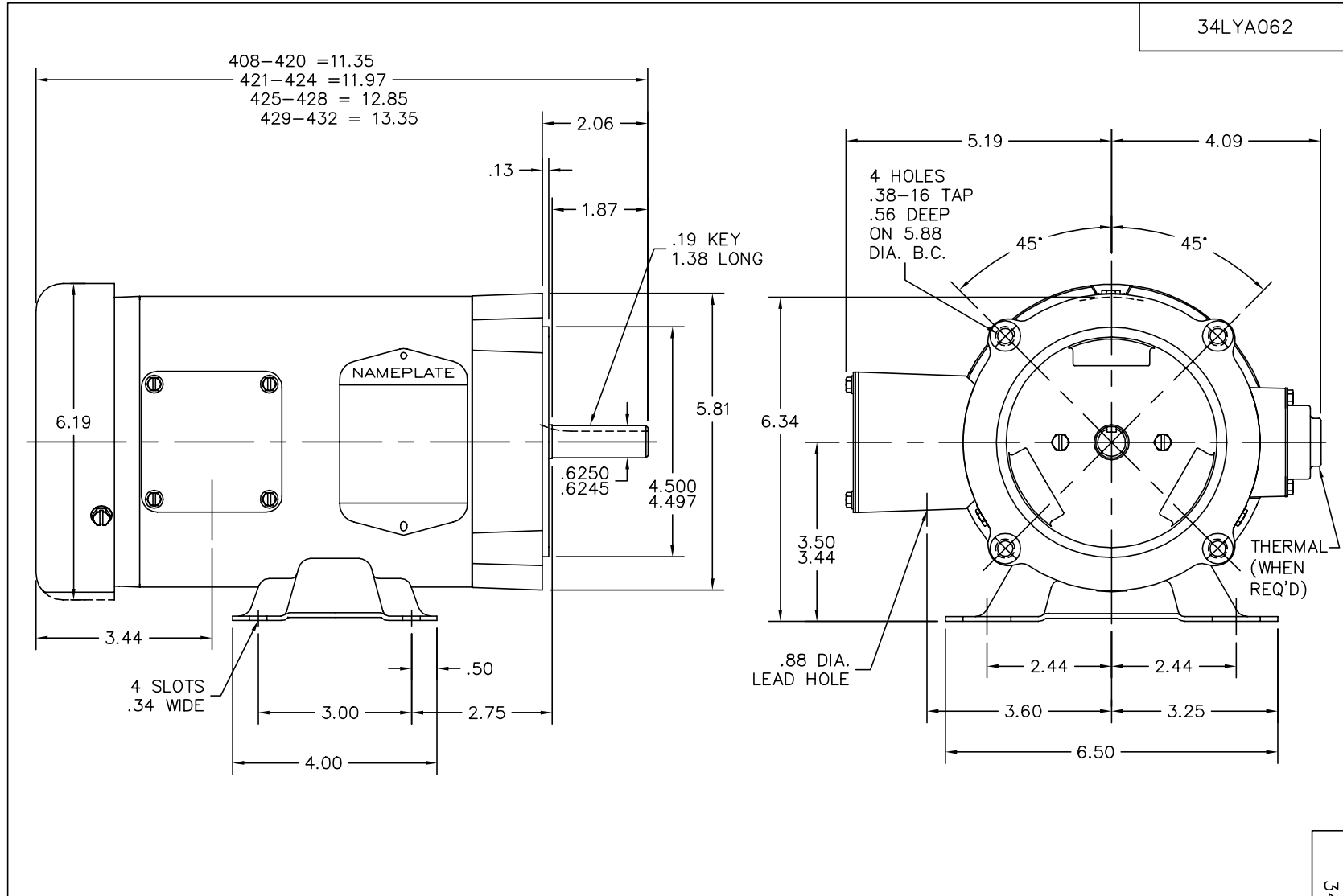
Full Load Torque:	2.25 LB-FT	Start Configuration:	DOL
No-Load Current:	1.2 Amps	Break-Down Torque:	10.0 LB-FT
Line-line Res. @ 25°C.:	17.68 Ohms A Ph / 0.0 Ohms B Ph	Pull-Up Torque:	8.5 LB-FT
Temp. Rise @ Rated Load:	74 C	Locked-Rotor Torque:	8.8 LB-FT
Temp. Rise @ S.F. Load:	91 C	Starting Current:	10.0 Amps

Load Characteristics

% of Rated Load	25	50	75	100	125	150	S.F.
Power Factor:	28.0	42.0	55.0	64.0	71.0	76.0	71.0
Efficiency:	56.1	69.7	74.7	76.2	76.1	75.2	76.1
Speed:	1783.0	1766.0	1749.0	1731.0	1711.0	1693.0	1711.0
Line Amperes:	1.2	1.2	1.3	1.5	1.6	1.8	1.6

Performance Graph at 460V, 60Hz, 0.75HP Typical performance - Not guaranteed values





CUSTOMER IS RESPONSIBLE FOR DETERMINING THAT MOTOR PERFORMANCE IS SUITABLE IN THE APPLICATION.

REV. DESC: UPDATED KBOX & LID		
REV. LTR: Q	VERSION: 02	TDR: 000000377176
34LYA062	FILE: \AAA\00000\725	REVISED: 08:00:53 09/28/2005
	MTL: -	BY: ENROSTO

BALDOR ELECTRIC Co.

STD HORZ 34M NEMA 56C TEFC

34LYA062

CD0005

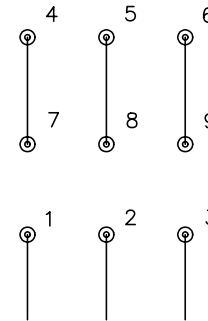


LOW VOLTAGE
(2Y)



LINE

HIGH VOLTAGE
(1Y)



LINE

NOTES:

1. INTERCHANGE ANY TWO LINE LEADS TO REVERSE ROTATION.
2. OPTIONAL THERMOSTATS ARE PROVIDED WHEN SPECIFIED.
3. ACTUAL NUMBER OF INTERNAL PARALLEL CIRCUITS MAY BE A MULTIPLE OF THOSE SHOWN ABOVE.
4. LEAD COLORS ARE OPTIONAL. LEADS MUST ALWAYS BE NUMBERED AS SHOWN.

REV. DESC: REVISE TO SHOW OPTIONAL COLORS

REV. LTR: E BY: JLP

REVISED: 01/19/99 10:15

TDR: 0171435

900000

FILE: AAA00005140

MDL: -

MTL: -

BALDOR ELECTRIC Co.

3PH, DV, 9 LEADS

CD0005