

# **BALDOR**® • ***RELIANCE***

## **Product Information Packet**

# **ECP3665T**

**5HP,1750RPM,3PH,60HZ,184T,0641M,TEFC,F1**

Part Detail							
Revision:	M	Status:	PRD/A	Change #:		Proprietary:	No
Type:	AC	Prod. Type:	0641M	Elec. Spec:	06WGX182	CD Diagram:	CD0005
Enclosure:	TEFC	Mfg Plant:		Mech. Spec:	06H483	Layout:	06LYH483
Frame:	184T	Mounting:	F1	Poles:	04	Created Date:	04-05-2012
Base:	RG	Rotation:	R	Insulation:	F	Eff. Date:	03-31-2015
Leads:	9#16					Replaced By:	
Literature:		Elec. Diagram:					

Nameplate NP3257E							
CAT.NO.	ECP3665T						
SPEC.	06H483X182G1						
HP	5	TE					
VOLTS	208-230/460						
AMP	14-13/6.5						
RPM	1750						
FRAME	184T	HZ	60	PH	3		
SER.F.	1.15	CODE	J	DES	B	CL	F
RATING	40C AMB-CONT						
SN							
DE	6206	ODE	6206				
NEMA-NOM-EFF	89.5	PF	79				
G.MIN.EFF	87.5	CC	010A				
T. CODE	T3C	T=	160				

<b>Nameplate NP3260E</b>			
SPEC.	06H483X182G1		
D.E. BRG.	30BC02XP30X		
O.D.E. BRG.	30BC02XP30X		
GREASE	POLYREX EM		
RPM MAX	2700	MAX. KVAR	1.7
BLANK			
INV.TYPE	PWM		
T=	160		
C HP FR	60	C HP TO	90
CT HZ FROM	1.7	CT HZ TO	60
VT HZ FROM	0-	VT HZ TO	60
HTR-VOLTS		HTR-AMPS	
HTR-WATTS		MAX. SPACE HEATER TEMP.	

**AC Induction Motor Performance Data**

Record # 47003 - Typical performance - not guaranteed values

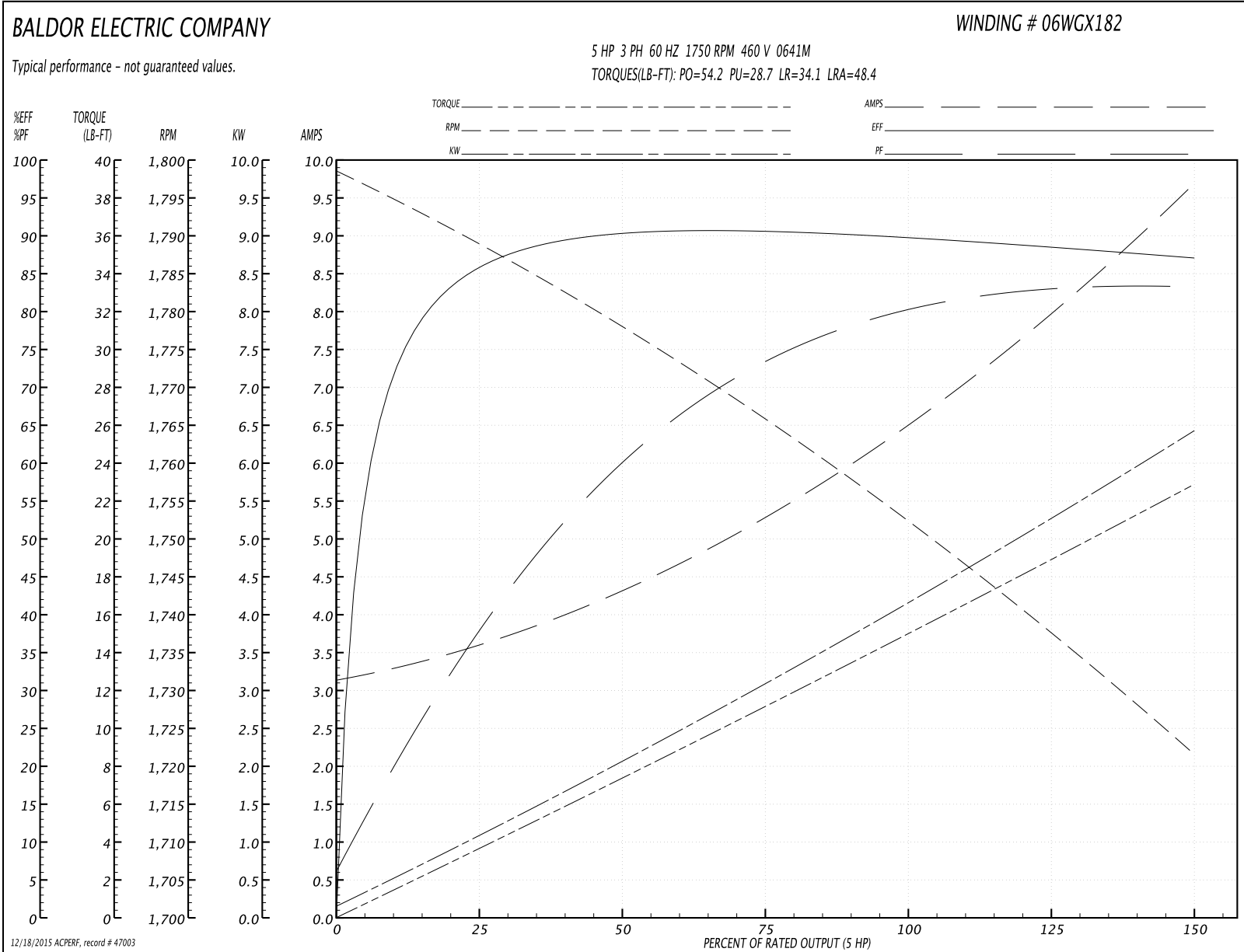
<b>Winding:</b> 06WGX182-R063	<b>Type:</b> 0641M	<b>Enclosure:</b> TEFC
-------------------------------	--------------------	------------------------

Nameplate Data				460 V, 60 Hz: High Voltage Connection	
Rated Output (HP)	5			Full Load Torque	15.1 LB-FT
Volts	208-230/460			Start Configuration	direct on line
Full Load Amps	14-13.2/6.6			Breakdown Torque	54.2 LB-FT
R.P.M.	1750			Pull-up Torque	28.7 LB-FT
Hz	60	Phase	3	Locked-rotor Torque	34.1 LB-FT
NEMA Design Code	B	KVA Code	J	Starting Current	48.4 A
Service Factor (S.F.)	1.15			No-load Current	3.21 A
NEMA Nom. Eff.	89.5	Power Factor	79	Line-line Res. @ 25°C	2.4818 Ω
Rating - Duty	40C AMB-CONT			Temp. Rise @ Rated Load	54°C
S.F. Amps				Temp. Rise @ S.F. Load	67°C
				Rotor inertia	0.382 LB-FT <sup>2</sup>

Load Characteristics 460 V, 60 Hz, 5 HP

% of Rated Load	25	50	75	100	125	150	S.F.
Power Factor	40	62	73	79	83	84	81
Efficiency	85.7	90	90.5	89.9	88.7	87	89.2
Speed	1788.2	1777.2	1765	1752.2	1737.4	1721.1	1743
Line amperes	3.53	4.29	5.38	6.64	8.04	9.66	7.48

Performance Graph at 460V, 60Hz, 5.0HP Typical performance - Not guaranteed values



**AC Induction Motor Performance Data**

Record # 49253 - Typical performance - not guaranteed values

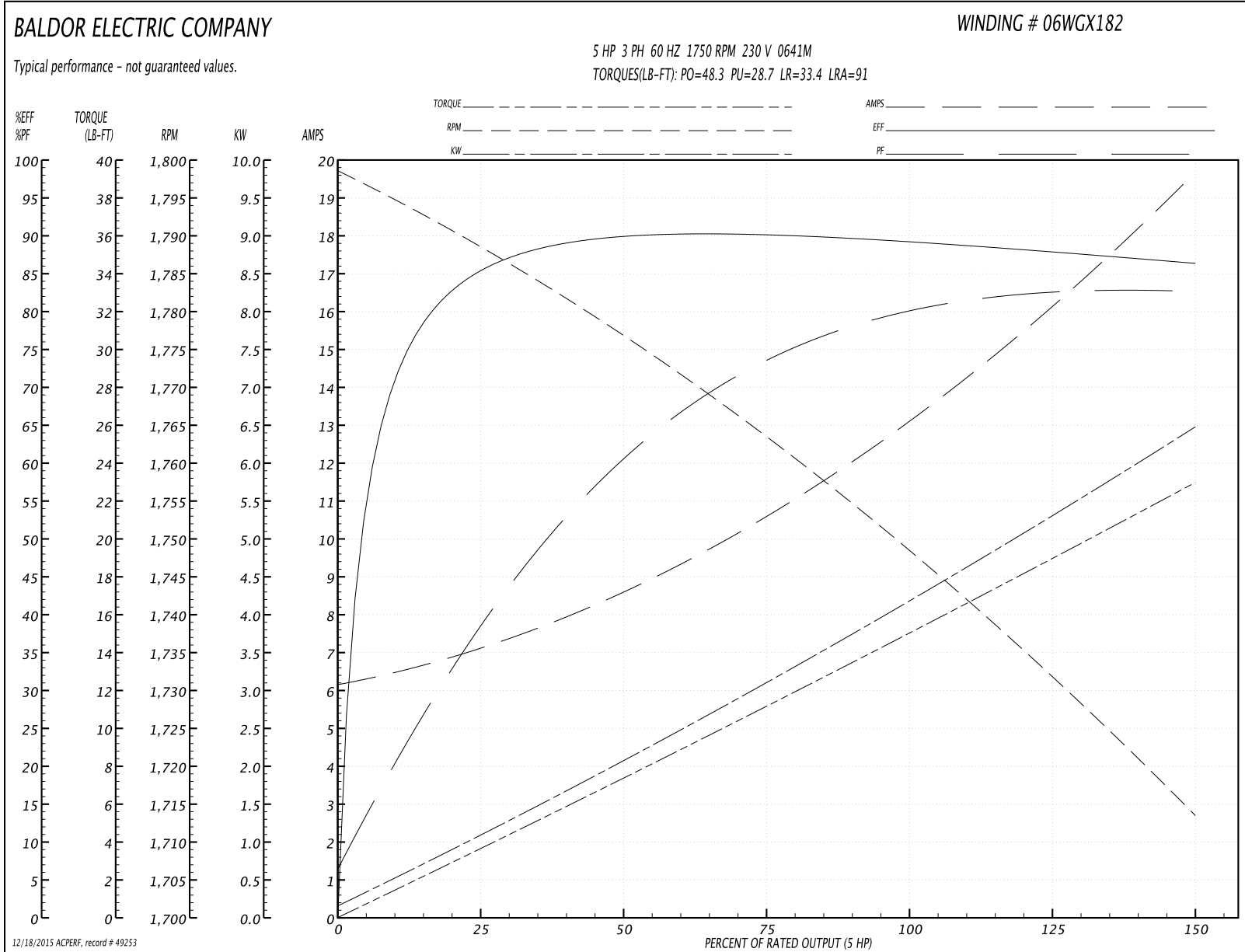
<b>Winding:</b> 06WGX182-R063	<b>Type:</b> 0641M	<b>Enclosure:</b> TEFC
-------------------------------	--------------------	------------------------

Nameplate Data				230 V, 60 Hz: Low Voltage Connection	
Rated Output (HP)	5			Full Load Torque	15.1 LB-FT
Volts	208-230/460			Start Configuration	direct on line
Full Load Amps	14-13/6.5			Breakdown Torque	48.3 LB-FT
R.P.M.	1750			Pull-up Torque	28.7 LB-FT
Hz	60	Phase	3	Locked-rotor Torque	33.4 LB-FT
NEMA Design Code	B	KVA Code	J	Starting Current	91 A
Service Factor (S.F.)	1.15			No-load Current	6.3 A
NEMA Nom. Eff.	89.5	Power Factor	79	Line-line Res. @ 25°C	0.616 Ω
Rating - Duty	40C AMB-CONT			Temp. Rise @ Rated Load	52°C
S.F. Amps				Temp. Rise @ S.F. Load	63°C
				Rotor inertia	0.382 LB-FT <sup>2</sup>

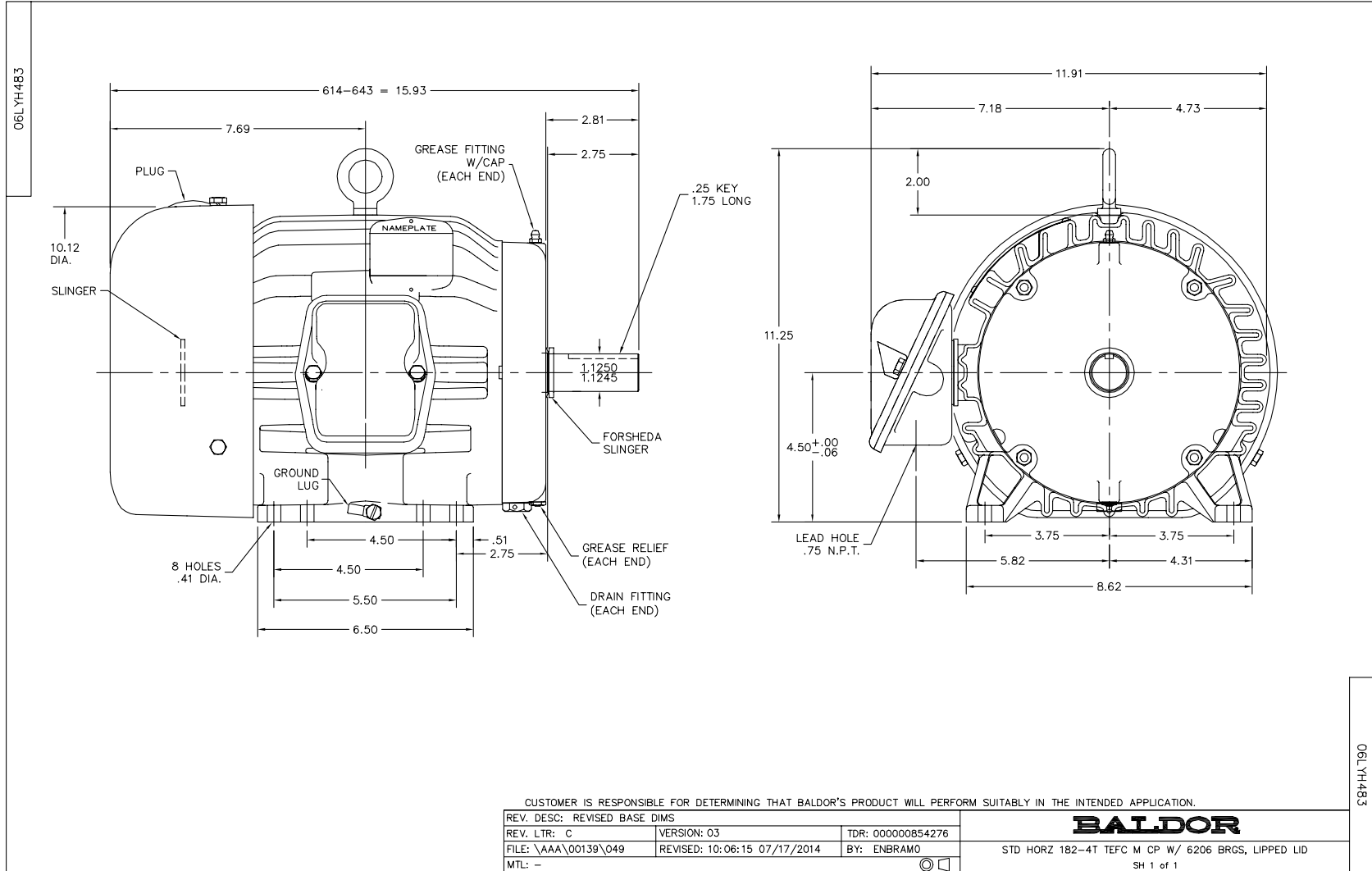
Load Characteristics 230 V, 60 Hz, 5 HP

% of Rated Load	25	50	75	100	125	150	S.F.
Power Factor	41	62	73	79	82	83	81
Efficiency	84.7	89.6	89.6	89.8	88.2	86.1	88.8
Speed	1788	1776	1763	1749	1732	1713	1739
Line amperes	6.96	8.52	10.7	13.3	16.2	19.6	15

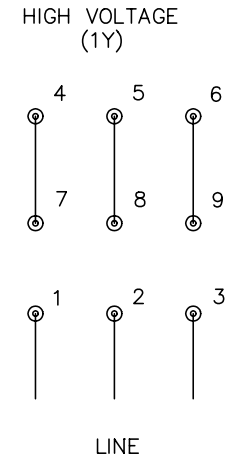
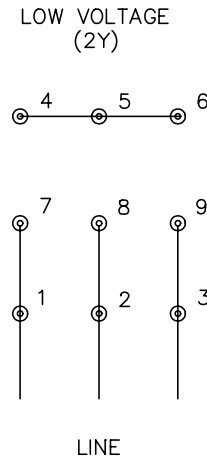
Performance Graph at 230V, 60Hz, 5.0HP Typical performance - Not guaranteed values







CD0005



- NOTES:
1. INTERCHANGE ANY TWO LINE LEADS TO REVERSE ROTATION.
  2. OPTIONAL THERMOSTATS ARE PROVIDED WHEN SPECIFIED.
  3. ACTUAL NUMBER OF INTERNAL PARALLEL CIRCUITS MAY BE A MULTIPLE OF THOSE SHOWN ABOVE.
  4. LEAD COLORS ARE OPTIONAL. LEADS MUST ALWAYS BE NUMBERED AS SHOWN.

REV. DESC: REVISE TO SHOW OPTIONAL COLORS			
REV. LTR: E	BY: JLP	REVISED: 01/19/99 10:15	TDR: 0171435
9000D		FILE: AAA00005140	MDL: -
		MTL: -	

**BALDOR ELECTRIC Co.**

3PH, DV, 9 LEADS

CD0005