

BALDOR® • *RELIANCE*

Product Information Packet

VEM3554

1.5HP, 1760RPM, 3PH, 60HZ, 56C, 3526M, TEFC, F1

| Part Detail | | | | | | | |
|-------------|------|----------------|-------|-------------|----------|---------------|------------|
| Revision: | H | Status: | PRD/A | Change #: | | Proprietary: | No |
| Type: | AC | Prod. Type: | 3526M | Elec. Spec: | 35WGM493 | CD Diagram: | CD0005 |
| Enclosure: | TEFC | Mfg Plant: | | Mech. Spec: | 35J302 | Layout: | 35LYJ302 |
| Frame: | 56C | Mounting: | F1 | Poles: | 04 | Created Date: | 09-23-2010 |
| Base: | N | Rotation: | R | Insulation: | F | Eff. Date: | 08-08-2014 |
| Leads: | 9#18 | | | | | Replaced By: | |
| Literature: | | Elec. Diagram: | | | | | |

| Nameplate NP1259L | | | | | | | |
|-------------------|--------------|----------------|------|-----|---|----|---|
| CAT.NO. | VEM3554 | | | | | | |
| SPEC. | 35J302M493G1 | | | | | | |
| HP | 1.5 | | | | | | |
| VOLTS | 208-230/460 | | | | | | |
| AMP | 4.5-4.4/2.2 | | | | | | |
| RPM | 1760 | | | | | | |
| FRAME | 56C | HZ | 60 | PH | 3 | | |
| SER.F. | 1.15 | CODE | L | DES | B | CL | F |
| NEMA-NOM-EFF | 86.5 | PF | 73 | | | | |
| RATING | 40C AMB-CONT | | | | | | |
| CC | | USABLE AT 208V | 4.5 | | | | |
| DE | 6205 | ODE | 6203 | | | | |
| ENCL | TEFC | SN | | | | | |
| | | | | | | | |

AC Induction Motor Performance Data

Record # 32424 - Typical performance - not guaranteed values

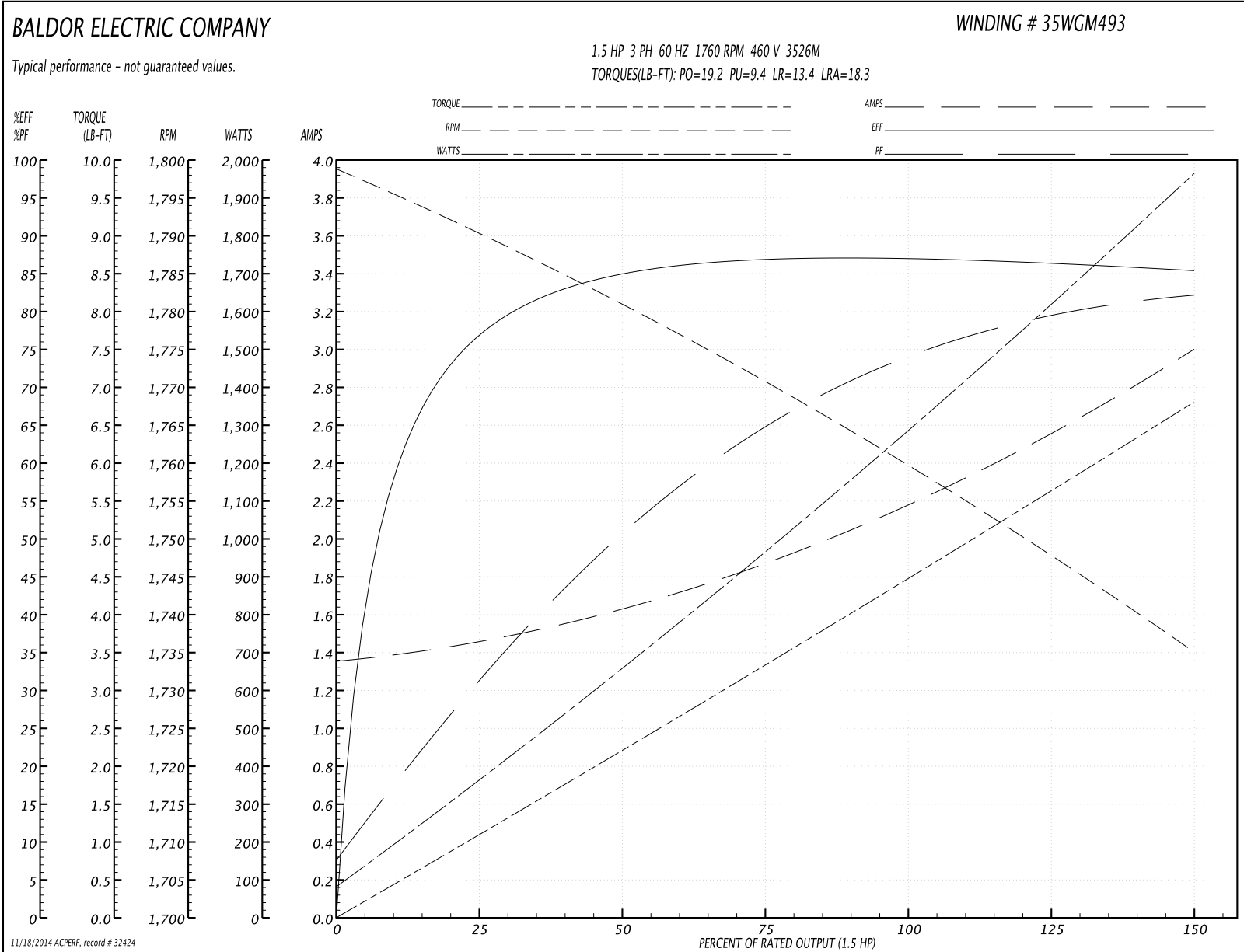
| | | |
|-------------------------------|--------------------|------------------------|
| Winding: 35WGM493-R001 | Type: 3526M | Enclosure: TEFC |
|-------------------------------|--------------------|------------------------|

| Nameplate Data | | | | 460 V, 60 Hz: High Voltage Connection | |
|-----------------------|--------------|--------------|----|--|-----------------------|
| Rated Output (HP) | 1.5 | | | Full Load Torque | 4.47 LB-FT |
| Volts | 208-230/460 | | | Start Configuration | direct on line |
| Full Load Amps | 4.5-4.4/2.2 | | | Breakdown Torque | 19.2 LB-FT |
| R.P.M. | 1760 | | | Pull-up Torque | 9.4 LB-FT |
| Hz | 60 | Phase | 3 | Locked-rotor Torque | 13.4 LB-FT |
| NEMA Design Code | B | KVA Code | L | Starting Current | 18.3 A |
| Service Factor (S.F.) | 1.15 | | | No-load Current | 1.37 A |
| NEMA Nom. Eff. | 86.5 | Power Factor | 73 | Line-line Res. @ 25°C | 10.66 Ω |
| Rating - Duty | 40C AMB-CONT | | | Temp. Rise @ Rated Load | 44°C |
| S.F. Amps | | | | Temp. Rise @ S.F. Load | 53°C |
| | | | | Rotor inertia | 0.154 LF ² |

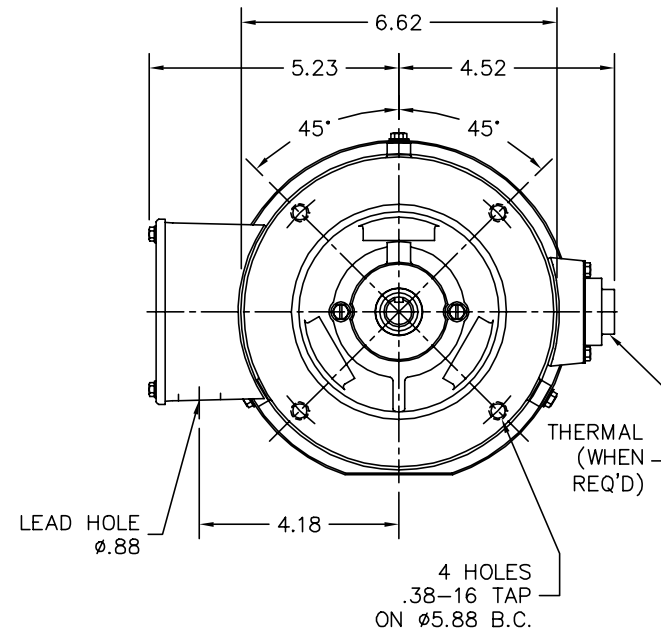
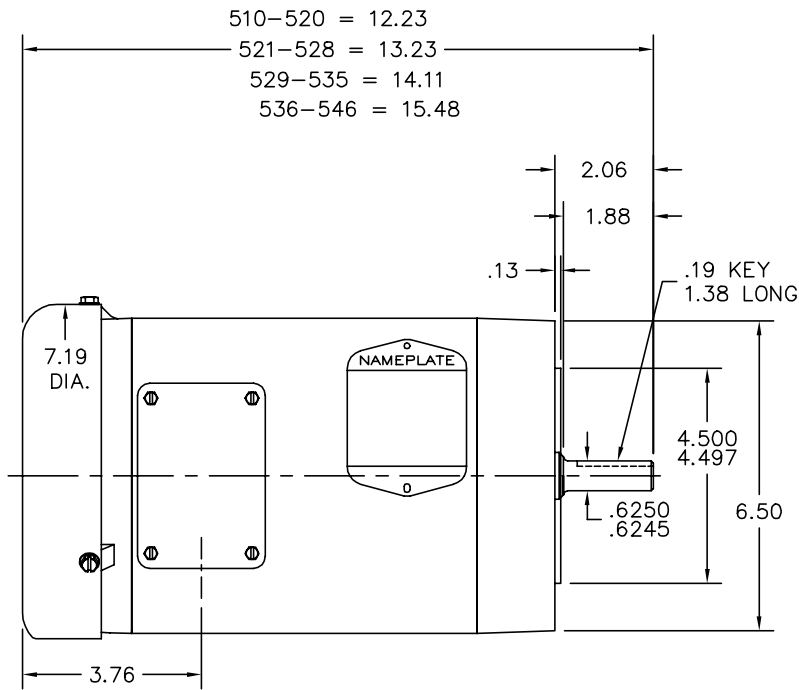
Load Characteristics 460 V, 60 Hz, 1.5 HP

| % of Rated Load | 25 | 50 | 75 | 100 | 125 | 150 | S.F. |
|-----------------|--------|--------|--------|--------|--------|--------|------|
| Power Factor | 31 | 51 | 65 | 73 | 79 | 83 | 77 |
| Efficiency | 75.9 | 84.5 | 86.8 | 87.1 | 86.4 | 85.4 | 86.7 |
| Speed | 1790.6 | 1781.1 | 1770.7 | 1760.1 | 1748.1 | 1734.9 | 1753 |
| Line amperes | 1.44 | 1.61 | 1.86 | 2.19 | 2.58 | 2.98 | 2.42 |

Performance Graph at 460V, 60Hz, 1.5HP Typical performance - Not guaranteed values



35LYJ302



CUSTOMER IS RESPONSIBLE FOR DETERMINING THAT BALDOR'S PRODUCT WILL PERFORM SUITABLY IN THE INTENDED APPLICATION.

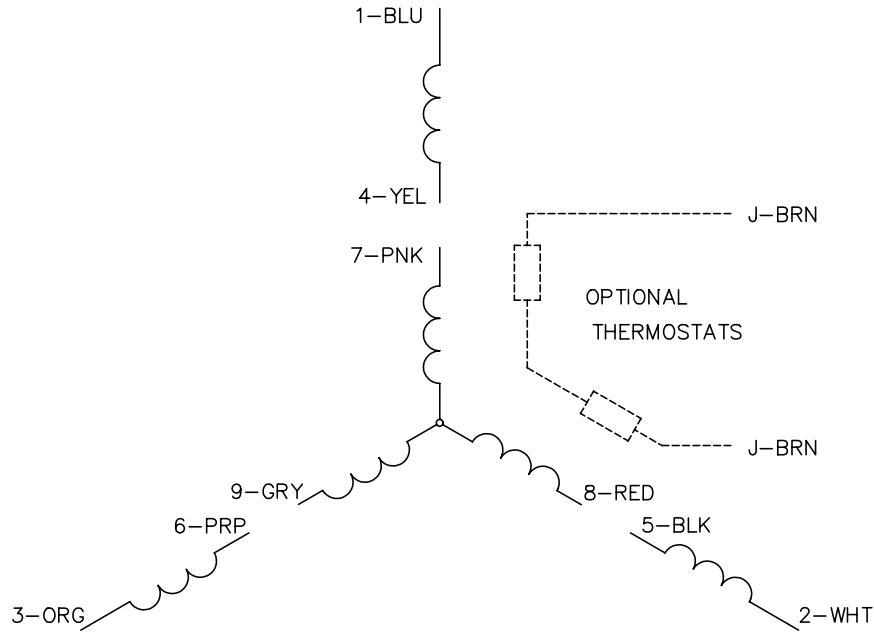
| | | |
|------------------------------|-------------|------------------------------|
| REV. DESC: UPDATE DRWG PARTS | | |
| REV. LTR: C | VERSION: 02 | TDR: 000000738205 |
| FILE: \AAA\00041\631 | | REVISED: 02:09:50 03/15/2012 |
| MTL: - | | BY: ENBENBO |

BALDOR

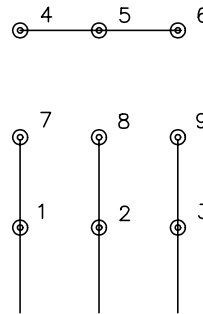
VERT 56C TEFC 35M SUPER-E
 SH 1 of 1

35LYJ302

CD0005

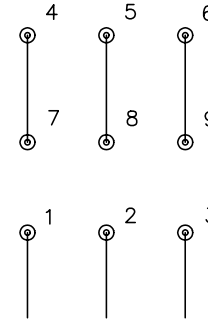


LOW VOLTAGE
(2Y)



LINE

HIGH VOLTAGE
(1Y)



LINE

NOTES:

1. INTERCHANGE ANY TWO LINE LEADS TO REVERSE ROTATION.
2. OPTIONAL THERMOSTATS ARE PROVIDED WHEN SPECIFIED.
3. ACTUAL NUMBER OF INTERNAL PARALLEL CIRCUITS MAY BE A MULTIPLE OF THOSE SHOWN ABOVE.
4. LEAD COLORS ARE OPTIONAL. LEADS MUST ALWAYS BE NUMBERED AS SHOWN.

| | | | |
|---|---------|-------------------------|--------------|
| REV. DESC: REVISE TO SHOW OPTIONAL COLORS | | | |
| REV. LTR: E | BY: JLP | REVISED: 01/19/99 10:15 | TDR: 0171435 |
| 90000 | | FILE: AAA00005140 | MDL: - |
| | | MTL: - | |

BALDOR ELECTRIC Co.

3PH, DV, 9 LEADS

CD0005