



► Model 371DST

# Commander® Double Strobe Warning Light



Model 371DST is a double-flash strobe housed in a Type 4X enclosure. At 80 flashes per minute and 1,000 effective candela, the Commander® is the largest strobe signal in the Federal Signal product line.

The dome and ring assembly simply screws on, allowing for quick access to the strobe tube and printed circuit board. The base of the Commander features electrostatically applied, black epoxy paint for greater corrosion resistance. The 371DST can be surface or 1" NPT pipe mounted. It is wired through the pipe mount opening on the bottom of the light or through side knockouts. Optional wall and corner mount brackets are available.

The LWMB2 wall mount bracket and the LCMB2 corner mount bracket can be used for all non-hazardous environments.

## FEATURES

- Available in 12-24VDC, 120VAC and 240VAC
- Five dome colors: Amber, Blue, Clear, Green and Red
- Surface mount and integrated 1-inch NPT pipe mount
- Type 4X, IP66 enclosure
- UL and cUL Listed for Class I, Division 2, Groups A, B, C, D; Class II, Division 2, Groups F, G and Class III
- CSA Certified

MODEL	VOLTAGE	OPERATING CURRENT	FLASH RATE/ MINUTE	CANDELA PEAK <sup>1</sup>	ECP <sup>2</sup>	MOUNT
<b>371DST-012-024 *</b>	12-24VDC	3.00-1.90 amps	80 <sup>3</sup>	750,000	1,000	1" NPT Pipe or Surface
<b>371DST-120 *</b>	120VAC 50/60Hz	0.60 amps	80 <sup>3</sup>	750,000	1,000	1" NPT Pipe or Surface
<b>371DST-240 *</b>	240VAC 50/60Hz	0.30 amps	80 <sup>3</sup>	750,000	1,000	1" NPT Pipe or Surface

\* Indicates color: (A) Amber, (B) Blue, (C) Clear, (G) Green, or (R) Red

<sup>1</sup> Peak candela is the maximum light intensity generated by a flashing light during its light pulse

<sup>2</sup> ECP (Effective Candela) is the intensity that would appear to an observer if the light were burning steadily

<sup>3</sup> Double flash

### HAZARDOUS LOCATION RATING: 371DST

T-CODE AT MAXIMUM AMBIENT TEMPERATURE, °C

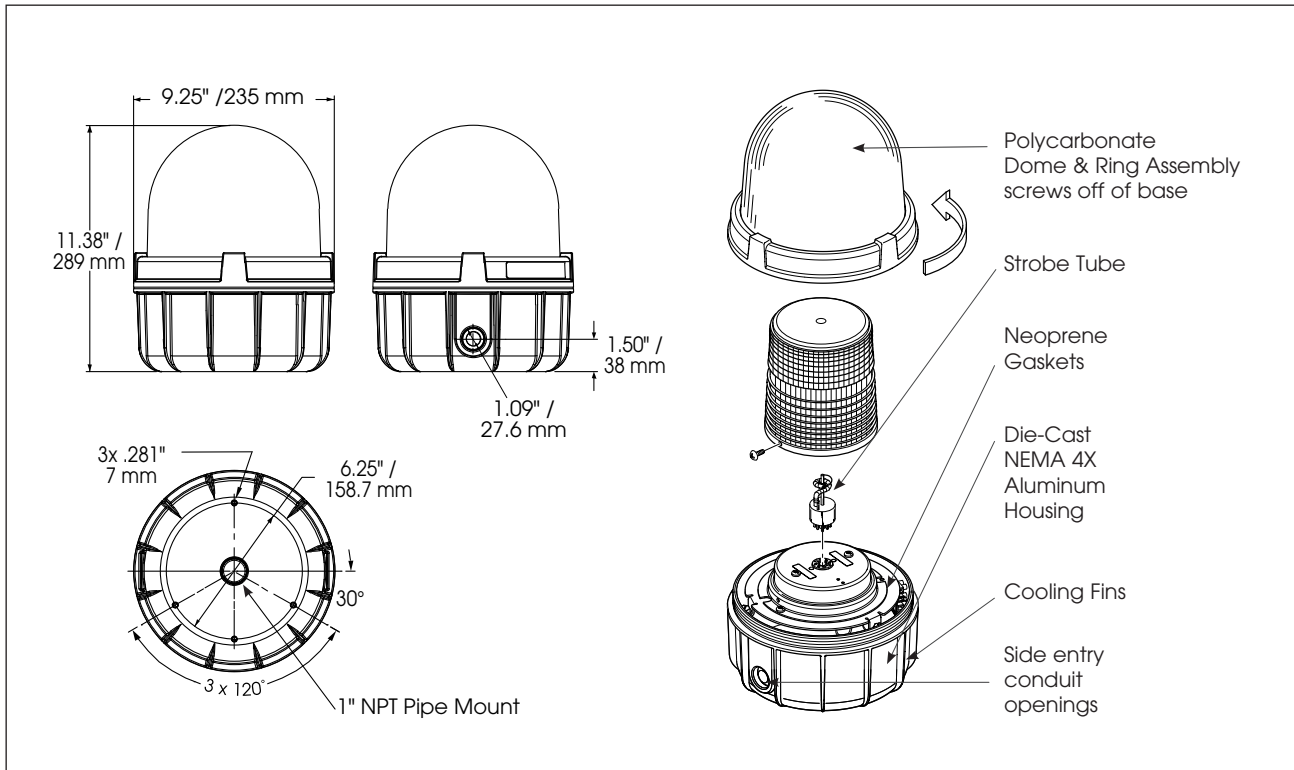
**Hazardous Location** **40°C**

Class I, Division 2, Groups A, B, C, D T2

Class II, Division 2, Groups F, G T6

Class III T6

# Commander® Strobe Light (371DST)



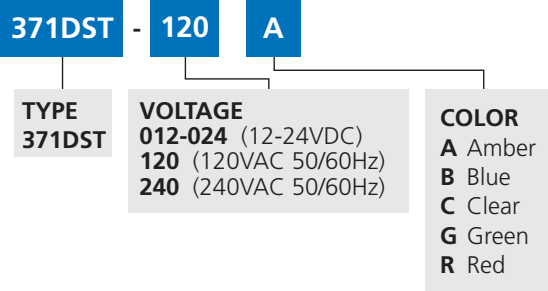
## SPECIFICATIONS

Lamp Life:		10,000 Hours
Light Source:		Strobe Tube
Operating Temperature:	-31°F to 104°F	-35°C to 40°C
Net Weight:	6.23 lbs	2.83 kg
Ship. Weight:	8.3 lbs	3.76 kg
Height:	11.38"	288.9 mm
Diameter:	9.25"	235 mm

## REPLACEMENT PARTS

Description	Part Number
<b>Series B Dome and Ring Assembly</b>	
Amber Polycarbonate	K8459125A
Blue Polycarbonate	K8459125A-01
Clear Polycarbonate	K8459125A-02
Green Polycarbonate	K8459125A-03
Red Polycarbonate	K8459125A-04
Clear, Inner Polycarbonate, Lens	K8422B428A
PCB Assembly 12-24VDC	K2001265D-01
PCB Assembly 120VAC	K200865G-02
Strobe Tube	K8107178A
Gasket, Surface Mount	K8459127A

## HOW TO ORDER



## OPTIONAL ACCESSORIES

Description	Part Number
Solid Surface Mounting Bracket	371BRCKT
Shock Mount Kit	K8459A076C
3/4" Hub Kit	K8459138A
1" Plug Kit	K8459130A
Hazardous Location Mounting Bracket	LHWB*

\* Mounting Brackets shown on pages 130-131