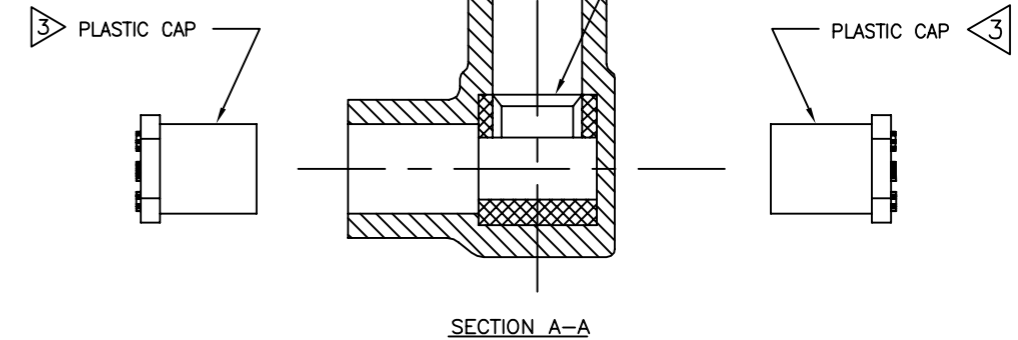
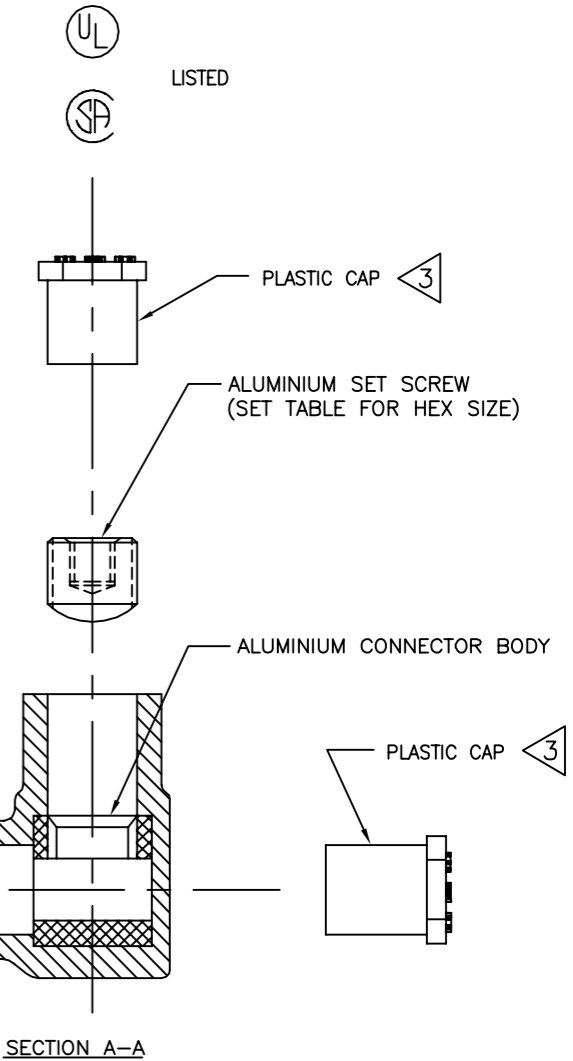
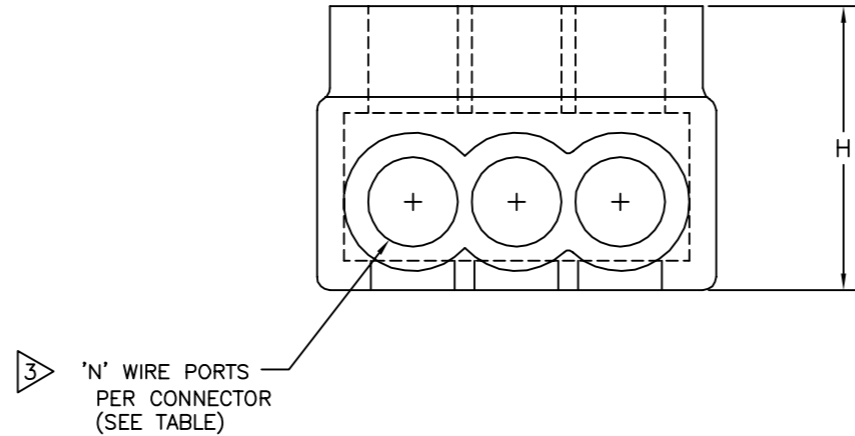
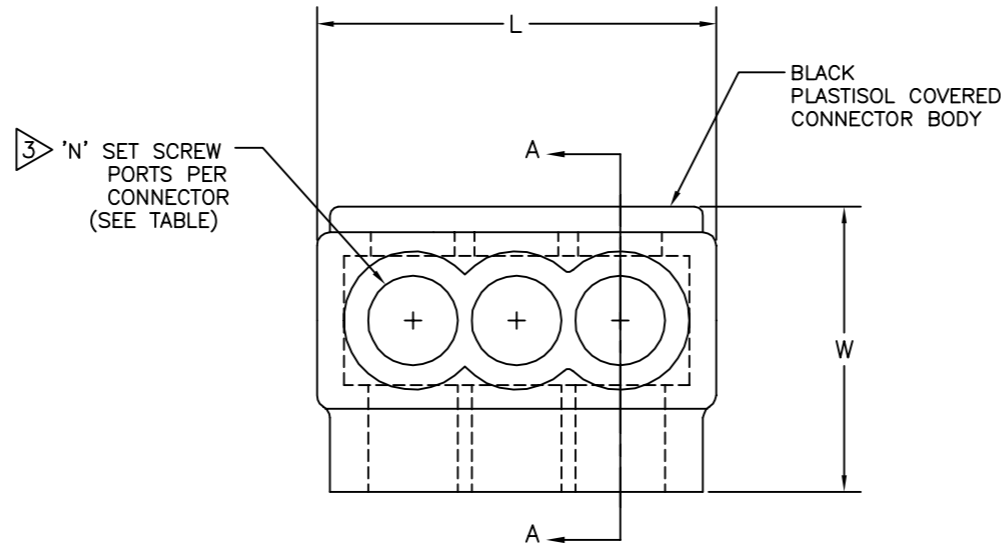


DRAWING NO. SD214514						
CATALOG NO.	WIRE RANGE (AWG/kcmil)	L	W	H	HEX KEY	N
1PL4-3	#14-#4	1.51 [38]	1.25 [32]	1.25 [32]	1/8	3
1PL4-4	#14-#4	1.95 [50]	1.25 [32]	1.25 [32]	1/8	4
1PL4-5	#14-#4	2.39 [61]	1.25 [32]	1.25 [32]	1/8	5
1PL4-6	#14-#4	2.83 [72]	1.25 [32]	1.25 [32]	1/8	6
1PL4-8	#14-#4	3.71 [94]	1.25 [32]	1.25 [32]	1/8	8

REV.	DATE	DESCRIPTION	ECO	BY	C'K'D.
C	12/14/12	TORQUE VALUE INCLUDED.	29771	PB	MA



FEATURES	BENEFITS
PLASTISOL COVERED AL6061-T6 BODY	SAVES TIME, LOWERS INSTALLATION COSTS, ELIMINATES TAPING.
OXIDE-INHIBITOR IS PRE-INSTALLED	INHIBITS MOISTURE AND CONTAMINANTS FROM ENTERING THE CONTACT AREA
RANGE-TAKING	REDUCES THE NUMBER OF CONNECTORS CARRIED IN INVENTORY

NOTES:

- THIS DRAWING TO BE INTERPRETED PER ANSI Y14.5M.
- CONNECTORS ARE SUPPLIED INDIVIDUALLY LABELED. LABEL INFORMATION INCLUDES CATALOG NUMBER, AND BARCODE.
- END CAPS INSTALLED ON WIRE PORTS AND SET SCREW PORTS.
- ALL CONNECTORS UL LISTED, CSA CERTIFIED FOR AL9CU, 90°C APPLICATIONS, UNLESS OTHERWISE NOTED.
- DIMENSIONS IN BRACKETS [] ARE IN MILLIMETERS ROUNDED OFF TO THE NEAREST MILLIMETER, UNLESS OTHERWISE NOTED, AND ARE FOR REFERENCE ONLY.
- UV RATED INSULATION MATERIAL.
- TORQUE SET SCREWS TO 45 IN/LB.

TO ORDER BURNDY® PRODUCTS CALL		UV BLACK DISTRIBUTION CONNECTORS	
UNITED STATES: 1-800-346-4175 (LONDONDERRY, NH)		ITEM NO: N/A	
CANADA: 1-800-361-6975 (QUEBEC) 1-800-387-6487 (ALL OTHER PROVINCES)		CAT NO: 1PL4--SERIES (TABLE)	
FOR PRODUCT INFO: http://www.burndy.com		SCALE: N/A	
		DRAWN BY: D RAJKUMAR 4/24/02	
		CHECKER: K HENRY 5/23/02	
		DSN APPVL: G DITROIA 3/6/02	
		MFG APPVL: T BONINA 2/27/02	
		QC APPVL: J BRODEUR 3/5/02	
		MKT APPVL: A ZWIT 2/27/02	
		DRAWING NO	
		SD214514	
		REV	
		C	
		SHEET 8 OF 13	

