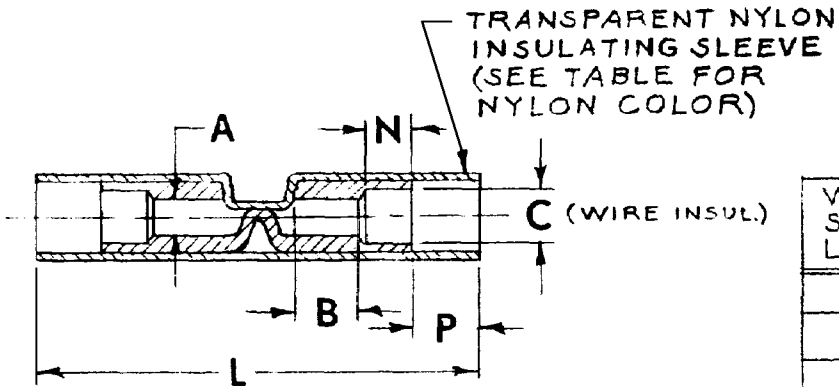


| REV. | DATE | REVISION DESCRIPTION | BY | C'K'D. |
|------|---------|---|------|--------|
| 1 | 2-22-66 | SIZE 22-16 REMOVED TYPE II III ADDED TO 22-18, 22-18 WAS 22-16 (EC 33019) | FGM | FGM |
| 2 | 4-16-74 | WIRE STRIP LENGTH ADDED (DC 8226) | L.H. | SFP |
| 3 | 3-2-84 | REV. REF PRINT GCP3589 | AJM | ML |

SA58461



| WIRE STRIP LENGTH | INSULINK CAT. NO | A DIA. MIN. | B MIN. | C DIA. MAX. | OD. MAX. | N MIN. | P MIN. | L MAX. | REF. DWG. |
|-------------------|------------------|-------------|--------|-------------|----------|--------|--------|--------|-----------|
| 15/64 | YSE18-HN | .061 | .163 | .125 | .201 | .123 | .172 | 1.250 | FC53086 |
| 7/32 | YSE14-HN | .088 | .163 | .150 | .234 | .125 | .167 | 1.250 | FC53327 |
| 3/8 | YSE10-HN | .140 | .285 | .220 | .294 | .180 | .187 | 1.640 | FC53307 |

ACCOMMODATES

| STRANDED WIRE | | INSULINK CAT. NO | NYLON COLOR |
|---------------|--------------------------------|------------------|-------------|
| SIZE | SPEC. | | |
| #22-#18 | MIL-W-5086 TYPE I, II, III | YSE18-HN | RED |
| #22-#18 | MIL-W-16878 TYPE B, C, E, & EE | | |
| #22-#18 | MIL-W-16878 TYPE D | | |
| #16-#14 | MIL-W-5086 TYPE I, II & III | YSE14-HN | BLUE |
| #16 | MIL-W-16878 TYPE B, | | |
| #16-#14 | MIL-W-16878 TYPE C, D, E, & EE | | |
| #12 | MIL-W-5086 TYPE I | YSE10-HN | YELLOW |
| #12-#10 | MIL-W-5086 TYPE II & III | | |
| #12-#10 | MIL-W-16878 TYPE D, E, & EE | | |

NOTE

THESE SPLICES MEET REQUIREMENTS OF NAS 1388

MATERIAL:

HYLINK - COPPER

FINISH:

HYLINK - TIN PLATED

SUPERSEDES SC53094, SC47620-2, SC53325 & SC53324

FSCM 09922

| INSULINK | |
|--------------------------|--------------------------|
| CAT. NO. YSE--HN (TABLE) | SCALE |
| DRAWN R.H. 4-5-65 | CHECKED SFP 4-12-65 |
| | DES. APPROV. YDA 9-21-65 |
| | PROD. APPROV. |
| DRAWING NO. | REV. |
| SA58461 | 3 |