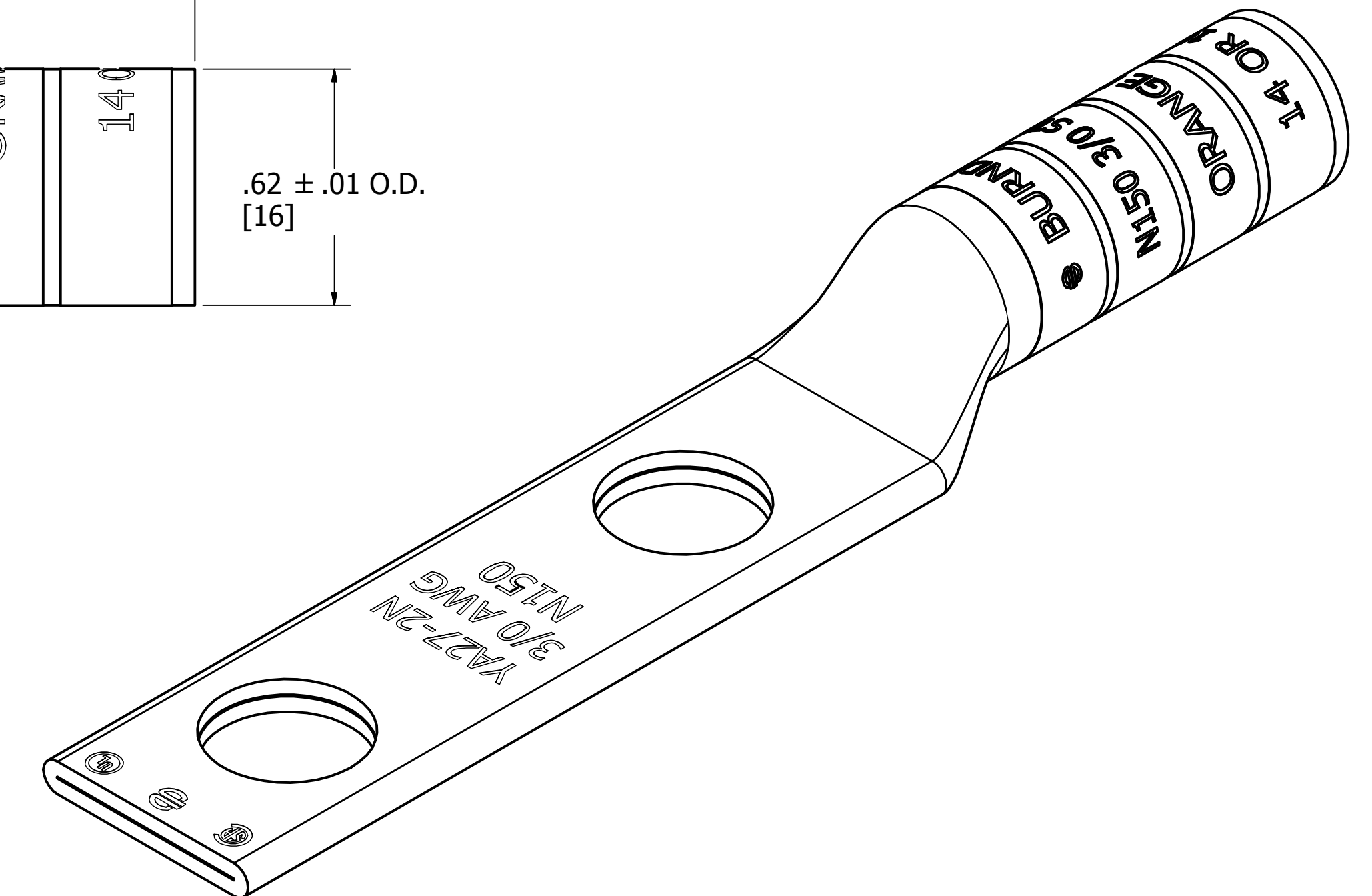
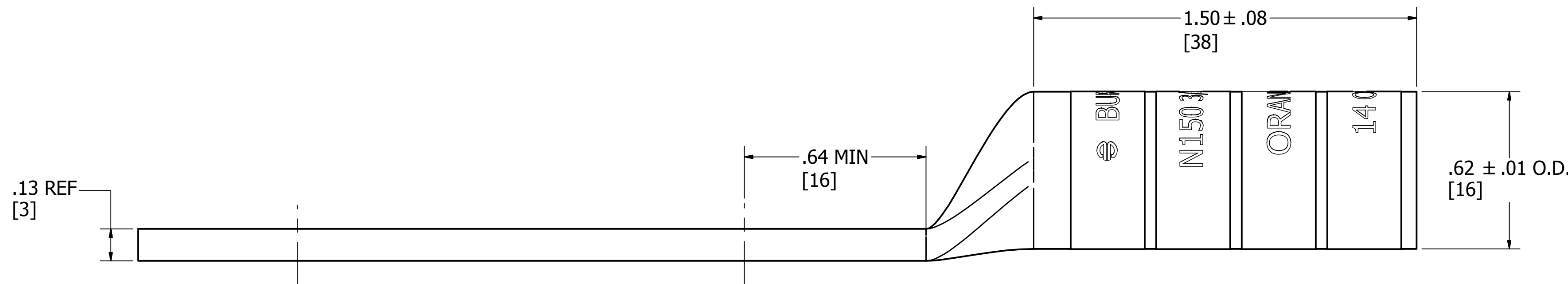
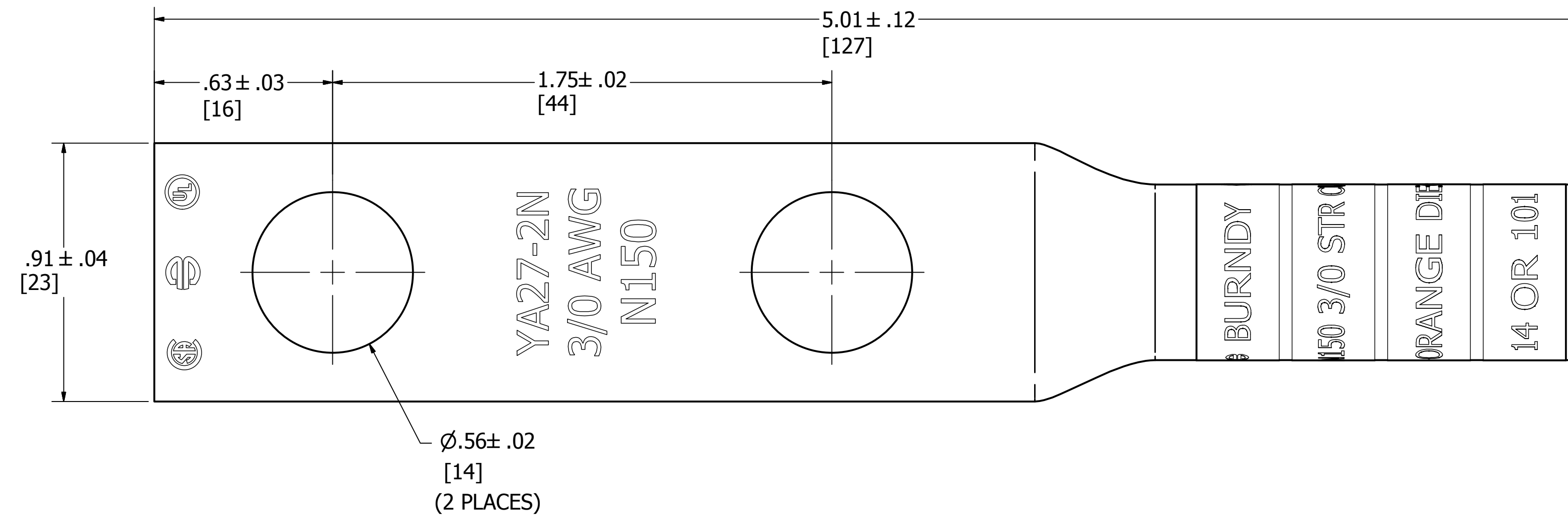


STRANDED COPPER CONDUCTOR ACCOMMODATED			BOLT SIZE	METRIC BOLT SIZE	COLOR CODE	DIE INFORMATION		MECHANICAL RATCHET						HYDRAULIC						DIELESS (# CRIMPS)	WIRE STRIP LENGTH	REV	DATE	DESCRIPTION	ECO	BY	CHK
CODE (AWG)	NAVY	METRIC SIZE (CLASS 2)				DIE INDEX	TYPE	Y1MRTC	OUR840	MD6 MD7	MD6-R2, MD7-34R	PATMD6 PAT600	Y34A Y34B Y34BH	Y35, Y39 Y750, BAT35 PAT750	Y46 PAT46	Y45	Y48B	Y60BHU	A			9/12/2012	NEW SALES DRAWING CREATED	28954	HM	MA	
3/0 AWG	150	----	1/2	M12	ORANGE	14	ORANGE DIE SET	----	X27RT (6)	W27RT (4) W27VT (4)	W27RT (4) W27VT (4)	W27RT (4) W27VT (4)	----	U27RT (2)	U27RT (2)	U27RT (2)	----	----	MECHANICAL: MY29-3 (2), MY29 - 11(2) MRC - 840 (4)								
							NEST	----	----	----	----	----	B27D (1) A27D (1) Y34PR	U27D-1 (1) Y34PR	U27D-1 (1) Y34PR	U27D-1 (1) Y34PR			HYDRAULIC: Y644 (1) PAT644 (1) Y81KFT - SERIES (2) Y4PC834 - SERIES (2)								
							INDENTOR	----	----	----	----	----															



NOTES:

- MATERIAL: COPPER TUBING
- FINISH: TIN PLATED.
- CATALOG # PT6515 ADAPTOR IS REQUIRED TO USE "U" DIES IN Y45 SERIES TOOLS.
- CATALOG # PUADP-1 ADAPTOR IS REQUIRED TO USE "U" DIES IN Y46 SERIES TOOLS.
- Y35P3 INDENTOR ADAPTOR REQUIRED FOR Y34PR INDENTOR.
- PERMANENT DIE IN TOOLING.
- DIMENSIONS IN BRACKETS [ ] ARE IN MILLIMETERS ROUNDED OFF TO THE NEAREST MILLIMETER, UNLESS OTHERWISE NOTED, AND ARE FOR REFERENCE ONLY.
- FOR USE BY CUSTOMERS THAT HAVE THIS HYPRESS™ NO NEW Y34A HYPRESS™ TOOLS ARE BEING PROCESSED. Y34A USES A--D TYPE NEST DIES.
- UL LISTED AND CSA CERTIFIED WIRE CONNECTORS.
- "X", "W-RT", "W-VT", "U", & "L" DIE SETS ARE COLOR CODED. "A", "B", AND "C" DIES ARE NOT COLOR CODED. NESTS AND INDENTOR TYPE ARE NOT COLOR CODED.

TO ORDER BURNDY® PRODUCTS CALL		HYLUG™	
UNITED STATES 1-800-346-4175 (LONDONDERRY, NH)		ITEM NO: 502324	
CANADA: 1-800-361-6975 (QUEBEC) 1-800-387-6487 (ALL OTHER PROVINCES)		CAT. NO: YA272N	
FOR PRODUCT INFO: <a href="http://www.burndy.com">http://www.burndy.com</a>		DRAWN BY: HMALHOTRA 9/12/2012	
		CHECKER: J. MICHAUD 5/2/2013	
		DSN APRVL: R. ROMAN 4/26/2013	
		MFG APRVL: M. KNOPTON 3/18/2013	
		QA APRVL: T. WATTS 3/8/2013	
		MKT APRVL: J. SYLVIA 5/3/2013	
		PROD FAM: CM&R COMPRESSION	
		DRAWING NO	
		50008872	
		SHEET 1 OF 1	
		REV	
		A	