

DRAWING NO.
SC011842-01

4

3

2

1

REV	DATE	DESCRIPTION	ECO	BY	C'H'K.
E	03/29/2012 00:00:00 AM	CORRECT AND MARK L DIMENSION REFERENCE.	27127	AD	BSB

CATALOG NUMBER	COMMERCIAL CABLE SIZE	NAVY CABLE SIZE	FIG. NO.	C ±.03	D ±.03	H NOM.	K DIA. +.04 -.01	L REF.	N ±.03	T ±.02	WEIGHT OZ	RECOMMENDED TIGHTENING TORQUE IN-LBS [N-M]
KPA8C	#8 STR (.146) - #14 SOL (.064) 6mm ² STR (2.77 mm DIA.) - 2.5mm ² SOL (1.80mm DIA.)	#4 (.076), #9 (.108), #14 (.136)	1	.38 [10]	.47 [12]	.72 [18]	.21 [5]	.97 [25]	.22 [6]	.06 [2]	.25	25 [2.8]
KPA4C	#4 STR (.231) - #14 SOL (.064) 16mm ² STR (5.13 mm DIA.) - 2.5mm ² SOL (1.89mm DIA.)	#23 (.171), #30 (.202), #40 (.226)	1	.50 [13]	.59 [15]	.94 [24]	.27 [7]	1.22 [31]	.30 [8]	.06 [2]	.50	35 [4.0]
KPA25	1/0 STR (.373) - #4 STR (.231) 50mm ² STR (9.27 mm DIA.) - 16mm ² STR (5.13mm DIA.)	#50 (.254), #60 (.282), #75 (.345), #100 (.363)	2	.75 [19]	.81 [21]	1.25 [32]	.33 [8]	1.82 [46]	.41 [10]	.10 [3]	1.50	180 [20.3]
KPA28	4/0 STR (.528) - 1/0 STR (.373) 95mm ² STR (12.8 mm DIA.) - 50mm ² STR (9.27mm DIA.)	#125 (.407) #150 (.457)	2	.97 [25]	1.12 [28]	1.66 [42]	.39 [10]	2.40 [61]	.53 [13]	.13 [3]	3.44	250 [28.2]
KPA34	500 Kcmil (.814) - 4/0 STR (.528) 300mm ² (22.6 mm DIA.) - 95mm ² STR (12.8mm DIA.) 4/0 TYPE W, 2090/30 FLEX	-----	2	1.38 [35]	1.38 [35]	2.44 [62]	.54 [14]	3.32 [84]	.75 [19]	.20 [5]	8.00	375 [42.4]

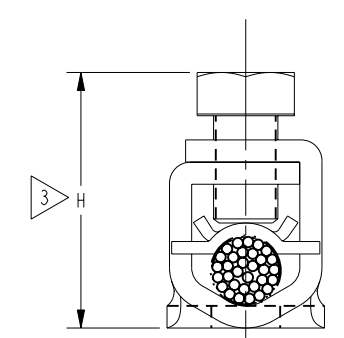
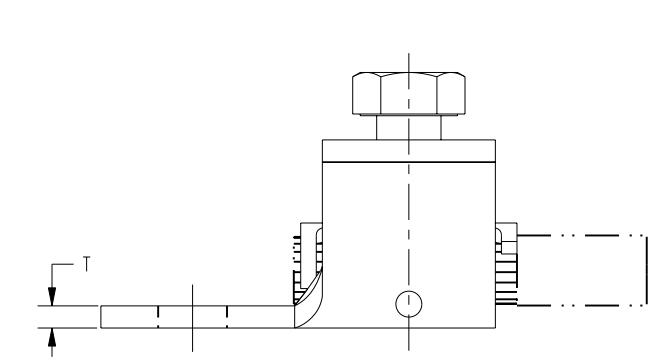
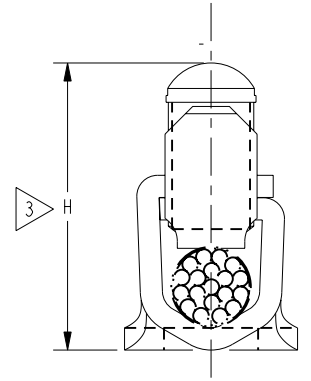
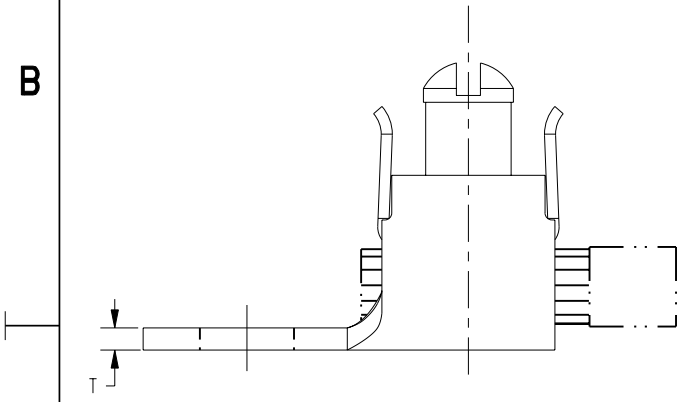
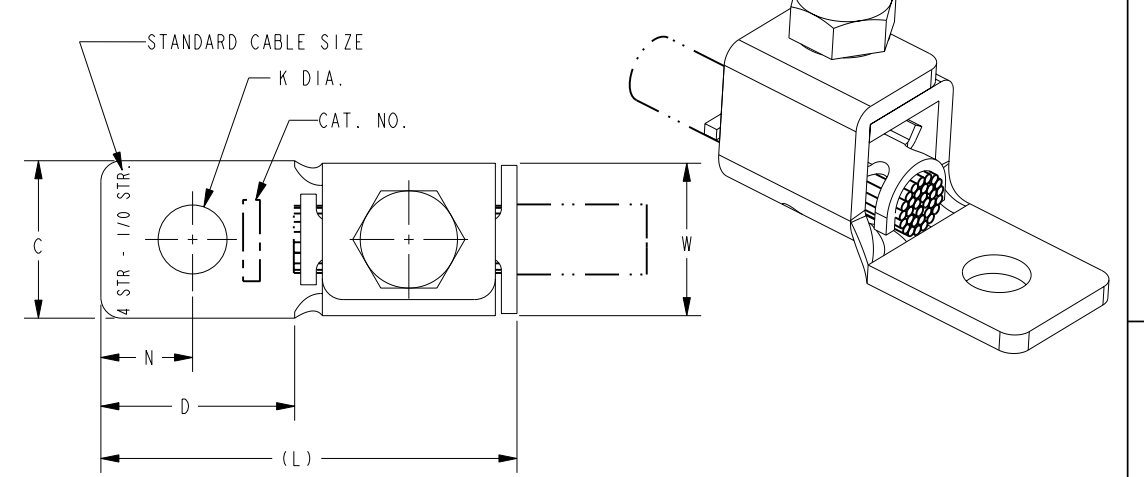
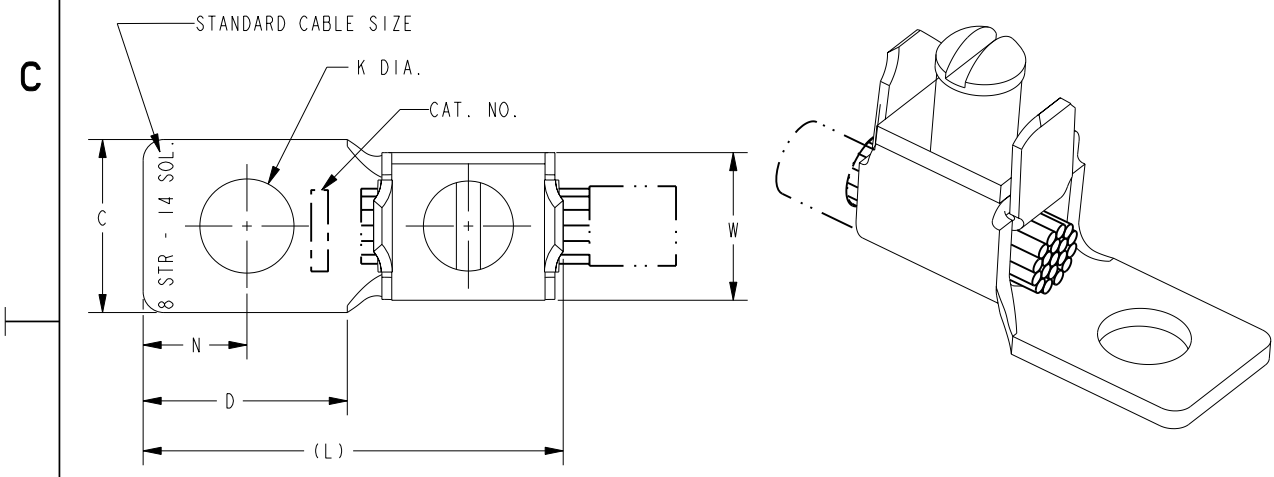


FIG. 1

FIG. 2

- NOTES:
- MATERIAL: COPPER ALLOY
 - FINISH: TIN PLATED.
 - APPROXIMATE BEFORE COMPRESSION WITH MAXIMUM CABLE IN PLACE.
 - DIMENSIONS IN BRACKETS [] ARE IN MILLIMETERS, ROUNDED OFF TO THE NEAREST MILLIMETER, UNLESS OTHERWISE NOTED, AND ARE FOR REFERENCE ONLY.
 - SUFFIX 'UNPL' DENOTES UNPLATED CONNECTOR.

TO ORDER BURNDY® PRODUCTS CALL		SCRULUG™	
UNITED STATES: 1-800-346-4175 (LONDONDERRY, NH)		ITEM NO: --	CAT. NO: KPA-- (SEE TABLE)
CANADA: 1-800-361-6975 (QUEBEC) 1-800-387-6487 (ALL OTHER PROVINCES)		DRAWN BY: BK 12/28/1949	CHECKER: CRG 12/29/1949
FOR PRODUCT INFO: http://www.burndy.com		DSN APPVL: K.MELLO --	MFG APPVL: --
		QA APPVL: --	MKT APPVL: P.MITCHELL --
		PROD FAM: --	DRAWING NO: SC011842-01
		PROJECT #: --	REV: E
		DOCUMENT TYPE: Sales	SIZE: C
		REL LEVEL: Released	SHEET 1 OF 1

4

3

2

1