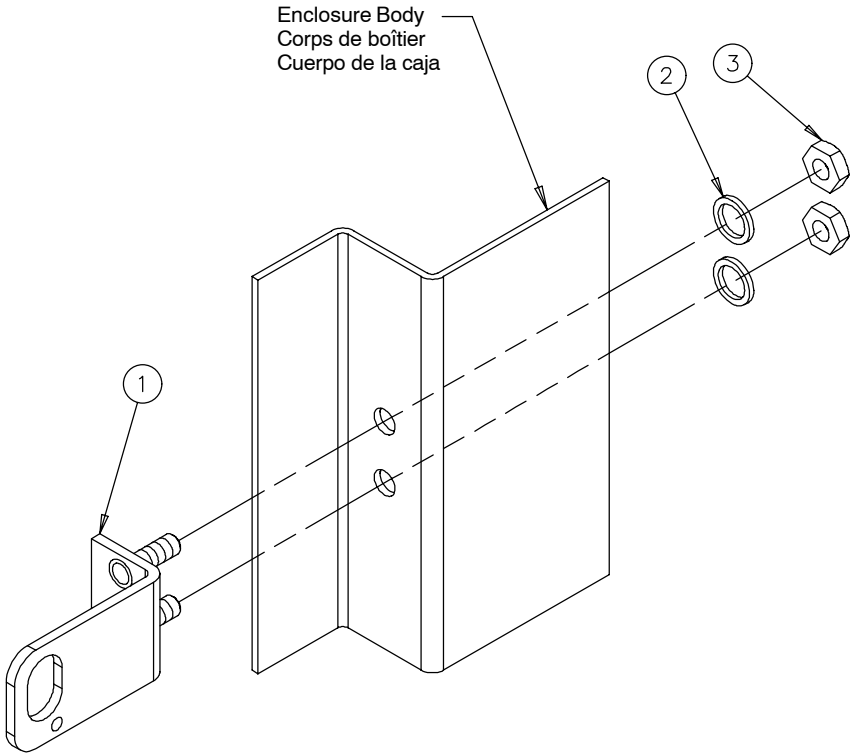
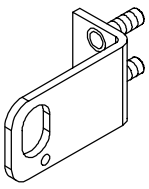




Staple Agrafe Grapa



A Pentair Company
Hoffman Enclosures Inc.
 2100 Hoffman Way
 Anoka, MN 55303-1745
 (763) 422-2211
www.hoffmanonline.com



<p>1</p>  <p>(1x)</p>	<p>2</p>  <p>(2x)</p>	<p>3</p> <p>10-32</p>  <p>32 in-lbs 3.6 Nm</p> <p>(2x)</p>
--	--	--