

FIBERGLASS FEED-THROUGH WIREWAY, NEMA TYPE 12 AND 3R



INDUSTRY STANDARDS

Material Flammability Rating UL 94-5V
Meets UL cold impact test for temperatures to -35 C

NEMA Type 12, 3R
IEC 60529, IP55
Recognized by National Electric Code for indoor and outdoor applications

APPLICATION

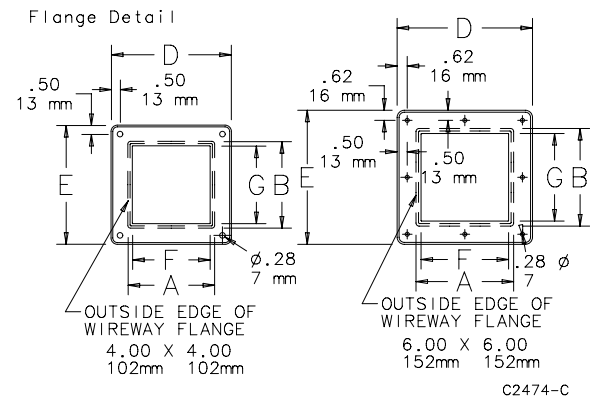
This temperature- and chemically-resistant fiberglass wireway protects wires and cables in corrosive or dirty indoor or outdoor applications.

FEATURES

- Seams are sealed
- No holes or knockouts
- Captivated Monel cover screws
- Oil-resistant cover gasket attached with oil-resistant adhesive
- Stainless steel flange screws
- Solid oil-resistant flange gasket
- Pultruded fiberglass polyester covers and bodies

FINISH

Fiberglass wireway is gray inside and out.



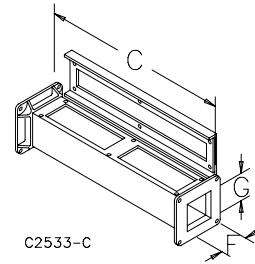
Standard Product Selection Matrix

Description	4.00 x 4.00 in. (102 x 102 mm)	6.00 x 6.00 in. (152 x 152 mm)
12.00-in. (305-mm) Straight Section	F44W12FG	F66W12FG
24.00-in. (610-mm) Straight Section	F44W24FG	F66W24FG
36.00-in. (914-mm) Straight Section	F44W36FG	F66W36FG
48.00-in. (1219-mm) Straight Section	F44W48FG	F66W48FG
60.00-in. (1524-mm) Straight Section	F44W60FG	F66W60FG
12.00-in. (305-mm) Straight Tube Section	F44W12STFG	—
24.00-in. (610-mm) Straight Tube Section	F44W24STFG	—
36.00-in. (914-mm) Straight Tube Section	F44W36STFG	—
48.00-in. (1219-mm) Straight Tube Section	F44W48STFG	—
60.00-in. (1524-mm) Straight Tube Section	F44W60STFG	—
120.00-in. (3048-mm) Straight Tube Section	F44W120STFG	—
Cross Fitting	F44WCFG	F66WCFG
Flexible Fitting	F44WFFFG	F66WFFFG
45° Elbow	F44WE45FG	F66WE45FG
90° Elbow	F44WE90FG	F66WE90FG
Cutoff Fitting	F44WXFG	F66WXFG
Tee Fitting	F44WTFG	F66WTFG
Closure Plate	F44WPPFG	F66WPPFG
Wireway Hanger	F44HBEP	F66HBEP
Box Connector	F44WBFG	F66WBFG

STRAIGHT SECTION

BULLETIN: F25

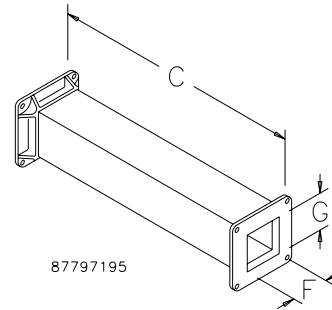
Catalog Number	AxBxC in.	AxBxC mm	F (in.)	F (mm)	G (in.)	G (mm)
F44W12FG	4.00 x 4.00 x 12.00	102 x 102 x 305	3.38	86	3.38	86
F44W24FG	4.00 x 4.00 x 24.00	102 x 102 x 610	3.38	86	3.38	86
F44W36FG	4.00 x 4.00 x 36.00	102 x 102 x 914	3.38	86	3.38	86
F44W48FG	4.00 x 4.00 x 48.00	102 x 102 x 1219	3.38	86	3.38	86
F44W60FG	4.00 x 4.00 x 60.00	102 x 102 x 1524	3.38	86	3.38	86
F66W12FG	6.00 x 6.00 x 12.00	152 x 152 x 305	5.38	137	5.38	137
F66W24FG	6.00 x 6.00 x 24.00	152 x 152 x 610	5.38	137	5.38	137
F66W36FG	6.00 x 6.00 x 36.00	152 x 152 x 914	5.38	137	5.38	137
F66W48FG	6.00 x 6.00 x 48.00	152 x 152 x 1219	5.38	137	5.38	137
F66W60FG	6.00 x 6.00 x 60.00	152 x 152 x 1524	5.38	137	5.38	137



STRAIGHT TUBE SECTION

BULLETIN: F25

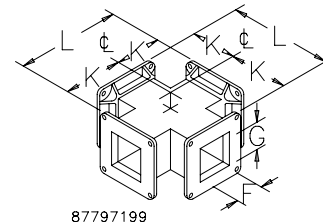
Catalog Number	AxBxC in./mm	F in./mm	G in./mm
F44W12STFG	4.00 x 4.00 x 12.00	3.38	3.38
	102 x 102 x 305	86	86
F44W24STFG	4.00 x 4.00 x 24.00	3.38	3.38
	102 x 102 x 610	86	86
F44W36STFG	4.00 x 4.00 x 36.00	3.38	3.38
	102 x 102 x 914	86	86
F44W48STFG	4.00 x 4.00 x 48.00	3.38	3.38
	102 x 102 x 1219	86	86
F44W60STFG	4.00 x 4.00 x 60.00	3.38	3.38
	102 x 102 x 1524	86	86
F44W120STFG	4.00 x 4.00 x 120.00	3.38	3.38
	102 x 102 x 3048	86	86



CROSS FITTING

BULLETIN: F25

Catalog Number	F in./mm	G in./mm	K in./mm	L in./mm
F44WCFG	3.38	3.38	6.00	12.00
	86	86	152	305
F66WCFG	5.38	5.38	6.00	12.00
	137	137	152	305

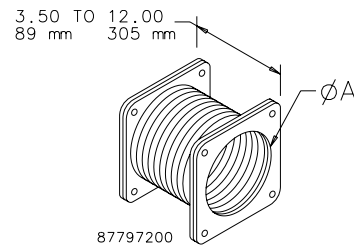


FLEXIBLE FITTING

Isolates a wireway run from shock and vibration. Compensates for misalignment. Used where an odd angle is required (but not to exceed 90 degrees). Permits movement of a machine or control station connected to a wireway run. Hypalon bellow with stainless steel flanges.

BULLETIN: F25

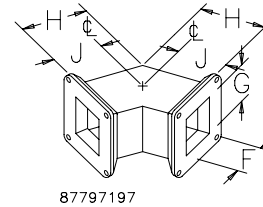
Catalog Number	AxB in./mm
F44WFFFG	4.00 x 4.00 102 x 102
F66WFFFG	6.00 x 6.00 152 x 152



45-DEGREE ELBOW

BULLETIN: F25

Catalog Number	F in./mm	G in./mm	H in./mm	J in./mm
F44WE45FG	3.38 86	3.38 86	5.81 148	5.00 127
F66WE45FG	5.38 137	5.38 137	7.62 194	6.62 168

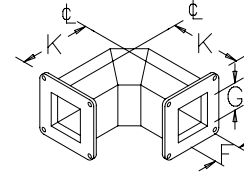


87797197

90-DEGREE ELBOW

BULLETIN: F25

Catalog Number	F in./mm	G in./mm	K in./mm
F44WE90FG	3.38 86	3.38 86	6.00 152
F66WE90FG	5.38 137	5.38 137	6.00 152



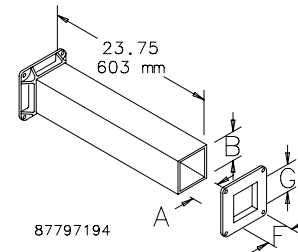
87797196

CUT-OFF FITTING

For lengths up to 24.00 in. (610 mm). Shorten body to desired length and bond flange to body. Adhesive is furnished.

BULLETIN: F25

Catalog Number	AxB in./mm	F in./mm	G in./mm
F44WXFG	4.00 x 4.00 102 x 102	3.38 86	3.38 86
F66WXFG	6.00 x 6.00 152 x 152	5.38 137	5.38 137

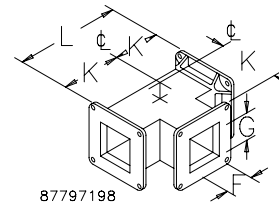


87797194

TEE FITTING

BULLETIN: F25

Catalog Number	F in./mm	G in./mm	K in./mm	L in./mm
F44WTFG	3.38 86	3.38 86	6.00 152	12.00 305
F66WTFG	5.38 137	5.38 137	6.00 152	12.00 305



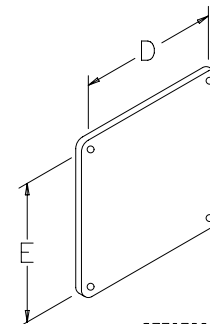
87797198

CLOSURE PLATE

10 gauge 316 stainless steel, used to seal the end of a wireway section or run. 6.00 x 6.00 in. (152 x 152 mm) can be used for transition to 4.00 x 4.00-in. (102 x 102-mm) size.

BULLETIN: F25

Catalog Number	D (in.)	D (mm)	E (in.)	E (mm)
F44WPPFG	6.00	152	6.00	152
F66WPPFG	8.25	210	8.25	210



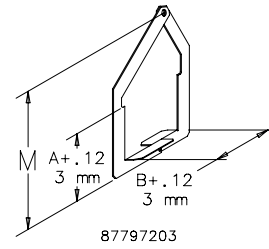
87797202

WIREWAY HANGER

10 gauge epoxy-coated steel, used to support wireway from overhead.

BULLETIN: F25

Catalog Number	AxB in./mm	M in./mm
F44HBEP	4.00 x 4.00 102 x 102	9.23 234
F66HBEP	6.00 x 6.00 152 x 152	12.36 314



BOX CONNECTOR

When wireway enters an enclosure, a box connector should be used on the inside of the enclosure to ensure a tight seal. Made from epoxy-coated 10 gauge steel.

BULLETIN: F25

Catalog Number	D (in.)	D (mm)	E (in.)	E (mm)
F44WBFG	6.00	152	6.00	152
F66WBFG	8.25	210	8.25	210

