



**CORRLOK® SYSTEM**  
Nylon Conduit and Connectors



Conduit



Connectors



Accessories



**electri-flex company**

# CORRLOK

Liquatite by Electri-Flex has earned a global reputation for manufacturing innovation and product quality. The pages that follow detail the Corrllok System.

The Corrllok System is comprised of four types of flexible corrugated nylon conduits — CL, CLR, CLL and CLFR — designed for a wide range of applications. They are produced by an extrusion/corrugation process resulting in a flexible, seamless corrugated tube. The internal corrugations are well-rounded to facilitate easier wire pulling.

The Corrllok System provides a very lightweight, liquidtight, flexible raceway alternative that's easy to work with and stands up to tough environments. Because the specially formulated nylons used are non-toxic and self-extinguishing, Corrllok is a proven choice in confined areas where fire hazards are a concern.

The Corrllok accessories provide designers and electricians with many options for configuring and installing the raceway system. These accessories allow for a quick, simplified method of assembly and are perfectly suited for pre-wiring of harnesses.

The low-profile fittings are great to use in tight areas and are molded from high-impact UL V-O Nylon. The one-piece design is easier than ever to assemble and re-use, using a simple removal sleeve. The conduit seats securely into place with the push of your hand.

## Distinctive Characteristics Include:

- Fast installation
- UL recognized
- Liquidtight equivalent to IP 65 (NEMA 4) and IP 68 (NEMA 6)
- Fitting material passes ASTM E662, ATSM E1662 and SMP 800-C
- Halogen-free
- Flame-resistant
- High impact and crush strength
- Resistant to many chemicals
- Sunlight-resistant
- Extreme temperature range
- High pullout strength
- RoHS and WEEE Compliant

## Applications:

- Passenger rail vehicle wiring
- Industrial control equipment
- Machine tools
- Textile machinery
- Molding/extrusion equipment
- Fiber optics
- Medical equipment
- Robotics
- Wire harnesses



*The one-piece, snap-on connector can be easily removed by using the supplied yellow removal sleeve shown here.*

# TYPE CL

Standard Weight



**TYPE CL:** Provides the best mechanical strength and protection of the Corlok conduits.

**MATERIAL:** Halogen-Free Nylon 6

**WORKING TEMPERATURE:** -40°C to 105°C, intermitting to 150°C

**STANDARD COLOR:** Black

Other colors available upon request.

UL Recognized Component, 600 Volt, 105°C, Vertical Flame, Liquidtight, UV and Impact Tested

Type	U.S. Trade Size	MM	NW	Nominal Dimensions		Min. Inside Bend Radius Static	Weight lbs./100ft.	Standard Footage	
				Inside	Outside			Length	Part #
CL-140	1/4"	10	7	0.226" (6.5mm)	0.394" (10.0mm)	0.8"	2.0	100	79001
CL-516	5/16"	12	10	0.374" (9.5mm)	0.512" (13.0mm)	1.0"	2.5	100	79071
CL-10	3/8"	16	12	0.452" (11.5mm)	0.622" (15.8mm)	1.5"	5.0	100	79081
CL-11	1/2"	20	17	0.633" (16.1mm)	0.826" (21.0mm)	1.7"	7.0	100	79181
CL-12	3/4"	25	23	0.846" (22.5mm)	1.122" (28.5mm)	2.0"	9.5	100	79281
CL-13	1"	32	29	1.063" (27.0mm)	1.358" (34.5mm)	2.5"	13.0	50	79381
CL-14	1-1/4"	40	36	1.380" (35.0mm)	1.673" (42.5mm)	2.8"	16.0	50	79481
CL-15	1-1/2"	50	48	1.810" (46.0mm)	2.145" (54.5mm)	3.3"	19.0	50	79581

# TYPE CLR

Robotics



**TYPE CLR:** Very lightweight and extremely flexible. Ideally suited for robotic equipment. This tubing is intended for applications requiring continuous, repeated flexing motion.

**MATERIAL:** Halogen-Free Nylon 12

**WORKING TEMPERATURE:** -50°C to 95°C, intermitting to 150°C

**STANDARD COLOR:** Black

Other colors available upon request.

UL Recognized Component, 600 Volt, 105°C, Vertical Flame, Liquidtight, UV and Impact Tested

Type	U.S. Trade Size	MM	NW	Nominal Dimensions		Min. Inside Bend Radius		Weight lbs./100ft.	Standard Footage	
				Inside	Outside	Static	Dynamic		Length	Part #
CLR-140	1/4"	10	7	0.226" (6.5mm)	0.394" (10.0mm)	0.5"	1.0"	1.6	100	790019
CLR-516	5/16"	12	10	0.378" (9.6mm)	0.512" (13.0mm)	0.8"	2.0"	1.8	100	790719
CLR-10	3/8"	16	12	0.460" (11.7mm)	0.622" (15.8mm)	1.0"	2.6"	3.0	100	790819
CLR-11	1/2"	20	17	0.653" (16.6mm)	0.826" (21.0mm)	1.2"	3.5"	4.4	100	791819
CLR-12	3/4"	25	23	0.854" (21.7mm)	1.122" (28.5mm)	1.6"	4.0"	6.7	100	792819
CLR-13	1"	32	29	1.078" (27.4mm)	1.358" (34.5mm)	2.0"	5.0"	9.0	50	793819
CLR-14	1-1/4"	40	36	1.410" (35.8mm)	1.673" (42.5mm)	2.4"	7.0"	10.8	50	794819
CLR-15	1-1/2"	50	48	1.840" (46.7mm)	2.145" (54.5mm)	2.8"	8.0"	15.4	50	795819
CLR-17	2-1/2"	70	70	2.645" (67.0mm)	3.150" (80.0mm)	6.0"	14.0"	31.6	30	796869
CLR-350	3-1/2"	95	95	3.600" (91.5mm)	4.170" (106mm)	7.0"	18.0"	51.8	30	798869

# TYPE CLL

Light Weight



**TYPE CLL:** This lightweight version provides many of the same qualities of Type CL, but with improved flexibility.

**MATERIAL:** Halogen-Free Nylon 6

**WORKING TEMPERATURE:** -40°C to 105°C, intermitting to 150°C

**STANDARD COLOR:** Black  
Other colors available upon request.

UL Recognized Component, 600 Volt, 105°C, Vertical Flame, Liquidtight, UV and Impact Tested

Type	U.S. Trade Size	MM	NW	Nominal Dimensions		Min. Inside Bend Radius Static	Weight lbs./100ft.	Standard Footage	
				Inside	Outside			Length	Part #
CLL-10	3/8"	16	12	0.452" (11.5mm)	0.622" (15.8mm)	0.7"	3.4	100	790816
CLL-11	1/2"	20	17	0.633" (16.1mm)	0.826" (21.0mm)	0.8"	4.4	100	791816
CLL-12	3/4"	25	23	0.865" (22.0mm)	1.122" (28.5mm)	1.2"	6.7	100	792816
CLL-13	1"	32	29	1.087" (27.6mm)	1.358" (34.5mm)	1.4"	9.1	50	793816
CLL-14	1-1/4"	40	36	1.420" (36.0mm)	1.673" (42.5mm)	2.4"	11.0	50	794816
CLL-15	1-1/2"	50	48	1.850" (47.0mm)	2.145" (54.5mm)	2.8"	16.0	50	795816
CLL-17	2-1/2"	70	70	2.645" (67.0mm)	3.150" (80.0mm)	6.3"	32.0	30	79686
CLL-350	3-1/2"	95	95	3.600" (91.5mm)	4.170" (106mm)	8.3"	52.0	30	79886

# TYPE CLFR

Low Fire Hazard



**Type CLFR:** Made from a specially modified nylon material with excellent self-extinguishing characteristics and minimal smoke and toxic gas generation. CLFR is an excellent choice for confined inhabited areas such as public transit/rail vehicles, subway stations, tunnels, etc.

**MATERIAL:** Halogen-Free Nylon 6 UL94 VO

**WORKING TEMPERATURE:** -40°C to 105°C

**STANDARD COLOR:** Black  
Other colors available upon request.

UL Recognized Component, 600 Volt, 105°C, Vertical Flame, Liquidtight, UV and Impact Tested

**TESTS INCLUDE:** UL 94 Vertical Burn  
Flame Spread Index ASTM E 162  
Smoke Generation ASTM E 662  
Toxic Gas Generation  
Bombardier SMP 800-C

Type	U.S. Trade Size	MM	NW	Nominal Dimensions		Min. Inside Bend Radius Static	Weight lbs./100ft.	Standard Footage	
				Inside	Outside			Length	Part #
CLFR-140	1/4"	10	7	0.226" (6.5mm)	0.394" (10.0mm)	0.8"	2.0	100	84901
CLFR-516	5/16"	12	10	0.370" (9.4mm)	0.512" (13.0mm)	1.0"	2.5	100	84911
CLFR-10	3/8"	16	12	0.460" (11.7mm)	0.622" (15.8mm)	1.5"	5.0	100	85001
CLFR-11	1/2"	20	17	0.653" (16.6mm)	0.826" (21.0mm)	1.7"	7.0	100	85011
CLFR-12	3/4"	25	23	0.854" (21.7mm)	1.122" (28.5mm)	2.0"	9.5	100	85021
CLFR-13	1"	32	29	1.090" (27.7mm)	1.358" (34.5mm)	2.5"	13.0	50	85031
CLFR-14	1-1/4"	40	36	1.381" (35.1mm)	1.673" (42.5mm)	2.8"	16.0	50	85041
CLFR-15	1-1/2"	50	48	1.835" (46.6mm)	2.145" (54.5mm)	3.3"	19.0	50	85051

Combustion & Flammability Properties	TEST	VALUE
Vertical Burn — Material (No Flaming Drips)	UL94	V-0 Rating
Vertical Burn — Conduit (No Flaming Drips)	UL360	Pass
Flame Spread Index (No Flaming Drips)	ASTM E162	1.0
Smoke Generation — Flaming	ASTM E662 (NFPA-258)	Ds 35@1.5 Min. (Ds 85@4.0 Min.)
Smoke Generation — Non-Flaming	ASTM E662 (NFPA-258)	Ds 5@1.5 Min. (Ds 24@4.0 Min.)
Toxic Gas Generation BOMBARDIER	SMP 800-C	Pass

Test data based on controlled laboratory conditions and does not necessarily reflect performance in actual fire conditions. Additional product information available upon request.

# STRAIGHT NEW

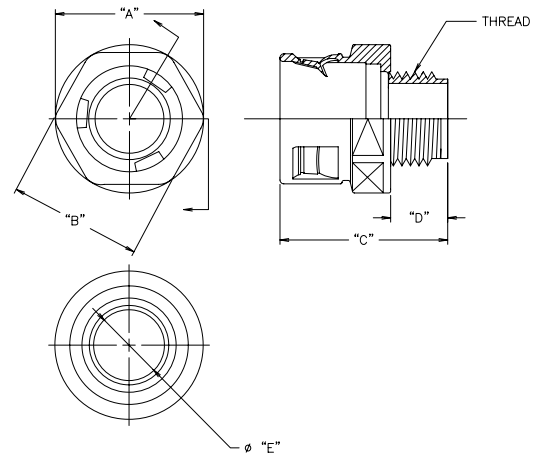


## NPT Threaded Fittings IP 65

IP 65								IP 68					
Cat #	U.S. Trade Size	MM	NW	Thread Size	Unit Pack	Part #	Standard Carton	Part #	Cat #	Unit Pack	Part #	Standard Carton	Part #
CF-140	1/4"	10	7	PG-7	1	90199	—	—	CFS-140	1	90820	—	—
CF-516	5/16"	12	10	PG-9	1	90170	—	—	CFS-516	1	90822	—	—
CF-10	3/8"	16	12	1/2" NPT	25	90201	100	90202	CFS-10	25	90831	100	90832
CF-11	1/2"	20	17	1/2" NPT	25	90221	100	90222	CFS-11	25	90841	100	90842
CF-12	3/4"	25	23	3/4" NPT	25	90241	50	90242	CFS-12	25	90851	50	90852
CF-13	1"	32	29	1" NPT	10	90261	30	90262	CFS-13	10	90861	30	90862
CF-14	1-1/4"	40	36	1-1/4" NPT	5	90281	20	90282	CFS-14	5	90871	20	90872
CF-15	1-1/2"	50	48	1-1/2" NPT	2	90301	10	90302	CFS-15	2	90881	10	90882

### Approx. Dimensions

Cat #	U.S. Trade Size	Thread Size	A	B	C	D	E
CF-140	1/4"	PG-7	—	—	—	—	—
CF-516	5/16"	PG-9	—	—	—	—	—
CF-10	3/8"	1/2" NPT	.985	.815	1.380	.500	.495
CF-11	1/2"	1/2" NPT	1.155	1.060	1.510	.500	.585
CF-12	3/4"	3/4" NPT	1.525	1.410	1.680	.540	.745
CF-13	1"	1" NPT	1.730	1.565	1.780	.540	1.030
CF-14	1-1/4"	1-1/4" NPT	2.070	1.975	2.225	.730	1.325
CF-15	1-1/2"	1-1/2" NPT	2.675	2.565	2.350	.700	1.545



IP 65 is the equivalent to NEMA 4 and can withstand spraying water from entering.  
 IP 68 is the equivalent to NEMA 6 and can withstand water from entering during submersion.

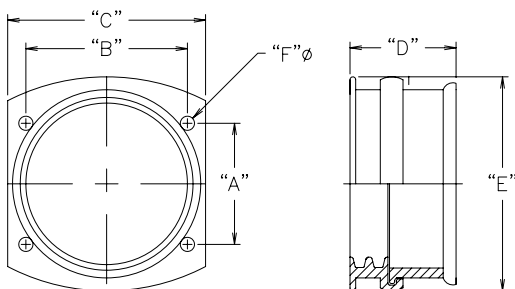
# FLANGED

Jumbo Straight



Flanged connectors do not have threaded ends, but are intended to be mounted as a bulk head device. Part numbers include clamps. Seals are provided for liquidtight connections.

Cat #	U.S. Trade Size	MM	NW	Unit Pack	Part #	Nominal Dimensions					
						A	B	C	D	E	F
CFF-17	2-1/2"	70	70	1	90315	2.362	3.149	3-7/8"	2-1/16"	4-3/16"	17/64"
CFF-350	3-1/2"	95	95	1	90325	2.913	4.251	4-31/32"	2-1/16"	5-7/32"	17/64"



# 90° ANGLE NEW

45° angle connector also available



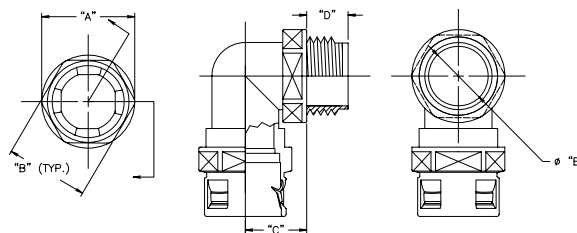
## NPT Threaded Fittings IP 65

## IP 68

Cat #	U.S. Trade Size	MM	NW	Thread Size	Unit Pack	Part #	Standard Carton	Part #	Cat #	Unit Pack	Part #	Standard Carton	Part #
CF-140A	1/4"	10	7	PG-7	1	90195	—	—	CFS-140A	1	90821	—	—
CF-516A	5/16"	12	10	PG-9	1	90180	—	—	CFS-516A	1	90823	—	—
CF-20	3/8"	16	12	1/2" NPT	25	90211	100	90212	CFS-20	25	90901	100	90902
CF-21	1/2"	20	17	1/2" NPT	25	90231	50	90232	CFS-21	25	90911	50	90912
CF-22	3/4"	25	23	3/4" NPT	10	90251	30	90252	CFS-22	10	90921	30	90922
CF-23	1"	32	29	1" NPT	10	90271	20	90272	CFS-23	10	90931	20	90932
CF-24	1-1/4"	40	36	1-1/4" NPT	5	90291	10	90292	CFS-24	5	90941	10	90942
CF-25	1-1/2"	50	48	1-1/2" NPT	2	90311	10	90312	CFS-25	2	90951	10	90952

### Approx. Dimensions

Cat #	U.S. Trade Size	Thread Size	A	B	C	D	E
CF-140A	1/4"	PG-7	—	—	—	—	—
CF-516A	5/16"	PG-9	.775	.735	.665	.360	.410
CF-20	3/8"	1/2" NPT	.920	.820	.750	.480	.560
CF-21	1/2"	1/2" NPT	1.160	1.065	.800	.510	.650
CF-22	3/4"	3/4" NPT	1.525	1.140	.970	.600	.820
CF-23	1"	1" NPT	1.730	1.570	1.180	.570	1.030
CF-24	1-1/4"	1-1/4" NPT	2.085	1.965	1.600	.690	1.390
CF-25	1-1/2"	1-1/2" NPT	2.680	2.575	1.940	.710	1.475



IP 65 is the equivalent to NEMA 4 and can withstand spraying water from entering.

IP 68 is the equivalent to NEMA 6 and can withstand water from entering during submersion.

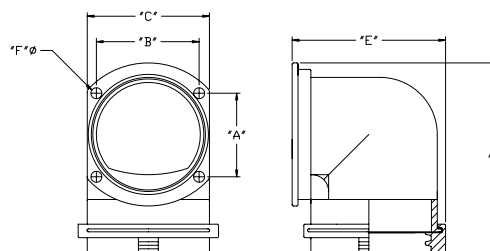


# FLANGED

Jumbo 90° Angle

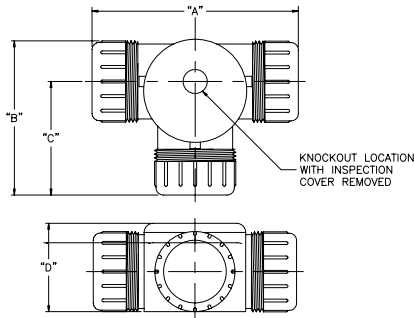
Flanged connectors do not have threaded ends, but are intended to be mounted as a bulk head device. Part numbers include clamps. Seals are provided for liquidtight connections.

Cat #	U.S. Trade Size	MM	NW	Unit Pack	Part #	Nominal Dimensions				Screw Req'd	
						A	B	C	D	E	F
CFF-27	2-1/2"	70	70	1	90320	2.362	3.149	3-25/32"	5-1/32"	4-11/32"	17/64"
CFF-350A	3-1/2"	95	95	1	90330	2.913	4.251	4-31/32"	6-17/32"	5-11/16"	17/64"





# TYPE CTC T Connector

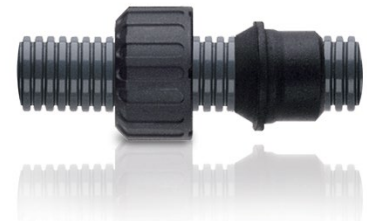


Cat #	U.S. Trade Size	MM	NW	Nominal Dimensions				Part #
				A	B	C	D	
CTC-140	1/4" x 3	10	7	2-11/16"	1-31/32"	1-17/32"	1-1/16"	90514
CTC-516	5/16" x 3	12	10	2-11/16"	1-31/32"	1-17/32"	1-1/16"	90516
CTC-10	3/8" x 3	16	12	2-3/4"	2"	1-1/2"	1-7/32"	90517
CTC-11	1/2" x 3	20	17	3-5/32"	2-9/32"	1-11/16"	1-3/8"	90518
CTC-12	3/4" x 3	25	23	3-3/4"	2-13/16"	2-1/32"	1-11/16"	90519
CTC-13	1" x 3	32	29	4-5/16"	3-5/16"	2-13/32"	2"	90523

Y Connector and Parallel Splitters are available upon request. Please consult factory.

# TYPE TR T Reducer

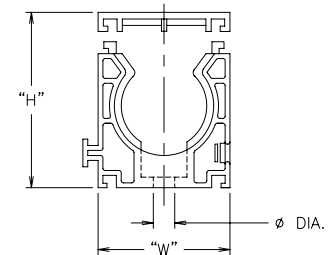
U.S. Trade	Reduce to	U.S. Trade	MM (NW)	Reduce to	MM (NW)	Cat #	Part #
5/16"	→	1/4"	12(10)	→	10(7)	TR-516-140	90670
3/8"	→	5/16"	16(12)	→	12(10)	TR-10-516	90672
1/2"	→	5/16"	20(17)	→	12(10)	TR-11-516	90673
1/2"	→	3/8"	20(17)	→	16(12)	TR-11-10	90674
3/4"	→	5/16"	25(23)	→	12(10)	TR-12-516	90675
3/4"	→	3/8"	25(23)	→	16(12)	TR-12-10	90676
3/4"	→	1/2"	25(23)	→	20(17)	TR-12-11	90678
1"	→	1/2"	32(29)	→	20(17)	TR-13-11	90679



# TYPE MB Mounting Bracket



Cat #	W	H	ø Dia.	Part #
MB-140	1.024	1.161	0.18	90350
MB-516	1.024	1.161	0.22	90355
MB-10	1.024	1.181	0.22	90360
MB-11	1.181	1.437	0.25	90365
MB-12	1.496	1.752	0.25	90370
MB-13	1.831	1.969	0.25	90375
MB-14	2.264	2.362	0.25	90380
MB-15	2.697	2.835	0.25	90385



In addition to the standard components shown in this brochure, the Corrlok System also provides a variety of accessories for special applications:

- Metric and PG Threaded Connectors
- 45° Angle Connectors
- Flanged 90° Connectors
- Female Threaded Connectors
- Metal Threaded Connectors

Please consult factory by calling (630) 529-2920, or visit [www.electriflex.com](http://www.electriflex.com) for more details.



Family owned and operated since its inception and incorporation in 1955, Electri-Flex remains focused on the quality, service and partnership values that have resulted in its leadership position in the electrical industry. The company's innovations have included its premier Liquatite® line and other manufacturing patents, as well as numerous packaging improvements.

If you are seeking cost-effective, high-quality flexible conduit for any application, give us a call. Whatever your design challenge, we can provide a solution.



**electri-flex company**

222 West Central Avenue • Roselle, IL 60172-1994

Toll Free: (800) 323-6174 • (630) 529-2920 • Fax (630) 529-0482

Sales Department E-mail: [sales@electriflex.com](mailto:sales@electriflex.com)

Marketing Department E-mail: [mktg@electriflex.com](mailto:mktg@electriflex.com) Technical Assistance E-mail: [eng@electriflex.com](mailto:eng@electriflex.com)

**[www.electriflex.com](http://www.electriflex.com)**

