

Temporary Power



Technical Data

Temp Power/
Power Outlets

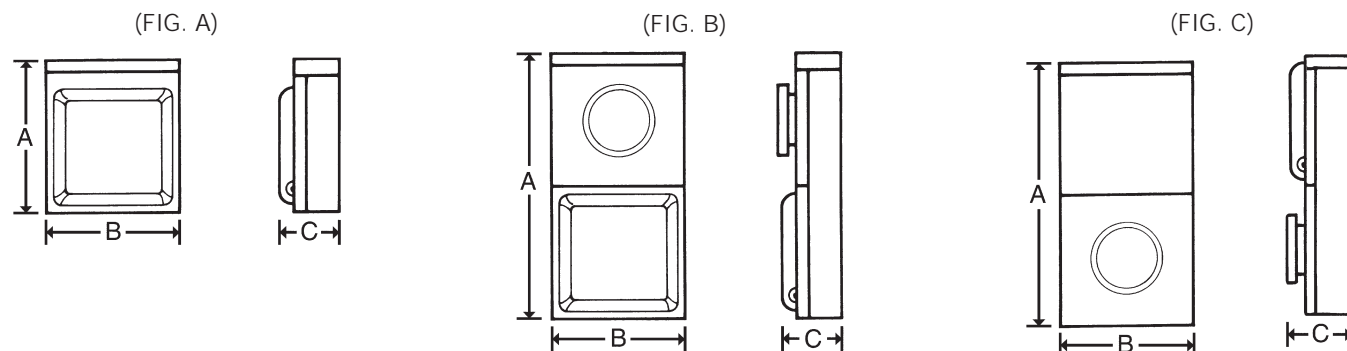
MODEL NUMBER	REPLACEMENT PARTS		CABINET SIZE	ENCLOSURE STYLE page 53	CABINET DIMENSIONS			KNOCKOUT FIGURE page 54
	METER SOCKET	HEIGHT			WIDTH	DEPTH		
							A	
M011C010	MSM100930	9 X 30	B	30"	9-3/4"	5-3/16"	2	
M011C010U	MSM100EZ	9 X 30U	C	30"	9-3/4"	5-3/16"	3	
M011G	MSM100930	9 X 30	B	30"	9-3/4"	5-3/16"	2	
M036C010	MSM100930	9 X 30	B	30"	9-3/4"	5-3/16"	2	
M036C010U	MSM100EZ	9 X 30U	C	30"	9-3/4"	5-3/16"	3	
M036C033	MSM100930	9 X 30	B	30"	9-3/4"	5-3/16"	2	
M036C033U	MSM100EZ	9 X 30U	C	30"	9-3/4"	5-3/16"	3	
M036G	MSM100930	9 X 30	B	30"	9-3/4"	5-3/16"	2	
M038C010	MSM100930	9 X 30	B	30"	9-3/4"	5-3/16"	2	
M038C010U	MSM100EZ	9 X 30U	C	30"	9-3/4"	5-3/16"	3	
M038C033	MSM100930	9 X 30	B	30"	9-3/4"	5-3/16"	2	
M038C033U	MSM100EZ	9 X 30U	C	30"	9-3/4"	5-3/16"	3	
M038CB1010	MSM10014	14 X 26	B	26-1/4"	14-3/4"	4-9/16"	4	
M038CB1033	MSM10014	14 X 26	B	26-1/4"	14-3/4"	4-9/16"	4	
M038G	MSM100930	9 X 30	B	30"	9-3/4"	5-3/16"	2	
M038GB1	MSM10014	14 X 26	B	26-1/4"	14-3/4"	4-9/16"	4	
M038GB1033	MSM10014	14 X 26	B	26-1/4"	14-3/4"	4-9/16"	4	
M041C010U	MSM100EZ	9 X 30U	C	30"	9-3/4"	5-3/16"	4	
M051C010	MSM100930	9 X 30	B	30"	9-3/4"	5-3/16"	2	
M051G	MSM100930	9 X 30	B	30"	9-3/4"	5-3/16"	2	
M055C010	MSM100930	9 X 30	B	30"	9-3/4"	5-3/16"	2	
M055C010U	MSM100EZ	9 X 30U	C	30"	9-3/4"	5-3/16"	3	
M055C033	MSM100930	9 X 30	B	30"	9-3/4"	5-3/16"	2	
M055C033U	MSM100EZ	9 X 30U	C	30"	9-3/4"	5-3/16"	3	
M055G	MSM100930	9 X 30	B	30"	9-3/4"	5-3/16"	2	
M055GP6033	MSM100930	9 X 30	B	30"	9-3/4"	5-3/16"	2	
M075C010U	MSM100EZ	9 x 30U	C	30"	9-3/4"	5-3/16"	4	
M076C010	MSM100930	9 X 30	B	30"	9-3/4"	5-3/16"	2	
M076C010U	MSM100EZ	9 X 30U	C	30"	9-3/4"	5-3/16"	3	
M076C033	MSM100930	9 X 30	B	30"	9-3/4"	5-3/16"	2	
M355C010U	MSM100EZ	9 x 30U	C	30"	9-3/4"	5-3/16"	4	
R011C010	MSR100930	9 X 30	B	30"	9-3/4"	5-3/16"	2	
R011C010U	MSR100EZ	9 X 30U	C	30"	9-3/4"	5-3/16"	3	
R011G	MSR100930	9 X 30	B	30"	9-3/4"	5-3/16"	2	
R031C010U	MSR100EZ	9 x 30U	C	30"	9-3/4"	5-3/16"	4	
R036C010	MSR100930	9 X 30	B	30"	9-3/4"	5-3/16"	2	
R036C010U	MSR100EZ	9 X 30U	C	30"	9-3/4"	5-3/16"	3	
R036C033U	MSR100EZ	9 X 30U	C	30"	9-3/4"	5-3/16"	3	
R036G	MSR100930	9 X 30	B	30"	9-3/4"	5-3/16"	2	
R038C010	MSR100930	9 X 30	B	30"	9-3/4"	5-3/16"	2	
R038C010U	MSR100EZ	9 X 30U	C	30"	9-3/4"	5-3/16"	3	
R038C033	MSR100930	9 X 30	B	30"	9-3/4"	5-3/16"	2	
R038C033U	MSR100EZ	9 X 30U	C	30"	9-3/4"	5-3/16"	3	
R038CP4010	MSR100EZ	9 PT	B	30"	9-3/4"	5-3/16"	2	
R038CP4033	MSR100EZ	9 PT	B	30"	9-3/4"	5-3/16"	2	
R038G	MSR100930	9 X 30	B	30"	9-3/4"	5-3/16"	2	
R038GU	MSR100EZ	9 X 30U	C	30"	9-3/4"	5-3/16"	3	
R055C010	MSR100930	9 X 30	B	30"	9-3/4"	5-3/16"	2	
R055C010U	MSR100EZ	9 X 30U	C	30"	9-3/4"	5-3/16"	3	
R055C033	MSR100930	9 X 30	B	30"	9-3/4"	5-3/16"	2	

Technical Data

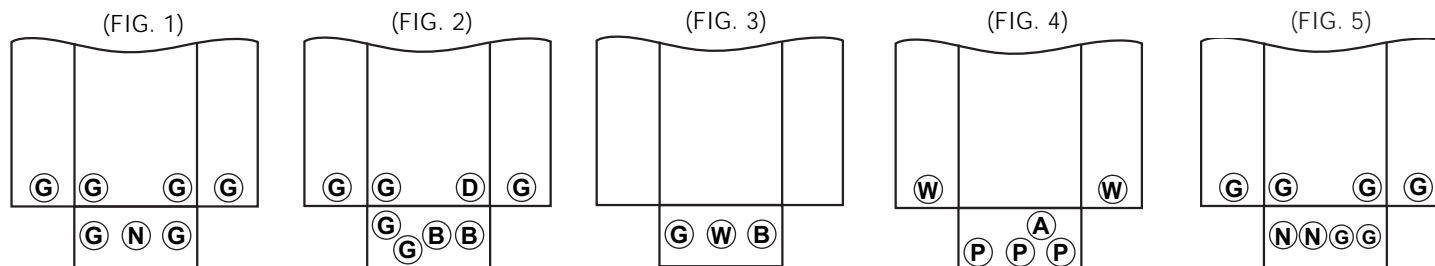
MODEL NUMBER	REPLACEMENT PARTS		CABINET SIZE	ENCLOSURE STYLE page 53	CABINET DIMENSIONS			KNOCKOUT FIGURE page 54
	METER SOCKET	HEIGHT A			WIDTH B	DEPTH C		
R055C033U	MSR100EZ	30"	9 X 30U	C	9-3/4"	5-3/16"	3	
R055G	MSR100930	30"	9 X 30	B	9-3/4"	5-3/16"	2	
R075C010U	MSR100EZ	30"	9 X 30U	C	9-3/4"	5-3/16"	4	
R076C010	MSR100930	30"	9 X 30	B	9-3/4"	5-3/16"	2	
R076C010U	MSR100EZ	30"	9 X 30U	C	9-3/4"	5-3/16"	3	
R076C033	MSR100930	30"	9 X 30	B	9-3/4"	5-3/16"	2	
U011C010	—	14-3/8"	6 X 14	A	6-3/4"	5-3/16"	1	
U011G	—	14-3/8"	6 X 14	A	6-3/4"	5-3/16"	1	
U011GTL	—	14-3/8"	6 X 14	A	6-3/4"	5-3/16"	1	
U030	—	7-1/8"	5 X 7	A	5-3/4"	5-3/16"	1	
U036C010	—	14-3/8"	6 X 14	A	6-3/4"	5-3/16"	1	
U036C033	—	14-3/8"	6 X 14	A	6-3/4"	5-3/16"	1	
U036G	—	14-3/8"	6 X 14	A	6-3/4"	5-3/16"	1	
U038C010	—	17-3/8"	9 X 17	A	9-3/4"	5-3/16"	2	
U038C033	—	17-3/8"	9 X 17	A	9-3/4"	5-3/16"	2	
U038CTL010	—	17-3/8"	9 X 17	A	9-3/4"	5-3/16"	2	
U038CTL033	—	17-3/8"	9 X 17	A	9-3/4"	5-3/16"	2	
U038G	—	17-3/8"	9 X 17	A	9-3/4"	5-3/16"	2	
U039G6	—	21"	9 X 21	*	9-3/4"	5-3/16"	5	
U051C	—	14-3/8"	6 X 14	A	6-3/4"	5-3/16"	1	
U051C010	—	14-3/8"	6 X 14	A	6-3/4"	5-3/16"	1	
U051C033	—	14-3/8"	6 X 14	A	6-3/4"	5-3/16"	1	
U051G	—	14-3/8"	6 X 14	A	6-3/4"	5-3/16"	1	
U054C	—	14-3/8"	6 X 14	A	6-3/4"	5-3/16"	1	
U055C010	—	14-3/8"	6 X 14	A	6-3/4"	5-3/16"	1	
U055C033	—	14-3/8"	6 X 14	A	6-3/4"	5-3/16"	1	
U055G	—	14-3/8"	6 X 14	A	6-3/4"	5-3/16"	1	
U072C	—	17-3/8"	9 X 17	A	9-3/4"	5-3/16"	2	
U073G	—	17-3/8"	9 X 17	A	9-3/4"	5-3/16"	2	
U076C010	—	17-3/8"	9 X 17	A	9-3/4"	5-3/16"	2	
U076C033	—	17-3/8"	9 X 17	A	9-3/4"	5-3/16"	2	
U076G	—	17-3/8"	9 X 17	A	9-3/4"	5-3/16"	2	

Temp Power /
Power Outlets

Cabinet Dimensions



Knockout Configurations



A= 1/2"
B= 1", 1-1/4", 1-1/2"
D= 3/4", 1", 1-1/4"

G= 1/2", 3/4", 1"
N= 1/2", 3/4", 1", 1-1/4", 1-1/2"

P= 1/2", 3/4", 1", 1-1/4", 1-1/2", 2", 2-1/2"
W= 1/2", 3/4", 1", 1-1/4", 2"

Wire Range Tables

TABLE AA

Connector	Copper		Aluminum	
	Solid	Strand	Solid	Strand
Line	----	6-1/0	----	6-1/0
Load	14-10	14-10	----	----
Neutral Lrg Hole	12-8	12-1/0	10-8	10-1/0
Neutral Sm Hole	14-8	14-4	12-8	12-4
Equip. Grnd.	12-8	12-2	12-8	12-2

TABLE A2

Connector	Copper		Aluminum	
	Solid	Strand	Solid	Strand
Line	----	6-1/0	----	6-1/0
Load	14-10	14-10	----	----
Neutral Lrg Hole	12-8	12-1/0	10-8	10-1/0
Neutral Sm Hole	14-8	14-4	12-8	12-4
Equip. Grnd.	12-8	12-2	12-8	12-2
<small>Post Line Connectors Suitable for Loop Feed</small>	2-250 KCMIL		2-250 KCMIL	
Equip. Grnd.	12-2	12-2	12-2	12-2

TABLE C

Connector	Copper		Aluminum	
	Solid	Strand	Solid	Strand
Line	----	1-300	----	1-300
Ground Lrg Hole	12-8	12-1/0	12-10	10-1/0
Ground Sm Hole	14-8	14-4	12-10	10-1/0
Neutral Lrg Hole	14-1/0	14-1/0	14-1/0	14-1/0
Neutral Sm Hole	14-6	14-6	14-6	14-6

TABLE G

Connector	Copper	
	Solid	Strand
Line	12-8	12-4
Load	----	----
Neutral	12-8	12-4
Equip. Grnd.	12-8	12-2

TABLE H

Connector	Copper		Aluminum	
	Solid	Strand	Solid	Strand
Line	14-8	14-2	12-8	12-2
Load	14-10	14-10	----	----
Neutral	----	6-350	----	6-350
Neutral	----	1-300	----	1-300
Equip. Grnd.	12-8	12-2	12-8	12-2

TABLE K

Connector	Copper		Aluminum	
	Solid	Strand	Solid	Strand
Line	14-8	14-2	12-8	12-2
Load	14-10	14-10	----	----
Neutral End Hole	14-8	14-2	12-8	12-2
Neutral Side Hole	14-8	14-4	12-8	12-4
Equip. Grnd.	12-8	12-2	12-8	12-2

TABLE O

Connector	Copper		Aluminum	
	Solid	Strand	Solid	Strand
Line	14-8	14-2	12-8	12-2
Load	----	----	----	----
Neutral End Hole	14-8	14-2	12-8	12-2
Neutral Side Hole	14-8	14-4	12-8	12-4
Equip. Grnd.	12-8	12-2	12-8	12-2

TABLE U

Connector	Copper		Aluminum	
	Solid	Strand	Solid	Strand
Line	14-8	14-1/0	12-8	12-1/0
Load	14-10	14-10	----	----
Neutral Lrg Hole	12-8	12-1/0	10-8	10-1/0
Neutral Sm Hole	14-8	14-4	12-8	12-4
Equip. Grnd.	12-8	12-2	12-8	12-2

TABLE V

Connector	Copper		Aluminum	
	Solid	Strand	Solid	Strand
Line	14-8	14-1/0	12-8	12-1/0
Load	----	----	----	----
Neutral Lrg Hole	12-8	12-1/0	10-8	10-1/0
Neutral Sm Hole	14-8	14-4	12-8	12-4
Equip. Grnd.	12-8	12-2	12-8	12-2

TABLE X

Connector	Copper		Aluminum	
	Solid	Strand	Solid	Strand
Line	----	6-1/0	----	6-1/0
Load	14-10	14-10	----	----
Neutral	----	6-350	----	6-350
Neutral	----	1-300	----	1-300
Equip. Grnd.	12-8	12-2	12-8	12-2

Technical Data

MODEL NUMBER	REPLACEMENT PARTS		CABINET SIZE	ENCLOSURE STYLE page 65	CABINET DIMENSIONS			KNOCKOUT FIGURE page 65
	METER SOCKET	POST LUGS			HEIGHT	WIDTH	DEPTH	
					A	B	C	
M058C	MSM100930	—	9 X 30	B	30"	9-3/4"	5-3/16"	2
M058CB6	MSM100P9	LT100B350	9PT					See page 66
M132CB6	MSM100P9	LT100B350	9PT					See page 66
M132CP6	MSM100P9	LT100S250	9PT					See page 66
M358CP6	MSM100P9	LT100S250	9PT					See page 66
R058C	MSR100930	—	9 X 30	B	30"	9-3/4"	5-3/16"	2
R058CB6	MSR100P9	LT100B350	9PT					See page 66
R058CP6	MSR100P9	LT100S250	9PT					See page 66
U002C	—	—	9 X 17	A	17-3/8"	9-3/4"	5-3/16"	2
U004F	—	—	14 X 21	A	21-3/8"	14-3/4"	6-7/16"	3
U004CTL010	—	—	9 X 17	A	17-3/8"	9-3/4"	5-3/16"	2
U010	—	—	5 X 7	A	7-1/8"	5-3/4"	5-3/16"	4
U010010/U010010GRP	—	—	5 X 7	A	7-1/8"	5-3/4"	5-3/16"	4
U010C	—	—	6 X 9	A	9-1/8"	7-1/4"	5-3/16"	1
U010F	—	—	5 X 7	A	7-1/8"	5-3/4"	5-3/16"	4
U010H	—	—	5 X 7	A	7-1/8"	5-3/4"	5-3/16"	4
U010S010/U010S010GRP	—	—	5 X 7	A	7-1/8"	5-3/4"	5-3/16"	4
U011	—	—	5 X 7	A	7-1/8"	5-3/4"	5-3/16"	4
U011010	—	—	5 X 7	A	7-1/8"	5-3/4"	5-3/16"	4
U011F	—	—	6 X 9	A	9-1/8"	7-1/4"	5-3/16"	1
U012010	—	—	5 X 7	A	7-1/8"	5-3/4"	5-3/16"	4
U012010GRP	—	—	5 X 7	A	7-1/8"	5-3/4"	5-3/16"	4
U013	—	—	5 X 7	A	7-1/8"	5-3/4"	5-3/16"	4
U013C	—	—	6 X 9	A	9-1/8"	7-1/4"	5-3/16"	1
U013F	—	—	5 X 7	A	7-1/8"	5-3/4"	5-3/16"	4
U014C010	—	—	9 X 17	A	17"	9-1/2"	5-1/5"	2
U014CP6010	—	—	9PT					See page 66
U023	—	—	5 X 7	A	7-1/8"	5-3/4"	5-3/16"	4
U024S	—	—	5 X 7	A	7-1/8"	5-3/4"	5-3/16"	4
U025S	—	—	5 X 7	A	7-1/8"	5-3/4"	5-3/16"	4
U041/U041010	—	—	6 X 9	A	9-1/8"	7-1/4"	5-3/16"	1
U041C	—	—	6 X 14	A	14-3/8"	7-1/4"	5-3/16"	1
U041F	—	—	6 X 9	A	9-1/8"	7-1/4"	5-3/16"	1
U050	—	—	5 X 7	A	7-1/8"	5-3/4"	5-3/16"	4
U050C	—	—	6 X 14	A	14-3/8"	7-1/4"	5-3/16"	1
U051F	—	—	6 X 14	A	14-3/8"	7-1/4"	5-3/16"	1
U054	—	—	5 X 7	A	7-1/8"	5-3/4"	5-3/16"	4
U054F	—	—	6 X 14	A	14-3/8"	7-1/4"	5-3/16"	1
U055010	—	—	6 X 9	A	9-1/8"	7-1/4"	5-3/16"	1
U055F	—	—	6 X 14	A	14-3/8"	7-1/4"	5-3/16"	1
U058C	—	—	9 X 17	A	17-3/8"	9-1/4"	5-3/16"	2
U058CB6	—	LT100B250	9PT					See page 66
U058CP6	—	LT100S250	9PT					See page 66
U061C	—	—	6 X 14	A	14-3/8"	7-1/4"	5-3/16"	1

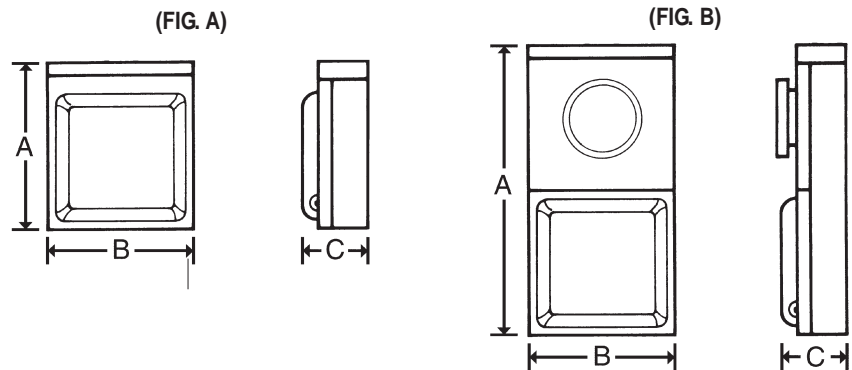
Temp Power / Power Outlets

Technical Data

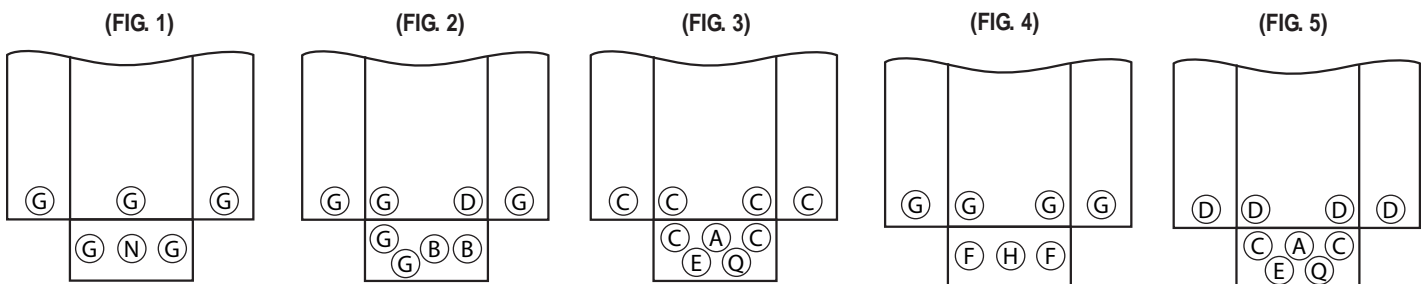
MODEL NUMBER	REPLACEMENT PARTS		CABINET SIZE	ENCLOSURE STYLE page 65	CABINET DIMENSIONS			KNOCKOUT FIGURE page 65
	METER SOCKET	POST LUGS			HEIGHT	WIDTH	DEPTH	
					A	B	C	
U061CB6	—	LT200B250	6PT		See page 66			
U061CP6	—	LT100S250	6PT		See page 66			
U061CTL	—	—	9 X 17	A	17-3/8"	9-3/4"	5-3/16"	2
U070C	—	—	9 X 17	A	17-3/8"	9-3/4"	5-3/16"	2
U075C	—	—	9 X 17	A	17-3/8"	9-3/4"	5-3/16"	2
U132CB6	—	LT100B250	6PT		See page 66			
U132CP6	—	LT100S250	6PT		See page 66			
U132CTL	—	—	9 X 17	A	17-3/8"	9-1/4"	5-3/16"	2
U154F	—	—	14 X 21	A	21-3/8"	14-1/4"	6-7/16"	3
U239G	—	—	14 X 21	A	21-3/8"	14-1/4"	6-7/16"	3
U361G	—	—	6 X 14	A	14-3/8"	7-1/4"	5-3/16"	1
U501	—	—	5 X 7	A	7-1/8"	5-3/4"	5-3/16"	4
U511C	—	—	6 X 14	A	14-3/8"	7-1/4"	5-3/16"	1
U511G	—	—	6 X 14	A	14-3/8"	7-1/4"	5-3/16"	1
U546	—	—	6 X 9	A	9-1/8"	7-1/4"	5-3/16"	1
U550F	—	—	6 X 14	A	14-3/8"	7-1/4"	5-3/16"	1
U614C	—	—	14 X 21	A	21-3/8"	14-3/4"	6-7/16"	3
U666C010	—	—	9 X 17	A	17-3/8"	9-3/4"	5-3/16"	2
U870G	—	—	9 X 17	A	17-3/8"	9-3/4"	5-3/16"	2
T1010GRP/T2010GRP	—	—	5 X 7	A	7-1/8"	5-3/4"	5-3/16"	4
T3010GRP/ T4010GRP	—	—	5 X 7	A	7-1/8"	5-3/4"	5-3/16"	4
T5010GRP	—	—	5 X 7	A	7-1/8"	5-3/4"	5-3/16"	4

Temp Power / Power Outlets

Enclosure Style & Cabinet Dimensions



Knockout Configurations



A= 1-1/2", 2", 2-1/2"
B= 1", 1-1/4", 1-1/2"

C= 1-1/4", 1-1/2", 2"
D= 3/4", 1", 1-1/4"

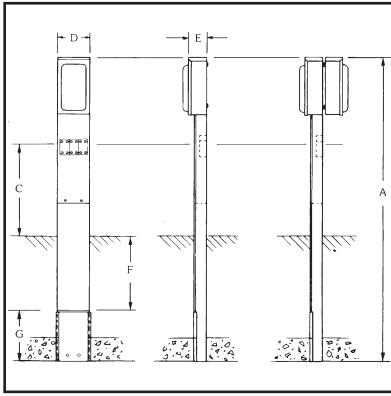
E= 3/4"
F= 1/2", 3/4"

G= 1/2", 3/4", 1"
H= 1/2", 3/4", 1", 1-1/4"

N= 1/2", 3/4", 1", 1-1/4", 1-1/2"
Q= 1"

Post Dimensions

6PT EARTH BURIAL

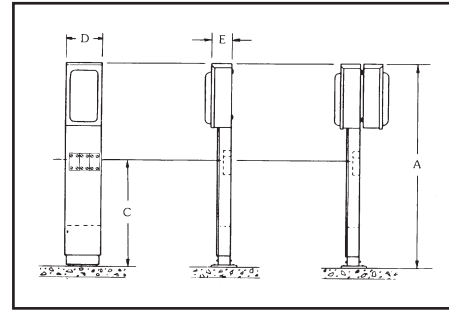


UNMETERED	
A	62"
C	19-3/4"
D	6-1/2"
E	3-1/4"
F	18"
G	6"

Single Head Post

Double Head Post
(Back-to-Back)

6PT PAD MOUNT



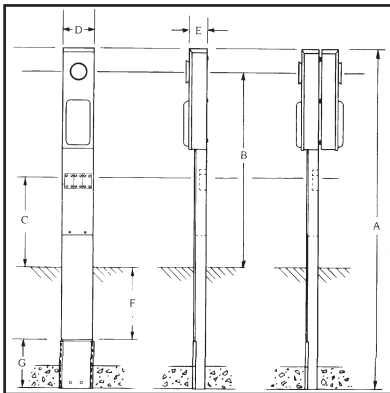
UNMETERED	
A	36"
C	17-3/4"
D	6-1/2"
E	3-3/4"

Single Head Post

Double Head Post
(Back-to-Back)

Temp Power / Power Outlets

9PT EARTH BURIAL



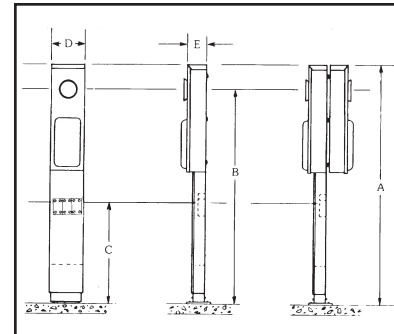
	UNMETERED	METERED
A	64-1/2"	77-1/2"
B	----	45-1/4"
C	19-1/8"	19-1/8"
D	9"	9"
E	3-1/4"*	3-1/4"*
F	18"	18"
G	6"	6"

* Some models available in 4-3/8".
Contact Distributor/Factory.

Single Head Post

Double Head Post
(Back-to-Back)

9PT PAD MOUNT



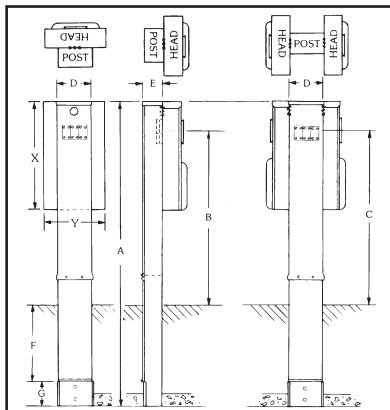
	UNMETERED	METERED
A	41-1/8"	53-1/2"
B	----	45-1/2"
C	19-3/4"	19-1/2"
D	9"	9"
E	3-1/4"*	3-1/4"*

* Some models available in 4-3/8".
Contact Distributor/Factory.

Single Head Post

Double Head Post
(Back-to-Back)

14PT EARTH BURIAL



	UNMETERED	METERED
A	86"	86"
B	----	50"
C	49-1/2"	49-1/2"
D	14"	14"
E	4-3/8"	4-3/8"
F	18"	18"
G	6"	6"

Single Head Post

Double Head Post
(Back-to-Back)

KEY

- A = Post Length
- B = Meter Center to Grade
- C = Terminal Bar to Grade
- D = Post Width
- E = Post Depth
- F = Grade to Wire Opening
- G = Wire Opening