

PROLINE™ GOLD SERIES COMPUTER WORKSTATION, TYPE 12



SPECIFICATIONS

- 14 gauge steel body
- 14 and 16 gauge steel doors and covers
- Seams continuously welded and ground smooth
- Seamless foam-in-place gasket on all doors and covers
- Smoke gray 0.25-in.-thick polycarbonate window on upper front door
- Quarter-turn latches on upper front door for 1400-mm high cabinets
- PROLINE latching system and keylocking swing door handles on upper front door for 1600- and 1800-mm high cabinets
- Solid lower front and full rear doors with keylocking swing door handles
- Internal rails facilitate mounting of PROLINE internal components
- Options include solid upper front door and solid front and rear covers with screw fasteners
- Full rear opening provides maximum mounting space and easy access to interior components
- Optional partial subpanel
- Hinges on bottom for 1400-mm enclosures
- Solid centerpost on front for 1200-mm enclosures

FINISH

Cabinet finish is RAL 7035 textured light-gray polyester powder paint. Keyboard door finish is RAL 9005 textured black polyester powder paint.

INDUSTRY STANDARDS

UL 508A Listed; Type 12; File Number E61997
cUL Listed per CSA C22.2 No 94; Type 12; File No. E61997

NEMA/EEMAC Type 12
IEC 60529, IP55

APPLICATION

The PROLINE™ Gold Series Computer Workstation is a full-featured, off-the-shelf solution for protecting PC computer systems. Made with sturdy unibody construction, the enclosure accommodates a complete range of accessories.

ACCESSORIES

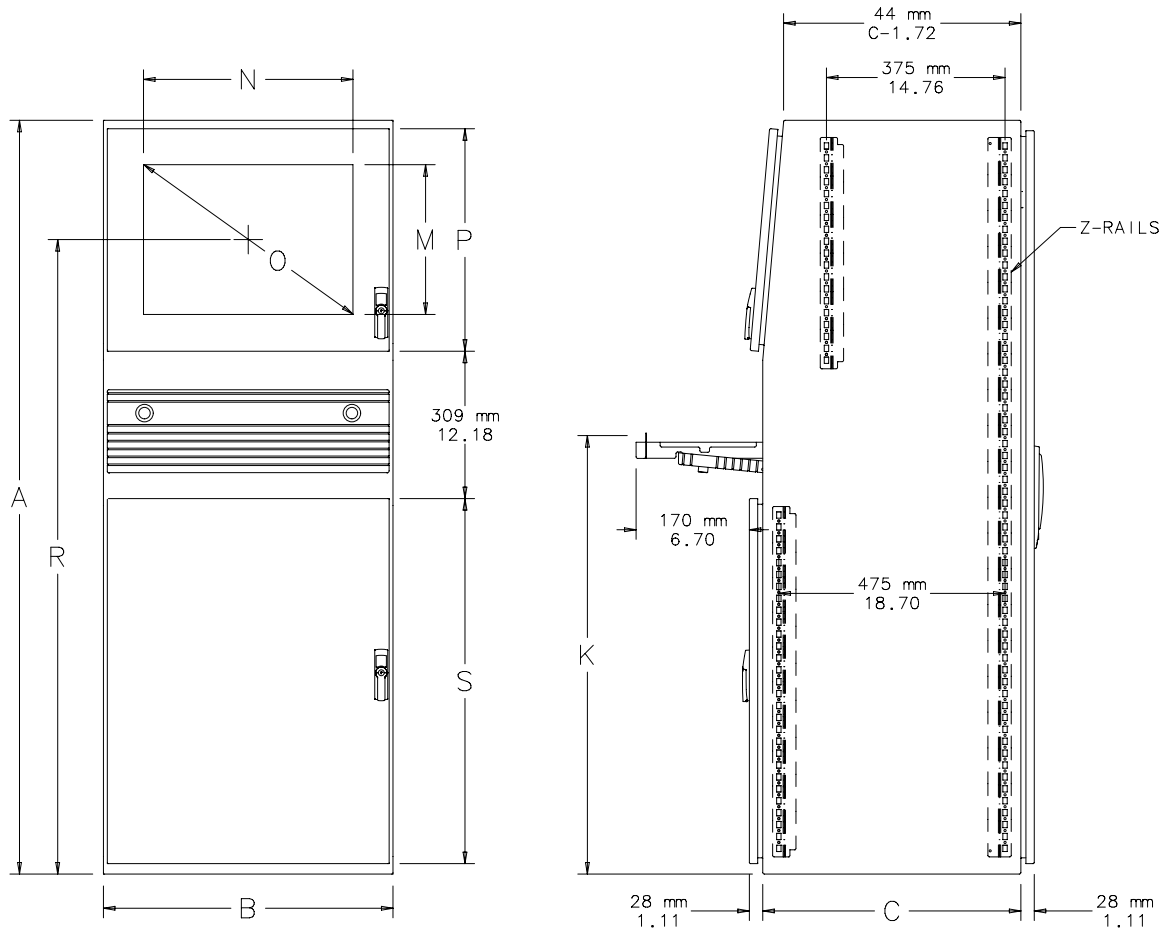
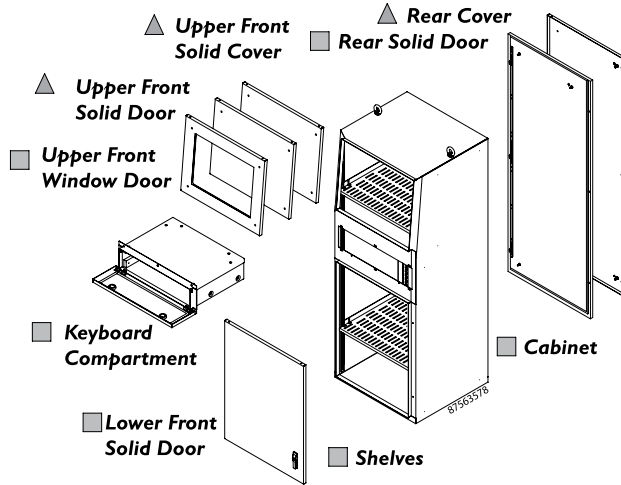
- See also *Accessories*.
- Caster Kit
 - Industrial Corrosion Inhibitors
 - Thermoplastic Data Pocket
 - Electric Heater
 - Compact Cooling Fans
 - Grid Straps
 - Flush Swing Handles
 - Key Inserts
 - 180-Degree Hinge Kit
 - Perforated Panels
 - 19-in. Rack Angles

BULLETIN: P10

Standard Product Computer Workstation, Type 12

Catalog Number	AxBxC mm/in.	Nominal Size Height	Nominal Size Width	Nominal Size Depth	K mm/in.	M mm/in.	N mm/in.	O mm/in.	P mm/in.	R mm/in.	S mm/in.	Top Door Opening Height mm/in.	Top Door Opening Width mm/in.	Bottom Door Opening Height mm/in.	Bottom Door Opening Width mm/in.	Rear Door Opening Height mm/in.	Rear Door Opening Width mm/in.
PGLD1466CWS	1526 x 608 x 542	1400	600	600	886	319	440	544	471	1288	759	406	536	709	536	1454	536
	60.08 x 23.94 x 21.34				34.88	12.56	17.32	21.42	18.54	50.71	29.88	16.00	21.10	27.91	21.10	57.25	21.10
PGLD1468CWS	1526 x 608 x 742	1400	600	800	886	319	440	544	471	1288	759	406	536	709	536	1454	536
	60.08 x 23.94 x 29.21				34.88	12.56	17.32	21.42	18.54	50.71	29.88	16.00	21.10	27.91	21.10	57.25	21.10
PGLD1486CWS	1526 x 808 x 542	1400	800	600	886	319	640	715	471	1288	759	406	736	709	736	1454	736
	60.08 x 31.81 x 21.34				34.88	12.56	25.20	28.15	18.54	50.71	29.88	16.00	28.98	27.91	28.98	57.25	28.98
PGLD1666CWS	1583 x 608 x 542	1600	600	600	916	316	440	542	468	1331	766	436	536	739	536	1511	536
	62.32 x 23.94 x 21.34				36.06	12.44	17.32	21.34	18.43	52.40	30.16	17.17	21.10	29.09	21.10	59.49	21.10
PGLD1668CWS	1583 x 608 x 742	1600	600	800	916	316	440	542	468	1331	766	436	536	739	536	1511	536
	62.32 x 23.94 x 29.21				36.06	12.44	17.32	21.34	18.43	52.40	30.16	17.17	21.10	29.09	21.10	59.49	21.10
PGLD1686CWS	1583 x 808 x 542	1600	800	600	916	316	640	714	468	1331	766	436	736	739	736	1511	736
	62.32 x 31.81 x 21.34				36.06	12.44	25.20	28.11	18.43	52.40	30.16	17.17	28.98	29.09	28.98	59.49	28.98
PGLD1866CWS	1785 x 608 x 552	1800	600	600	916	517	440	679	669	1431	766	637	536	739	536	1711	536
	70.19 x 23.94 x 21.74				36.06	20.35	17.32	26.73	26.34	56.34	30.16	25.08	21.10	29.09	21.10	67.36	21.10
PGLD1868CWS	1785 x 608 x 742	1800	600	800	916	517	440	679	669	1431	766	637	536	739	536	1711	536
	70.28 x 23.94 x 29.21				36.06	20.35	17.32	26.73	26.34	56.34	30.16	25.08	21.10	29.09	21.10	67.36	21.10
PGLD1886CWS	1785 x 809 x 542	1800	800	600	916	517	640	823	669	1431	766	637	736	739	736	1711	736
	70.28 x 31.81 x 21.34				36.06	20.35	25.20	32.40	26.34	56.34	30.16	25.08	28.98	29.09	28.98	67.36	29.98

- | ■ Standard Configuration | ▲ Optional Components |
|---------------------------|---------------------------|
| ■ Cabinet | ▲ Upper front solid door |
| ■ Keyboard compartment | ▲ Upper front solid cover |
| ■ Shelf (2) | ▲ Rear Cover |
| ■ Upper front window door | |
| ■ Lower front solid door | |
| ■ Rear solid door | |
| ■ Lifting eyes | |

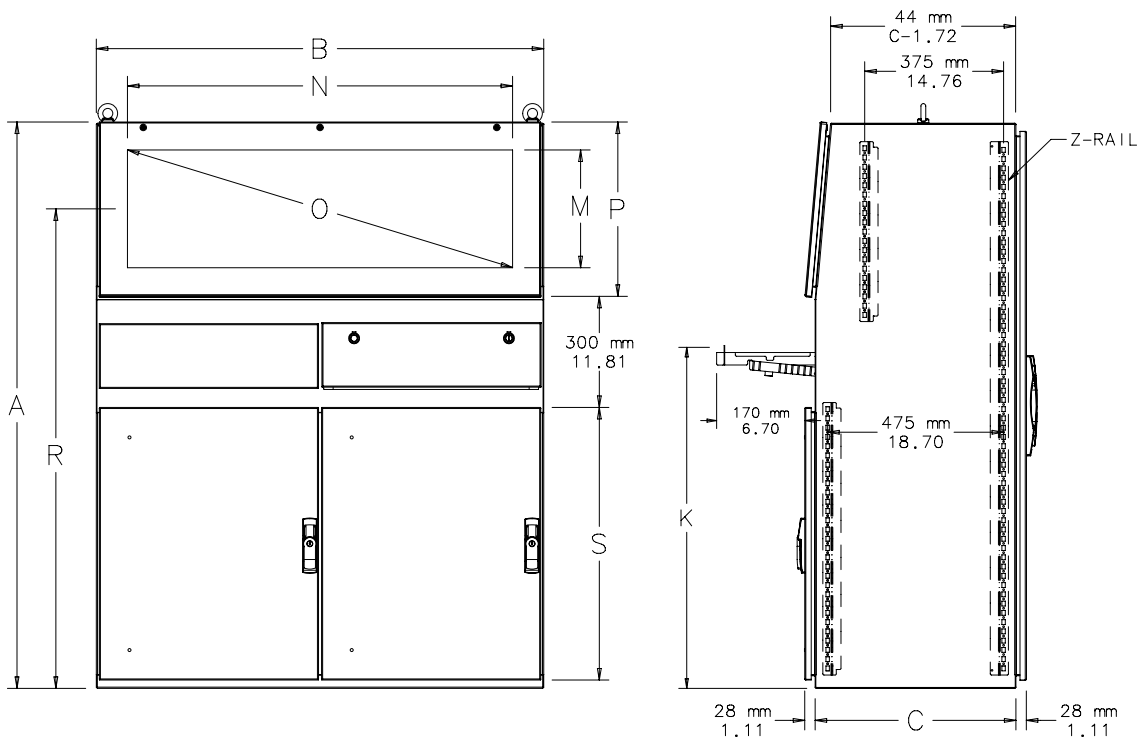
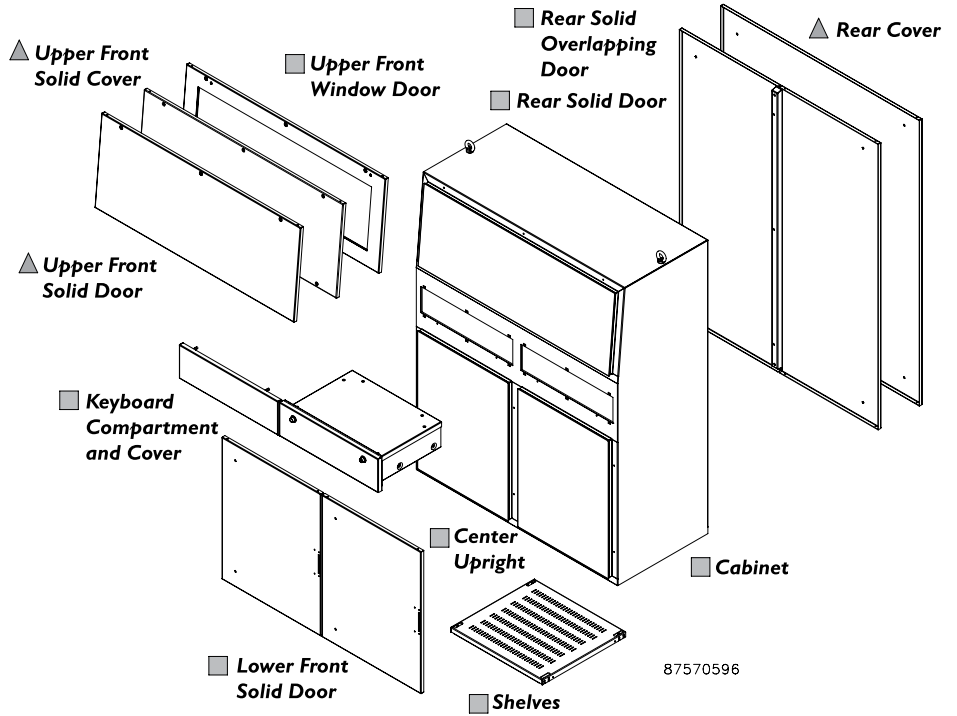


87563579

Standard Product 1200-mm Enclosure

Catalog Number	AxBxC mm/in.	Nominal Size Height	Nominal Size Width	Nominal Size Depth	K mm/in.	M mm/in.	N mm/in.	O mm/in.	P mm/in.	R mm/in.	S mm/in.	Top Door Opening Height mm/in.	Top Door Opening Width mm/in.	Bottom Door Opening Height mm/in.	Bottom Door Opening Width mm/in.	Rear Door Opening Height mm/in.	Rear Door Opening Width mm/in.
PGLD14126CWS	1526 x 1208 x 542 60.08 x 47.56 x 21.34	1400	1200	600	886 34.88	319 12.56	1040 40.94	1088 42.83	471 18.54	1288 50.71	759 29.88	406 16.00	1136 44.72	709 27.91	536 21.10	1454 57.25	1136 44.72

- **Standard Configuration**
 - Cabinet
 - Keyboard compartment
 - Keyboard compartment is on the right side and cover is on the left side
 - Shelf (4)
 - Upper front window door
 - Lower front solid door
 - Rear solid overlapping door
 - Center upright
 - Lifting eyes
- ▲ **Optional Components**
 - ▲ Upper front solid door
 - ▲ Upper front solid cover
 - ▲ Rear Cover

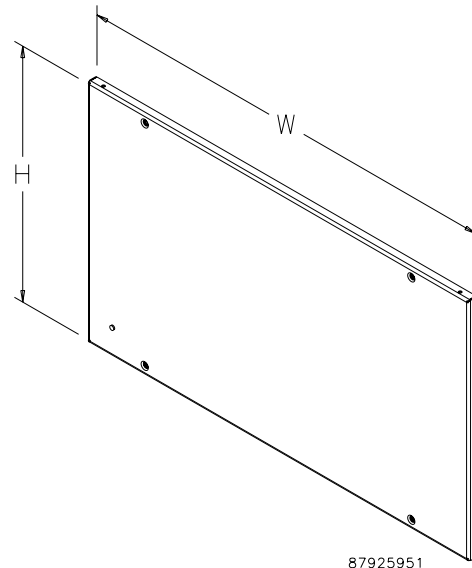


SOLID COVERS **A-T-O**

Covers are available for upper front and rear openings. Covers mount with screws provided. Material is 16 gauge steel (14 gauge for 800-mm widths) with RAL 7035 textured light-gray polyester powder paint finish.

BULLETIN: P10, P20

Catalog Number	Use on Opening	H (mm)	H (in.)	W (mm)	W (in.)	Fits Console A x B
PCS46CWS	Upper Front	471	18.54	592	23.31	1400 x 600
PCS48CWS	Upper Front	471	18.54	792	31.18	1400 x 800
PCS412GLD	Upper Front	471	18.54	1192	46.93	1400 x 1200
PCS56CWS	Upper Front	468	18.43	592	23.31	1600 x 600
PCS58CWS	Upper Front	468	18.43	792	31.18	1600 x 800
PCS66CWS	Upper Front	669	26.34	592	23.31	1800 x 600
PCS68CWS	Upper Front	669	26.34	792	31.18	1800 x 800
PCS146GLD	Rear	1482	58.35	592	23.31	1400 x 600
PCS1412GLD	Rear	1482	58.35	1196	47.10	1400 x 1200
PCS166	Rear	1539	60.59	592	23.31	1600 x 600
PCS168	Rear	1539	60.59	792	31.18	1600 x 800
PCS186	Rear	1739	68.46	592	23.31	1800 x 600
PCS188	Rear	1739	68.46	792	31.18	1800 x 800



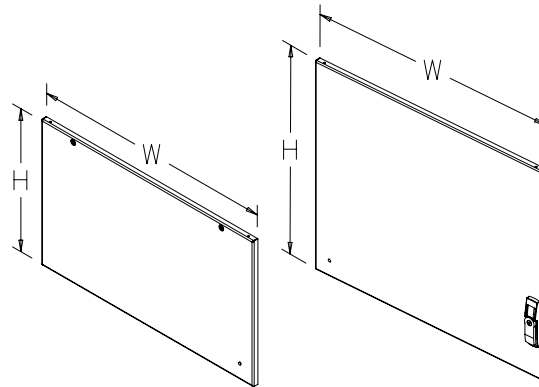
87925951

SOLID DOORS **A-T-O**

PROLINE-style upper front doors have 140-degree hidden hinges and locking swing handle. Material is 16 gauge steel (14 gauge for 800-mm widths) with RAL 7035 textured light-gray polyester powder paint finish.

BULLETIN: P10

Catalog Number	H x W (mm)	H x W (in.)	Fits Console A x B
PDS46GLD	471 x 592	18.54 x 23.30	1400 x 600
PDS48GLD	471 x 792	18.54 x 31.18	1400 x 800
PDS412GLD	471 x 1192	18.54 x 46.93	1400 x 1200
PDS56GLD	468 x 592	18.43 x 23.31	1600 x 600
PDS58GLD	468 x 792	18.43 x 31.18	1600 x 800
PDS66GLD	669 x 592	26.34 x 23.31	1800 x 600
PDS68GLD	669 x 792	26.34 x 31.18	1800 x 800



1400mm TALL 1600/1800mm TALL

87925950