

DOUBLE-BAY FRAMES



FEATURES

PROLINE offers the broadest range of standard sizes in the industry.

Standard Product

Catalog Number	AxBxC mm/in.	Nominal Frame Size A x B x C	Maximum Subpanel Size mm/in.	Maximum Rack Mounting Space
PF7126	700 x 1200 x 600 27.56 x 47.24 x 23.62	700 x 1200 x 600	585 x 1130 23.03 x 44.49	13U x 2
PF12125	1200 x 1200 x 500 47.24 x 47.24 x 19.69	1200 x 1200 x 500	1085 x 1130 42.72 x 44.49	23U x 2
PF14125	1400 x 1200 x 500 55.12 x 47.24 x 19.69	1400 x 1200 x 500	1285 x 1130 50.59 x 44.49	28U x 2
PF16125	1600 x 1200 x 500 62.99 x 47.24 x 19.69	1600 x 1200 x 500	1485 x 1130 58.46 x 44.49	33U x 2
PF16126	1600 x 1200 x 600 62.99 x 47.24 x 23.62	1600 x 1200 x 600	1485 x 1130 58.46 x 44.49	33U x 2
PF16128	1600 x 1200 x 800 62.99 x 47.24 x 31.50	1600 x 1200 x 800	1485 x 1130 58.46 x 44.49	33U x 2
PF18124	1800 x 1200 x 400 70.87 x 47.24 x 15.75	1800 x 1200 x 400	1685 x 1130 66.34 x 44.49	38U x 2
PF18125	1800 x 1200 x 500 70.87 x 47.24 x 19.69	1800 x 1200 x 500	1685 x 1130 66.34 x 44.49	38U x 2
PF18126	1800 x 1200 x 600 70.87 x 47.24 x 23.62	1800 x 1200 x 600	1685 x 1130 66.34 x 44.49	38U x 2
PF18128	1800 x 1200 x 800 70.87 x 47.24 x 31.50	1800 x 1200 x 800	1685 x 1130 66.34 x 44.49	38U x 2
PF18164	1800 x 1600 x 400 70.87 x 62.99 x 15.75	1800 x 1600 x 400	1685 x 1530 66.34 x 60.24	38U x 2
PF18165	1800 x 1600 x 500 70.87 x 62.99 x 19.69	1800 x 1600 x 500	1685 x 1530 66.34 x 60.24	38U x 2
PF18166	1800 x 1600 x 600 70.87 x 62.99 x 23.62	1800 x 1600 x 600	1685 x 1530 66.34 x 60.24	38U x 2
PF18168	1800 x 1600 x 800 70.87 x 62.99 x 31.50	1800 x 1600 x 800	1685 x 1530 66.34 x 60.24	38U x 2
PF18185	1800 x 1800 x 500 70.87 x 70.87 x 19.69	1800 x 1800 x 500	1685 x 1730 66.34 x 66.34	38U x 2
PF18186	1800 x 1800 x 600 70.87 x 70.87 x 23.62	1800 x 1800 x 600	1685 x 1730 66.34 x 66.34	38U x 2
PF20124	2000 x 1200 x 400 78.74 x 47.24 x 15.75	2000 x 1200 x 400	1885 x 1130 74.21 x 44.49	42U x 2
PF20125	2000 x 1200 x 500 78.74 x 47.24 x 19.69	2000 x 1200 x 500	1885 x 1130 74.21 x 44.49	42U x 2
PF20126	2000 x 1200 x 600 78.74 x 47.24 x 23.62	2000 x 1200 x 600	1885 x 1130 74.21 x 44.49	42U x 2
PF20128	2000 x 1200 x 800 78.74 x 47.24 x 31.50	2000 x 1200 x 800	1885 x 1130 74.21 x 44.49	42U x 2

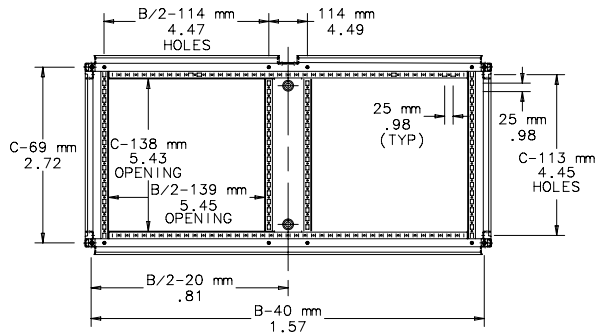
SPECIFICATIONS

- Welded back centerpost
- No front centerpost for easy component installation
- Center top and bottom frame sections for internal component mounting
- Optional center uprights available to support mounting options
- Welded corners with steel corner blocks that add strength and rigidity
- 12 gauge, roll-formed frame sections for strength
- Flange on door and side openings deflects liquids away from the enclosure interior
- Rectangular frame holes are designed for metric cage nut fasteners
- Round frame holes allow numerous grounding locations using M5 thread-forming screws
- Access to both sides of frame mounting holes allows standard components to be easily installed
- Provisions for slide-in subpanel, rack mounting and accessory mounting
- Simple means for joining frames to create multiple-bay enclosures
- An open roll-formed profile design affords complete surface corrosion protection and assembly access
- Sealed mounting for all external accessories
- Finished with RAL 7035 textured light-gray polyester powder paint

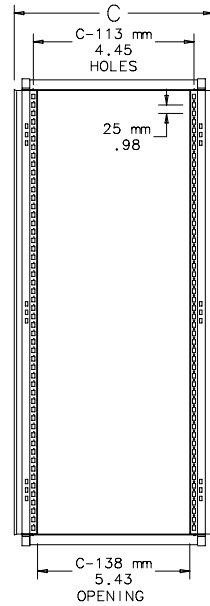
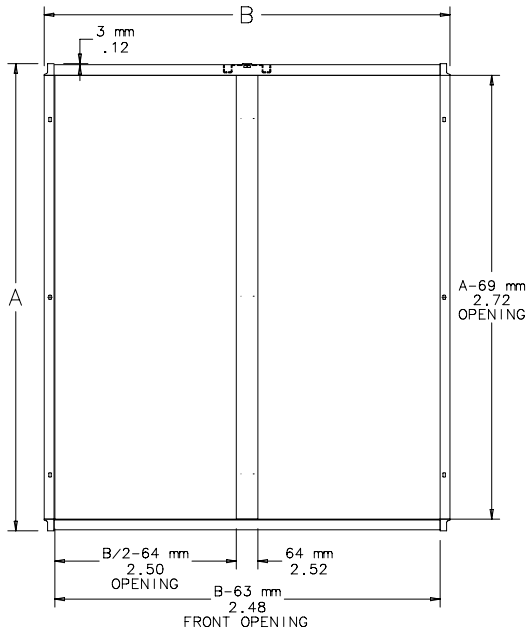
BULLETIN: P20

Catalog Number	AxBxC mm/in.	Nominal Frame Size A x B x C	Maximum Subpanel Size mm/in.	Maximum Rack Mounting Space
PF20165	2000 x 1600 x 500 78.74 x 62.99 x 19.69	2000 x 1600 x 500	1885 x 1530 74.21 x 60.24	42U x 2
PF20166	2000 x 1600 x 600 78.74 x 62.99 x 23.62	2000 x 1600 x 600	1885 x 1530 74.21 x 60.24	42U x 2
PF20168	2000 x 1600 x 800 78.74 x 62.99 x 31.50	2000 x 1600 x 800	1885 x 1530 74.21 x 60.24	42U x 2
PF20185	2000 x 1800 x 500 78.74 x 70.87 x 19.69	2000 x 1800 x 500	1885 x 1730 74.21 x 68.11	42U x 2
PF20186	2000 x 1800 x 600 78.74 x 70.87 x 23.62	2000 x 1800 x 600	1885 x 1730 74.21 x 68.11	42U x 2
PF20188	2000 x 1800 x 800 78.74 x 70.87 x 31.50	2000 x 1800 x 800	1885 x 1730 74.21 x 68.11	42U x 2
PF22125	2200 x 1200 x 500 86.61 x 47.24 x 19.69	2200 x 1200 x 500	2085 x 1130 82.09 x 44.49	47U x 2
PF22126	2200 x 1200 x 600 86.61 x 47.24 x 23.62	2200 x 1200 x 600	2085 x 1130 82.09 x 44.49	47U x 2
PF22128	2200 x 1200 x 800 86.61 x 47.24 x 31.50	2200 x 1200 x 800	2085 x 1130 82.09 x 44.49	47U x 2

1 rack unit = 1.75 in. (44 mm)



- NOTE:
1. Includes frame and frame nuts (12) to attach exterior components
 2. 700mm tall frames include frame nuts (8)



87414907