



CONTACTOR, AC-3 37 KW/400 V,  
AC 110 V 50 HZ/ 120 V 60 HZ, 3-POLE,  
SIZE S3, CAGE CLAMP

### General technical data:

<b>product brand name</b>		SIRIUS
<b>Size of the contactor</b>		S3
<b>Protection class IP / on the front</b>		IP20
<b>Degree of pollution</b>		3
<b>Installation altitude / at a height over sea level / maximum</b>	m	2,000
<b>Ambient temperature / during operating</b>	°C	-25 ... +60
<b>Mechanical operating cycles as operating time</b>		
<ul style="list-style-type: none"> <li>• of the contactor / typical</li> </ul>		10,000,000
<ul style="list-style-type: none"> <li>• of the contactor with added auxiliary switch block / typical</li> </ul>		10,000,000
<ul style="list-style-type: none"> <li>• of the contactor with added electronics-compatible auxiliary switch block / typical</li> </ul>		5,000,000

### Main circuit:

<b>Number of NC contacts / for main contacts</b>		0
<b>Number of NO contacts / for main contacts</b>		3
<b>Operating current</b>		
<ul style="list-style-type: none"> <li>• at AC-1 / at 400 V <ul style="list-style-type: none"> <li>• at 40 °C ambient temperature / rated value</li> </ul> </li> </ul>	A	120
<ul style="list-style-type: none"> <li>• at AC-3 / at 400 V / rated value</li> </ul>	A	80
<ul style="list-style-type: none"> <li>• at AC-4 / at 400 V / rated value</li> </ul>	A	66

• with 1 current path / at DC-1	A	100
• at 24 V / rated value	A	9
• at 110 V / rated value		
• with 2 current paths in series / at DC-1	A	100
• at 24 V / rated value	A	100
• at 110 V / rated value		
• with 3 current paths in series / at DC-1	A	100
• at 24 V / rated value	A	100
• at 110 V / rated value		
• with 1 current path / at DC-3 / at DC-5	A	40
• at 24 V / rated value	A	2.5
• at 110 V / rated value		
• with 2 current paths in series / at DC-3 / at DC-5	A	100
• at 24 V / rated value	A	100
• at 110 V / rated value		
• with 3 current paths in series / at DC-3 / at DC-5	A	100
• at 24 V / rated value	A	100
• at 110 V / rated value		
<b>Service power</b>		
• at AC-2 / at 400 V / rated value	kW	37
• at AC-3 / at 400 V / rated value	kW	37
• at AC-4 / at 400 V / rated value	W	37,000

#### Control circuit:

<b>Voltage type / of control feed voltage</b>		AC
<b>Operating range factor control supply voltage rated value / of the magnet coil</b>		
• at 50 Hz		
• for AC		0.8 ... 1.1
• at 60 Hz		
• for AC		0.8 ... 1.1
<b>Apparent pull-in power / of the solenoid / for AC</b>	V·A	300
<b>Apparent holding power / of the solenoid / for AC</b>	V·A	21
<b>Inductive power factor / with the pull-in power of the coil</b>		0.52
<b>Inductive power factor / with the pull-in power of the coil</b>		0.29

#### Auxiliary circuit:

<b>Contact reliability / of the auxiliary contacts</b>		1 faulty switching per 100 million (17 V, 1 mA)
<b>Number of NC contacts / for auxiliary contacts / instantaneous switching</b>		0
<b>Number of NO contacts / for auxiliary contacts / instantaneous switching</b>		0

## Short-circuit:

### Design of the fuse link

- for short-circuit protection of the auxiliary switch / required
- for short-circuit protection of the main circuit
  - with type of assignment 1 / required
  - at type of coordination 2 / required

fuse gL/gG: 10 A

fuse gL/gG: 250 A

fuse gL/gG: 160 A

## Installation/mounting/dimensions:

### Mounting type

screw and snap-on mounting onto 35 mm and 75 mm standard mounting rail

### series installation

Yes

### Width

mm

70

### Height

mm

146

### Depth

mm

139

### Distance, to be maintained, to earthed part / sideways

mm

6

## Connection type:

### Design of the electrical connection

- for main current circuit
- for auxiliary and control current circuit

screw-type terminals

Cage Clamp terminals

### Type of the connectable conductor cross-section

- for main contacts
  - solid
  - stranded
  - finely stranded
    - with conductor end processing
    - without conductor final cutting
- for AWG conductors / for main contacts
- for auxiliary contacts
  - solid
  - finely stranded
    - with conductor end processing
    - without conductor final cutting
- for AWG conductors / for auxiliary contacts

2x (2.5 ... 16 mm<sup>2</sup>)

2x (10 ... 50 mm<sup>2</sup>)

2x (2.5 ... 35 mm<sup>2</sup>)

2x (10 ... 35 mm<sup>2</sup>)

2x (10 ... 1/0)

2x (0.25 ... 2.5 mm<sup>2</sup>)

2x (0.25 ... 1.5 mm<sup>2</sup>)

2x (0.25 ... 2.5 mm<sup>2</sup>)

2x (24 ... 14)

## Certificates/approvals:

## General Product Approval

Functional Safety /  
Safety of  
Machinery



CCC



CSA



KETI



UL

[Type Examination](#)

Declaration of  
Conformity

Test Certificates



EG-Konf.

[Special Test  
Certificate](#)

## Shipping Approval



ABS



GL



LRS



RINA



RMRS

other

[Confirmation](#)

[other](#)

[Environmental  
Confirmations](#)

## Further information:

**Information- and Downloadcenter (Catalogs, Brochures,...)**

<http://www.siemens.com/industrial-controls/catalogs>

**Industry Mall (Online ordering system)**

<http://www.siemens.com/industrial-controls/mall>

**Cax online generator:**

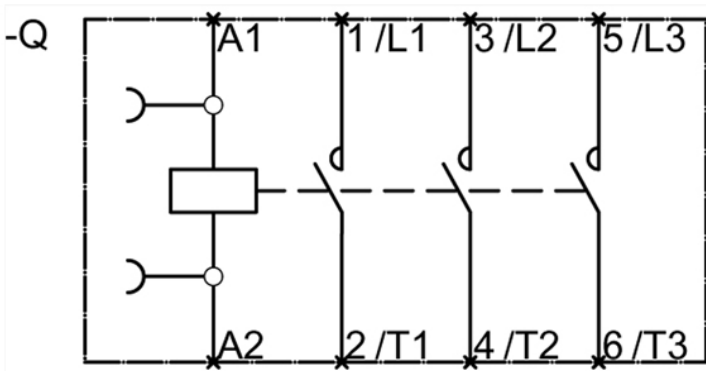
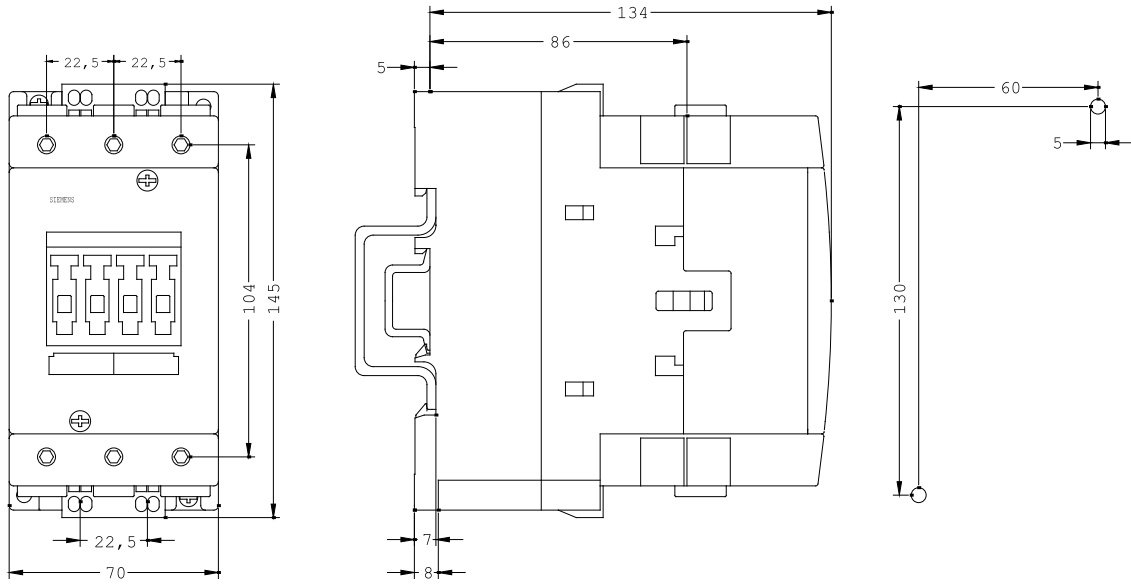
<http://www.siemens.com/cax>

**Service&Support (Manuals, Certificates, Characteristics, FAQs,...)**

<http://support.automation.siemens.com/WW/view/en/3RT1045-3AK60/all>

**Image database (product images, 2D dimension drawings, 3D models, device circuit diagrams, ...)**

[http://www.automation.siemens.com/bilddb/cax\\_en.aspx?mlfb=3RT1045-3AK60](http://www.automation.siemens.com/bilddb/cax_en.aspx?mlfb=3RT1045-3AK60)



last change:

Apr 30, 2014