



Wiremold

RFB 119 Series Floor Box INSTALLATION INSTRUCTIONS

Installation Instruction No.: 1 003 189R1 – Updated April 2011

Products Covered: Floor Box Cat. Nos.: RFB9, RFB11,
Floor Box Covers: RFB119CTC, RFB119BTC
Floor Box Device Plates: RFB119 (suffix)

Legrand/Wiremold electrical systems conform to and should be properly grounded in compliance with requirements of the current National Electrical Code or codes administered by local authorities.

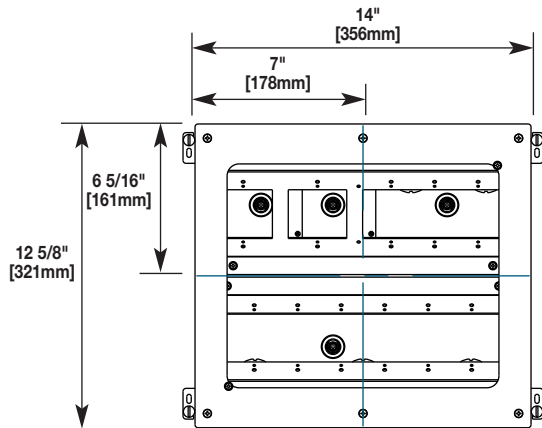
All electrical products may present a possible shock or fire hazard if improperly installed or used. Legrand/Wiremold electrical products may bear the mark of a Nationally Recognized Testing Laboratory (NRTL) and should be installed in conformance with current local and/or the National Electrical Code.

IMPORTANT: Please read all instructions before beginning.

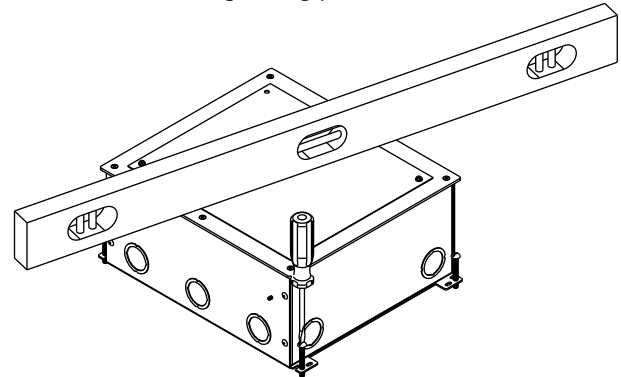
CAUTION: Do not operate tile stripper or resurfacing equipment over top of covers. This may result in damage to the surface finish of the product.

CAUTION: When used in bare concrete or terrazzo floors, use part number: RFB119-PAN (Sold separately).

Step 1 Locate and position box in accordance to floor plans or blueprint.

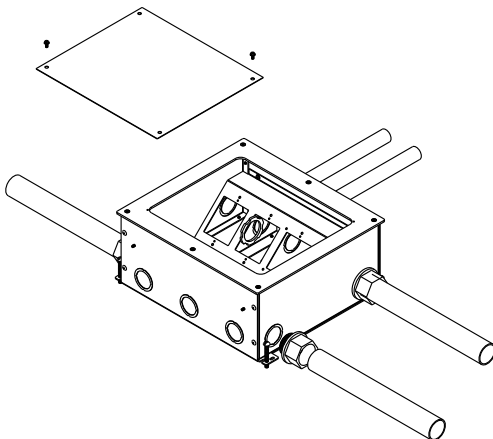


Step 2 Level & anchor box. Top of box must be flush with concrete pour. Use screws, nails, or wire to prevent box from floating during pour.

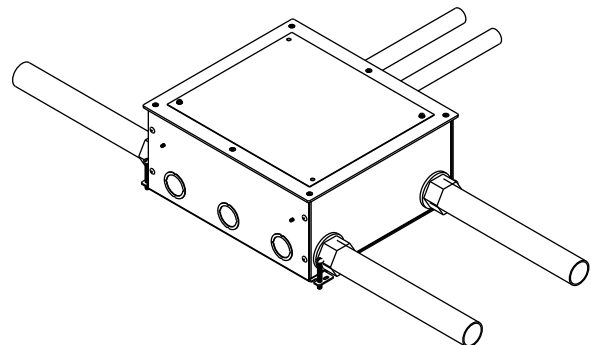


CAUTION: Box has no post pour adjustment.

Step 3 Remove mudcap and attach conduit.

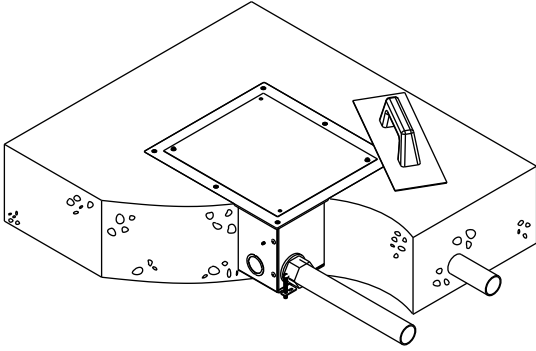


Step 4 Reinstall mudcap.



NOTE: For use in bare concrete or terrazzo floors, replace mudcap with part number: RFB119-PAN. (Sold separately.) (See Step 19.)

Step 5 Screed to top of box surface. Hand troweling recommended near box edges.

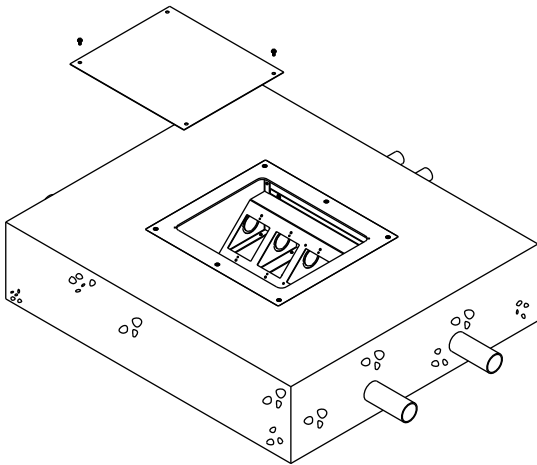


CAUTION: Do not dislodge or shift box with jobsite traffic or concrete vibrations.

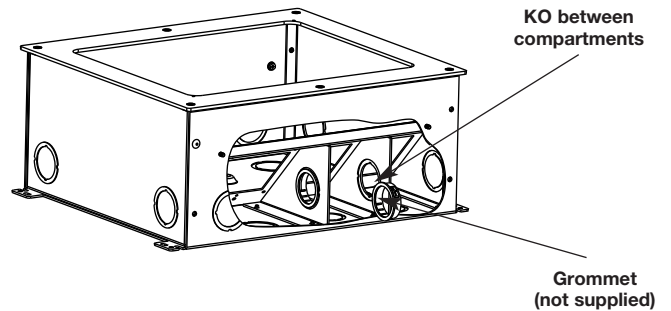
NOTE: If box is over-poured or the top plate is below the concrete surface, follow these steps:

1. Remove and retain mudcap and mudcap mounting screws. If mudcap is bent during removal, flatten within reason.
2. Install one or more 1/8" thick spacers, Cat No. RFB119-TS (available separately), until the top one is flush with the concrete surface. See Step 19 for illustration.
3. Replace mudcap on top of spacers and secure with mounting screws. Duct tape any cracks or seams where concrete may enter.
4. Pour concrete patch around the perimeter of the spacers and level with the concrete floor.
5. Complete installation following the remaining steps.

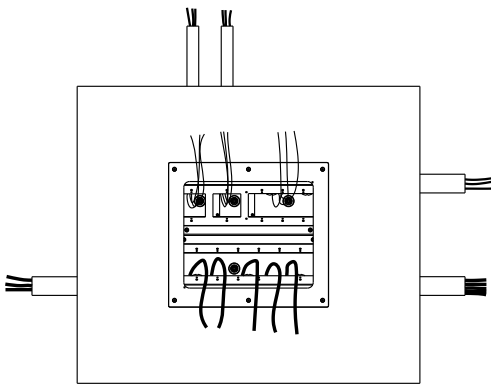
Step 6 Remove mudcap.



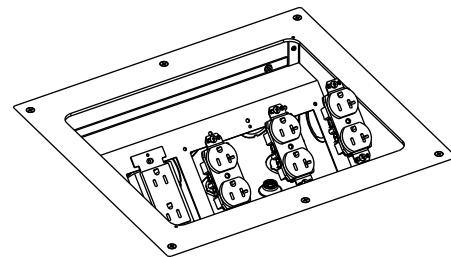
Step 7 If service access between adjacent compartments is required, remove KO between compartments and add grommet (not included).



Step 8 Locate and pull wires and cables.

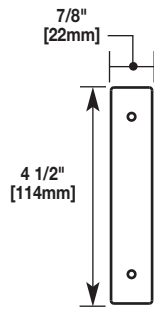


Step 9 Terminate and mount devices.



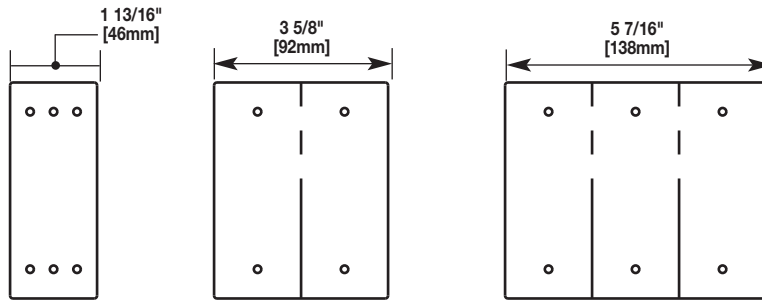
NOTE: Wire devices (not included) in accordance with National Electrical Code or any local code that applies. Make sure that any grounding conductors are connected to the grounding screws.

Step 10 Determine device plate selection based on sizes illustrated below.

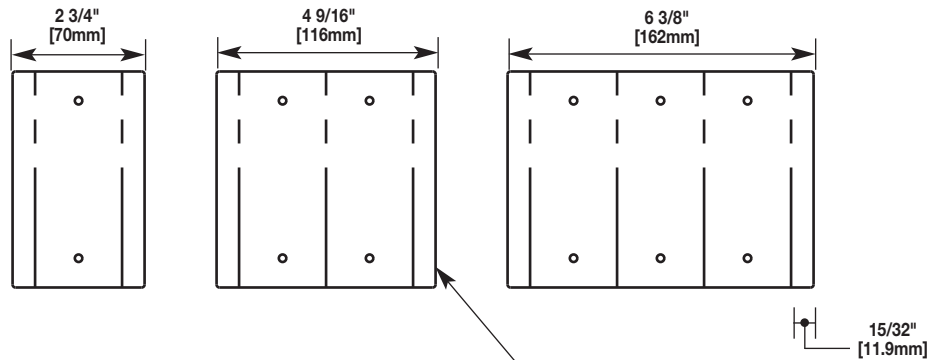


Spacer Plate
Cat No. RFB119-SPACER
Used to close off space adjacent to standard plates when used on multi-gang mounting brackets.

1, 2, and 3 Gang Sectional Plates



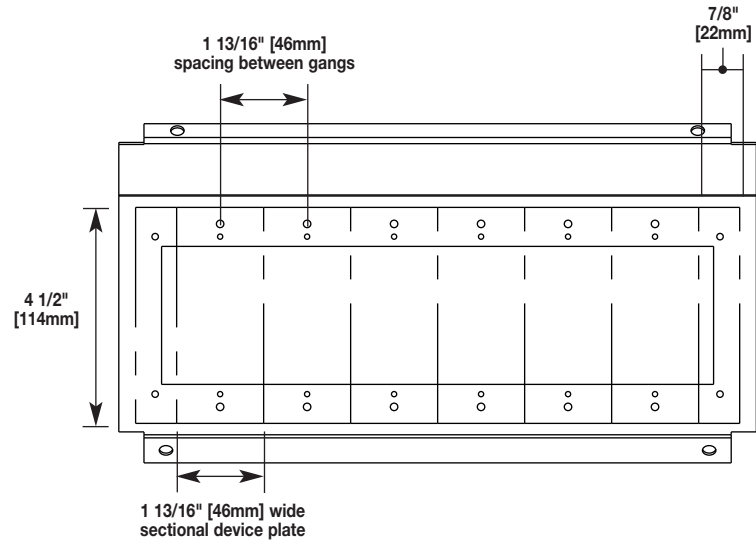
1, 2, and 3 Gang Standard Plates



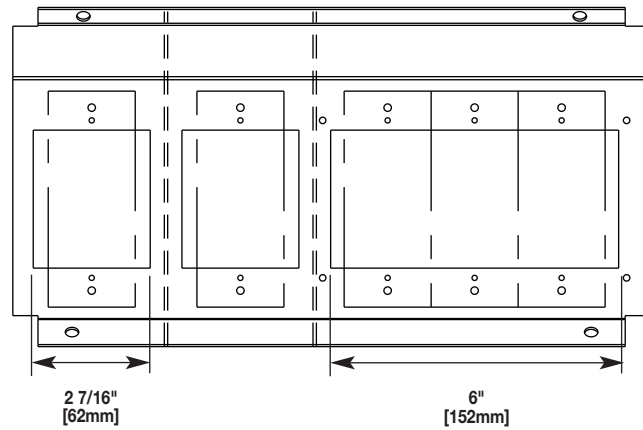
Step 11 Determine device plate required to close off wiring compartments. Sectional (1-13/16" [46mm] wide) or standard device plates may be used with multi-gang mounting plates.

NOTE: Standard width device plates extend into adjacent gangs, preventing the mounting of other device plates. Resulting gap should be closed with a spacer plate or single gang sectional plate.

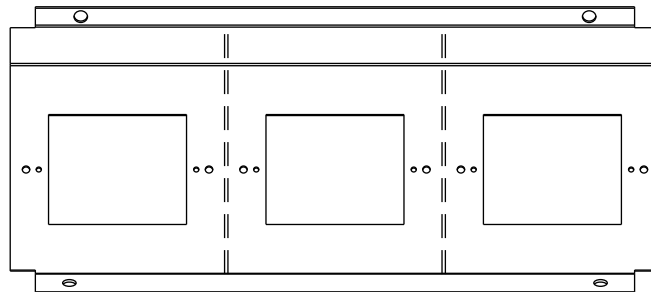
6-Gang Mounting Bracket



3-Gang & (2) Single Gangs (Vertical) Mounting Bracket (RFB11)

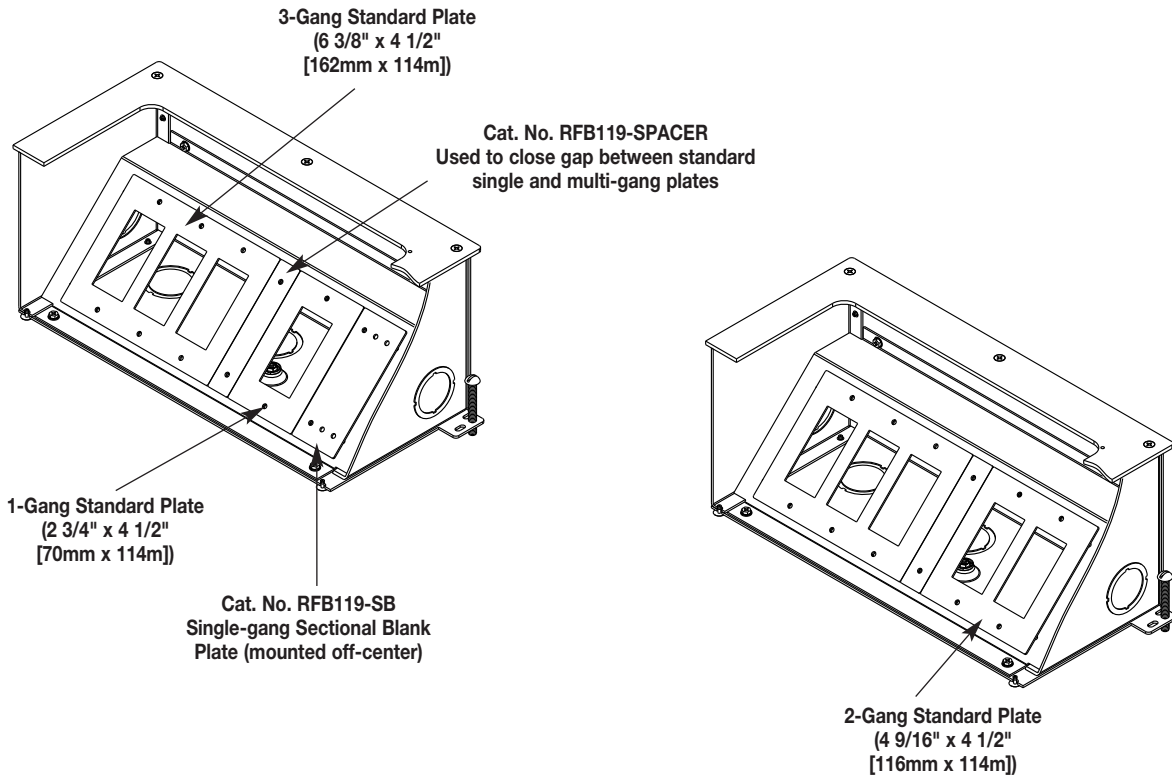


(3) Single Gangs (Horizontal) Mounting Bracket (RFB9)

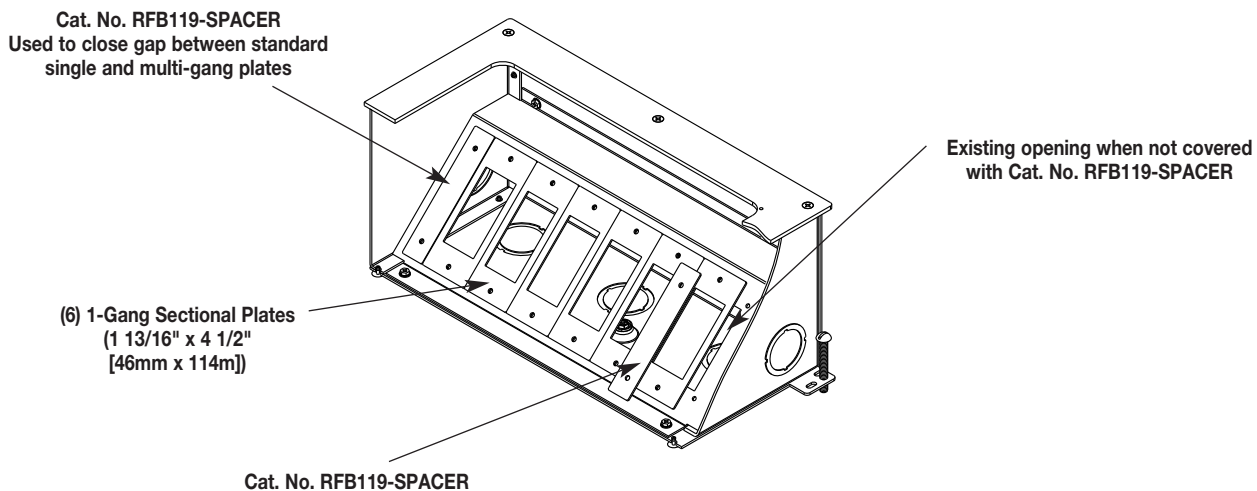


Step 12 Mount blanking plates and spacers between standard size plates to close off any gaps or openings. Typical layouts are illustrated below.

6-GANG MOUNTING BRACKETS USED WITH STANDARD DEVICE PLATES

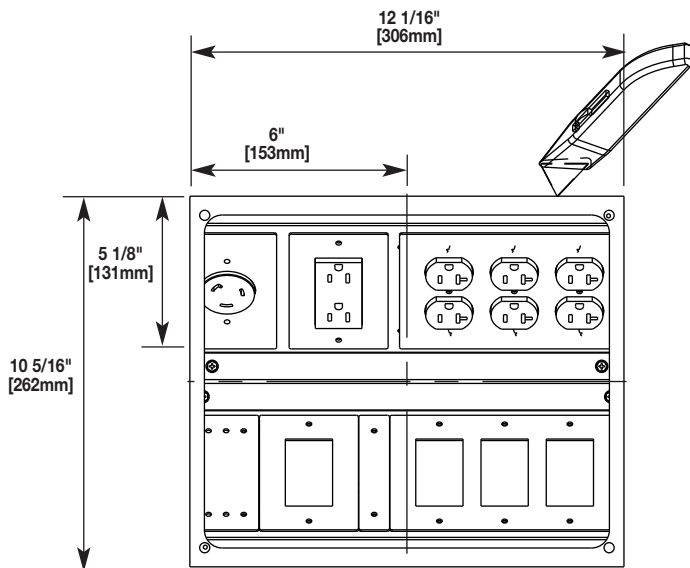


6-GANG MOUNTING BRACKETS USED WITH SECTIONAL DEVICE PLATES

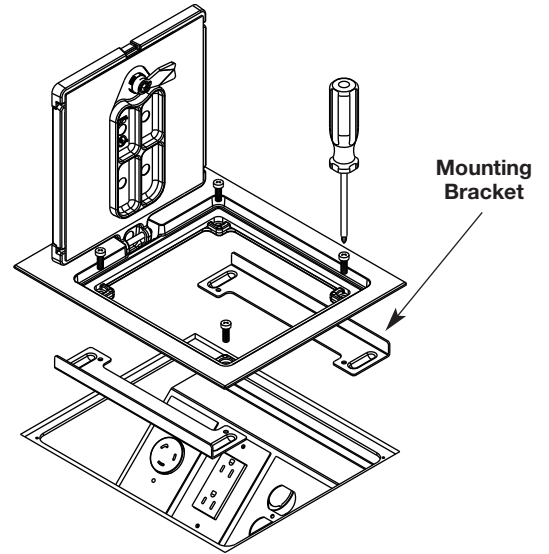


CARPET INSTALLATIONS

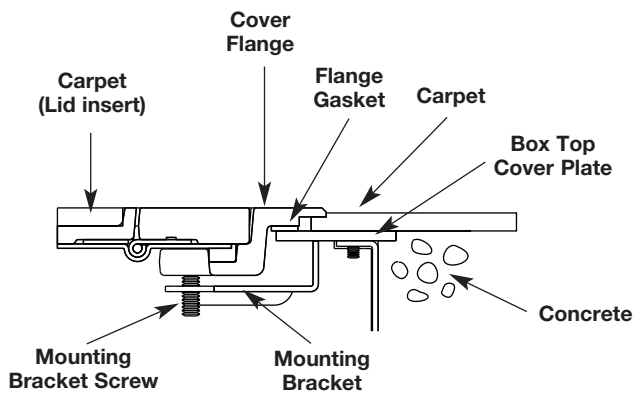
Step 13 Install carpet and cut 12 1/16" x 10 5/16" [262mm x 306mm] rectangular opening over box opening.



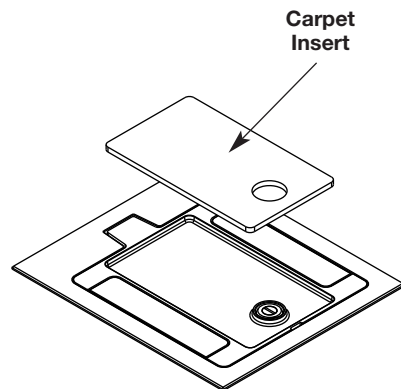
Step 14 Open cover lid and position in box opening. Position (2) mounting brackets under box opening as shown in Step 15 and secure lid to brackets.

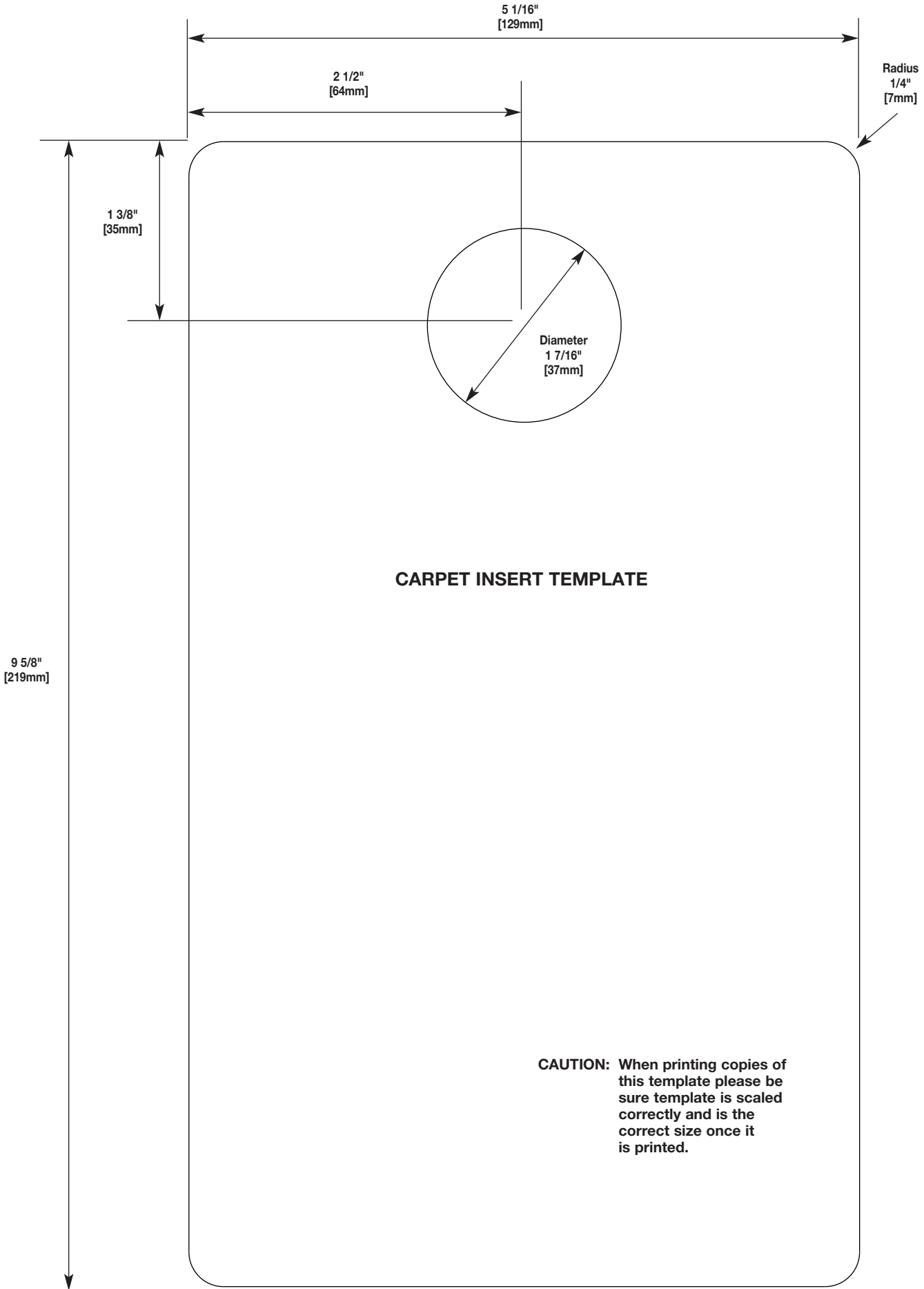


Step 15 Tighten mounting bracket screws securing flange into box top cover plate.



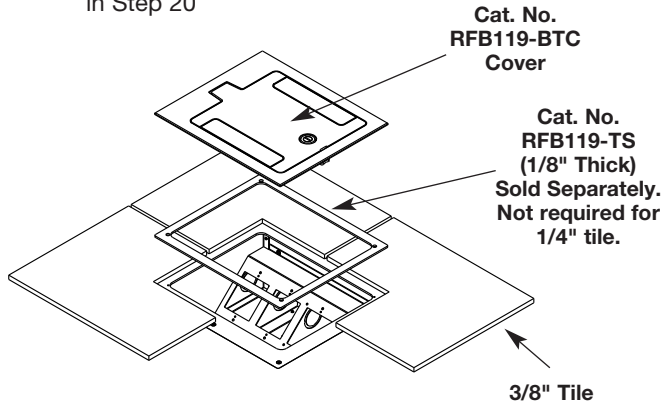
Step 16 Cut carpet insert and mount inside lid. Use enclosed template for dimensions.



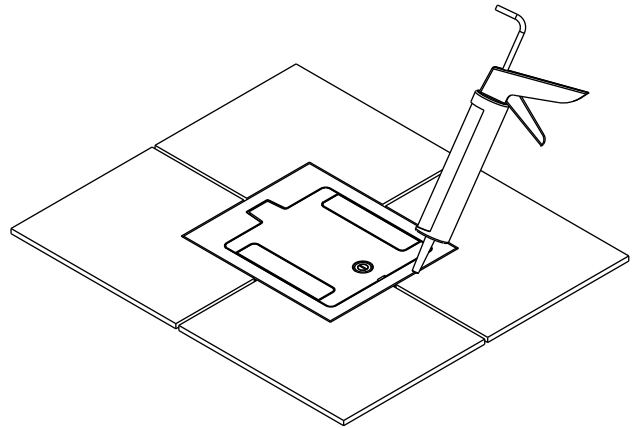


TILE INSTALLATIONS

Step 17 Cover flange is 1/4" thick. Use 1/8" spacer, Cat. No. RFB119-TS, for 3/8" tile installations. Use two spacers for 1/2" tile installations. Mount cover to box as shown in Steps 14 and 15. See illustration in Step 20

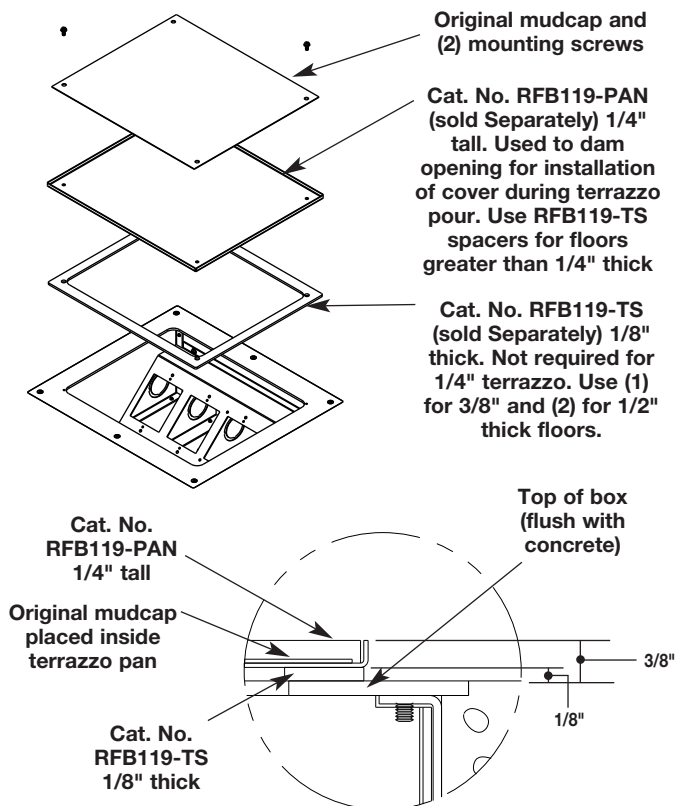


Step 18 Use grout and/or silicone caulk between edges of flange and tile.



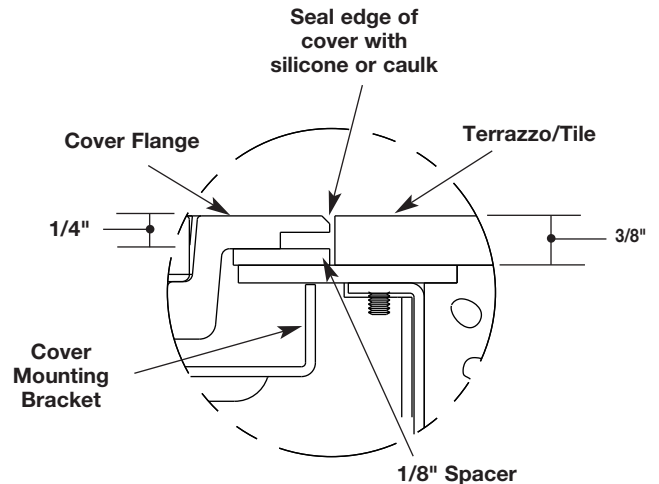
BARE CONCRETE & TERRAZZO INSTALLATIONS

Step 19 Install pan prior to pouring floor. Pan is 1/4" tall. Use in conjunction with spacers to obtain 3/8" and 1/2" heights.



Step 20 After concrete or terrazzo has cured, mount cover to box as shown in Steps 14 and 15. Apply sealing compound around perimeter of cover, as shown in Step 18.

DETAIL VIEW OF FINISHED INSTALLATION



NOTE: Remains in place during cover installation



Wiremold

WIREMOLD

U.S. and International:

60 Woodlawn Street • West Hartford, CT 06110
1-800-621-0049 • FAX 860-232-2062 • Outside U.S.: 860-233-6251

Canada:

570 Applewood Crescent • Vaughan, Ontario L4K 4B4
1-800-723-5175 • FAX 905-738-9721

