
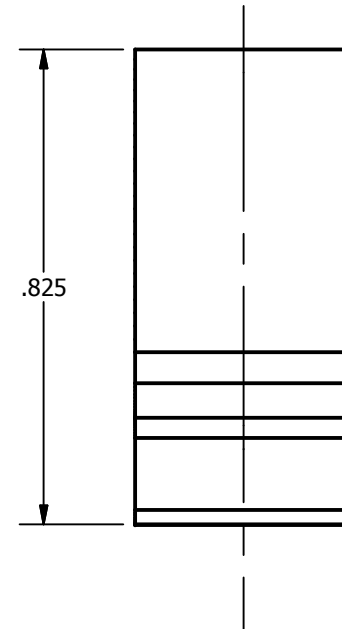
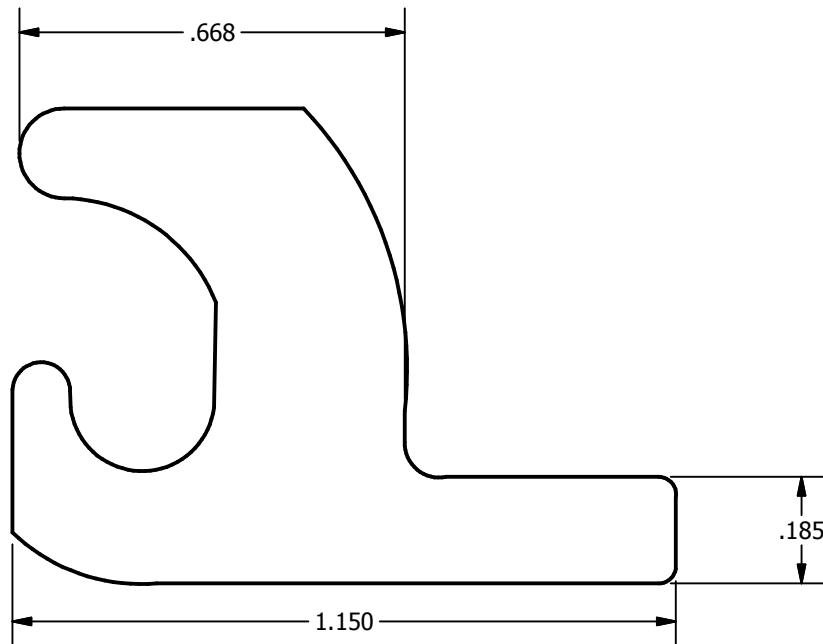
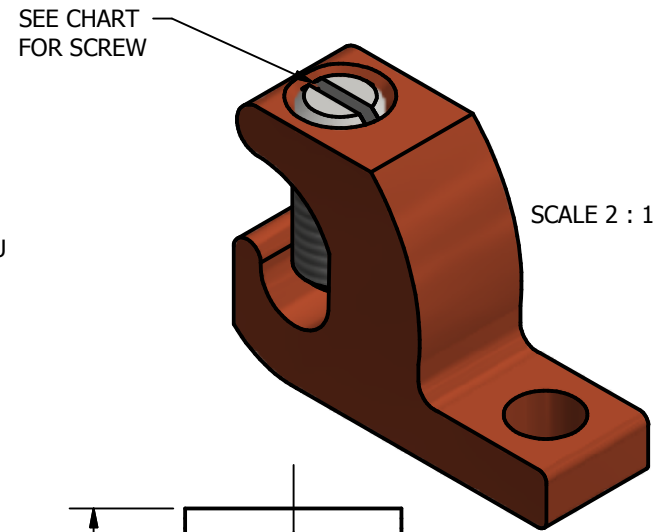
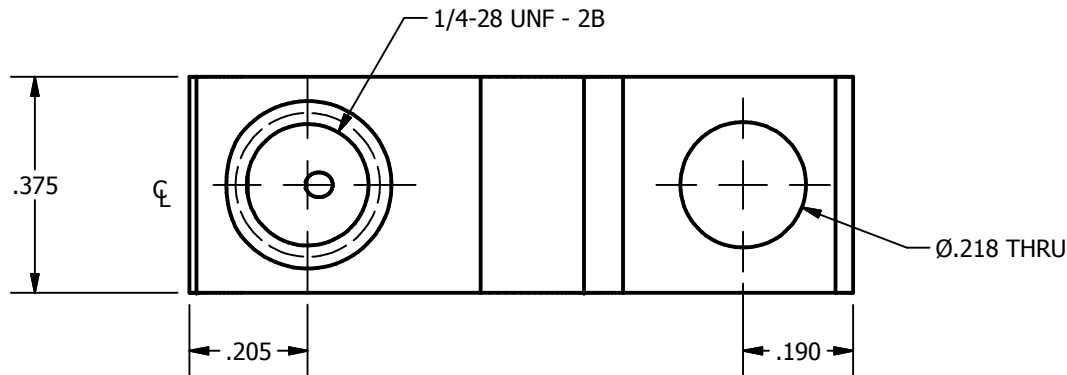


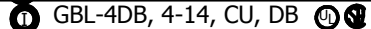

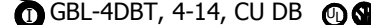






| | | | | |
|------------------------------|--------------------|-----------------|--|----------------------------|
| SCREW: SEE CHART | MATERIAL: COPPER | REV: AC |  | |
| CAT. NO.: SEE CHART | PLATING: SEE CHART | DRAWN BY: CLH | SCALE: 3:1 | 800-776-9775 www.ilsco.com |
| INFORMATION SHEET: SEE CHART | MARKING: SEE CHART | DATE: 7/27/2007 | SIZE: A | DWG. NO. G0977 |
| | | | | SHEET: 1 OF 1 |



| CAT # | PLATING | SCREW | FORM | SCREW ASSY | MARKING |
|-----------|------------|-----------|-------------------|----------------|--|
| GBL-4DBT | EL-TIN | E1276C00H | FORM12, FORM 195 | FLUSH TO TOP |  GBL-4DBT, 4-14, CU, DB   |
| GBL-4DB | BRIGHT DIP | E1276C00H | FORM 12 | FLUSH TO TOP |  GBL-4DB, 4-14, CU, DB   |
| GBL-4DBTH | EL-TIN | E1469C00H | FORM 12, FORM 195 | SNUG TO BOTTOM |  GBL-4DBT, 4-14, CU DB   |