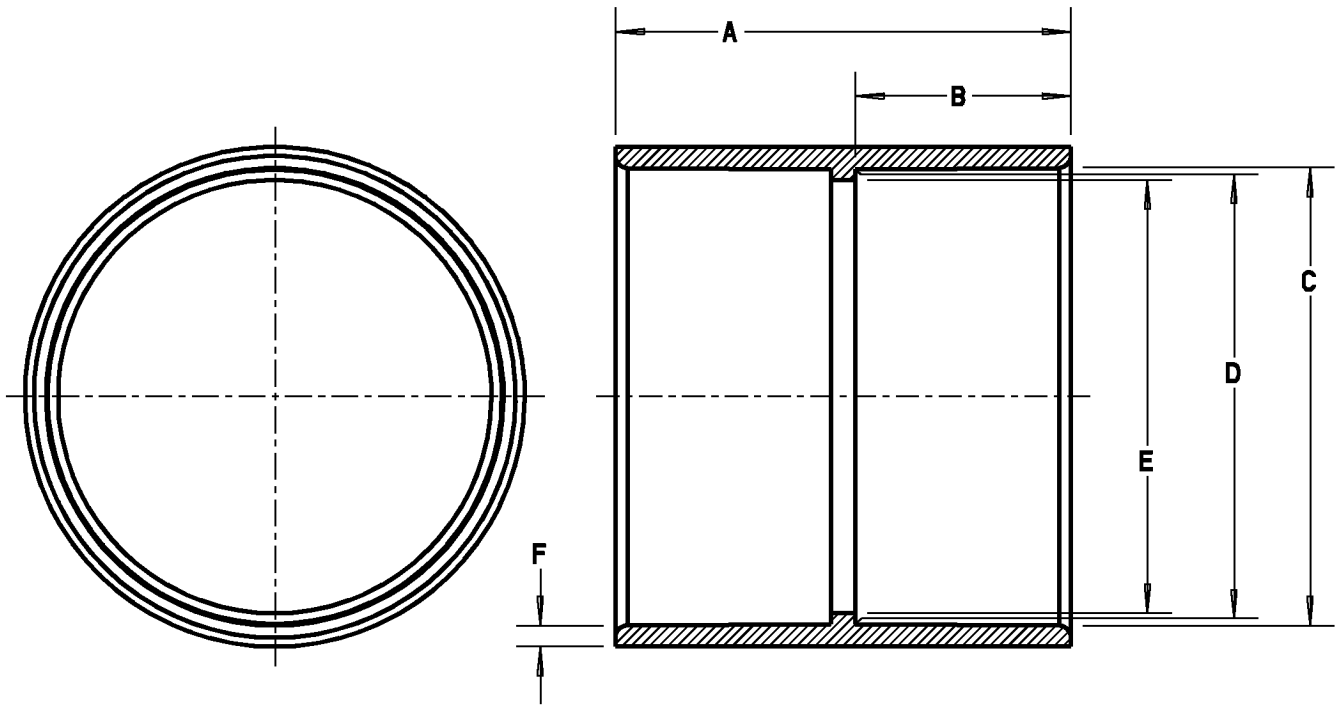


Carlton®



SIZE	PART NO	A	B	C	D	E	F
3"	E240L	3.38 [85,7]	1.63 [41,3]	3.52 [89,3]	3.50 [89,0]	3.35 [85,1]	.13 [3,2]
4"	E240N	3.69 [93,6]	1.78 [45,2]	4.52 [114,7]	4.49 [114,1]	4.31 [109,5]	.16 [4,1]
5"	E240P	4.09 [104,0]	1.97 [50,0]	5.59 [142,1]	5.55 [141,0]	5.36 [136,2]	.18 [4,6]

NOTES:

- MATERIAL: PVC

GENERAL NOTES

- ALL DIMENSIONS ARE FOR REFERENCE ONLY.
- DIMENSIONS IN BRACKETS [] ARE IN METRIC UNITS.

REVISIONS

*** SEE ERN (****) FOR APPROVAL SIGNATURES & RELEASE DATE.
PROJECT NO: ****

Thomas & Betts
www.tnb.com

DESCRIPTION:

P & C COUPLINGS

ORIGINAL PROJECT NO / (ERN NO)

/ ()

SHEET NO:

1 OF 1

REV. NO:

A

DRAWING NO:

WSD-AC04879