

## RSR Series 90° Aluminum Cord Grips

These Tuff-Seal 90° cord grips with external threads offer the same features as the standard RSR series aluminum grips previously described. They can be ordered with or without wire mesh attachments and accommodate conduit sizes from 3/8" to 2".



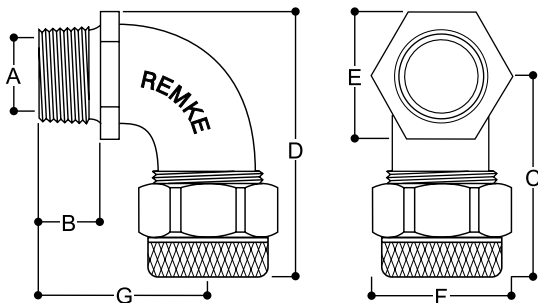
RSR 90° Cord Grips Dimension Table

Catalog Number	Conduit Size	A Body Bore	B	C	D	E Body Hex.	F Nut Dia.	G	Form Size
RSR-9000-W	3/8"	.45	.44	1.51	2.00	.98	.96	1.31	1
RSR-9100-W	1/2"	.45	.44	1.51	2.00	.98	.96	1.31	1
RSR-9100-W	1/2"	.58	.56	1.88	2.39	1.03	1.26	1.50	2
RSR-9200-W	3/4"	.76	.63	2.25	2.88	1.25	1.55	1.99	3
RSR-9300-W	1"	.99	.63	2.41	3.13	1.44	1.74	2.00	4
RSR-9400-W	1 1/4"	1.28	.69	3.19	4.41	2.13	2.47	2.69	5
RSR-9500-W	1 1/2"	1.40	.69	3.19	4.41	2.13	2.47	2.69	5
RSR-9600-W	2"	1.90	.81	4.03	5.56	2.81	2.97	3.19	6

\* See also notes on Dimension Table for RSR Straight Body.

Dimension E is across flats.

RSR-9400-W & RSR-9500-W Series have hex positioned per right view above, all the rest per left view below.



Conduit Size	Cable Range	Complete Assembly Catalog Numbers		
		Cord Grip Only	Cord Grip With Mesh	
3/8"	.125- .188	RSR-9003	—	
	.188- .250	RSR-9004	RSR-9004-E	
	.250- .312	RSR-9005	RSR-9005-E	
	.312- .375	RSR-9006	RSR-9006-E	
	.375- .438	RSR-9007	RSR-9007-E	
1/2"	.125- .188	RSR-91003	—	
	.188- .250	RSR-91004	RSR-91004-E	
	.250- .312	RSR-91005	RSR-91005-E	
	.312- .375	RSR-91006	RSR-91006-E	
	.375- .438	RSR-91007	RSR-91007-E	
1"	.125- .188	RSR-9103	—	
	.188- .250	RSR-9104	RSR-9104-E	
	.250- .312	RSR-9105	RSR-9105-E	
	.312- .375	RSR-9106	RSR-9106-E	
	.375- .438	RSR-9107	RSR-9107-E	
	.438- .500	RSR-9108	RSR-9108-E	
	.500- .562	RSR-9109	RSR-9109-E	
	.562- .625	RSR-9110	RSR-9110-E	
	3/4"	.438- .500	RSR-9208	RSR-9208-E
		.438- .562	RSR-9209	RSR-9209-E
.500- .625		RSR-9210	RSR-9210-E	
.562- .688		RSR-9211	RSR-9211-E	
.625- .750		RSR-9212	RSR-9212-E	
.688- .812		RSR-9213	RSR-9213-E	
1"		.438- .562	RSR-9309	RSR-9309-E
	.500- .625	RSR-9310	RSR-9310-E	
	.562- .688	RSR-9311	RSR-9311-E	
	.625- .750	RSR-9312	RSR-9312-E	
	.688- .812	RSR-9313	RSR-9313-E	
	.750- .875	RSR-9314	RSR-9314-E	
	.812- .938	RSR-9315	RSR-9315-E	
	.875- 1.000	RSR-9316	RSR-9316-E	
	1 1/4"	.562- .688	RSR-9411	—
		.688- .812	RSR-9413	—
.750- .875		RSR-9414	—	
.875- 1.000		RSR-9416	RSR-9416-E	
1.000- 1.125		RSR-9418	RSR-9418-E	
1.125- 1.250		RSR-9420	RSR-9420-E	
1.250- 1.375		RSR-9422	RSR-9422-E	
1 1/2"	.562- .688	RSR-9511	—	
	.688- .812	RSR-9513	—	
	.750- .875	RSR-9514	—	
	.875- 1.000	RSR-9516	RSR-9516-E	
	1.000- 1.125	RSR-9518	RSR-9518-E	
	1.125- 1.250	RSR-9520	RSR-9520-E	
1"	1.250- 1.375	RSR-9522	RSR-9522-E	
	1.438- 1.562	RSR-9525	RSR-9525-E	
	1.562- 1.688	RSR-9527	RSR-9527-E	
	1.688- 1.812	RSR-9529	RSR-9529-E	
2"	1.250- 1.375	RSR-9622	RSR-9622-E	
	1.438- 1.562	RSR-9625	RSR-9625-E	
	1.562- 1.688	RSR-9627	RSR-9627-E	
	1.688- 1.812	RSR-9629	RSR-9629-E	