

Conduit & Cable Supports

T&B Catalog Number:

SSF-CS1/2-F3/4

UPC Number:

78599120340

Status:

Active

Description:

Flange mount snap-in conduit clip, use with 1/2 in. conduit, 9/16 in. to 3/4 in. flanges.

Features

Available with Spring Steel Conduit clip bottom mounted or side mounted.

Available for 1/2 in. through 1 in. EMT and rigid conduit.

Fits beam flanges 1/8 in. through 3/4 in. thick.

Will pivot through 360 degrees

Requires only a hammer to install.

General

Material Steel

Static Load Limit (lb) 15

Dimension Information

Conduit Size (inches) 1/2

Flange Thickness (inches) 9/16 - 3/4

Competitor Cross Reference

Caddy Catalog Number 8P912SM

Packaging

T&B Order Multiple 25

T&B Inner Pack 25

Package in Units 225

T&B Sold in UOM Each

T&B Weight Per UOM 7.76 lbs. per 100

Application Support

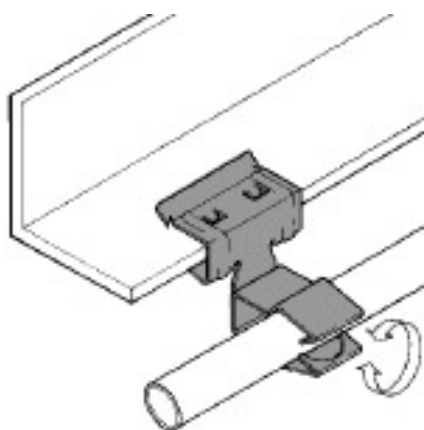
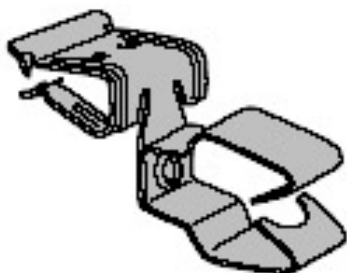
Technical Information Available on Website

Notes

Caddy® is a registered trademark of Erico International Corporation

Certifications

RoHS Compliance Yes



For further technical assistance, please contact us...

Thomas & Betts - USA
8155 T&B Blvd.
Memphis, TN 38125
www.tnb.com

T&B Technical Support
MS 3B-50
8155 T&B Blvd.
Memphis, TN 38125

Hours: 7AM - 6PM CDT
Monday-Friday
Phone: (888) 862-3289
Fax: (901) 252-1321
Email:techsupport@tnb.com