

R90MA



The economical R90 floodlight with a molded silicone external gasket to insure superior weatherproof seal. Polyester powder coating. PAR38 150 Watt max. Lamp not supplied.

Color: Bronze

Weight: 0.4 lbs

Project:

Type:

Prepared By:

Date:

Technical Specifications

Listings

UL Listing:

Suitable for wet locations.

Electrical

Sockets:

Porcelain with all copper current carrying components and spring loaded center contact.

Construction

Swivels:

Fully adjustable with sure-grip locknuts. 1/2" NPS threaded arm with locking swivel fits all standard mounting covers.

Housings:

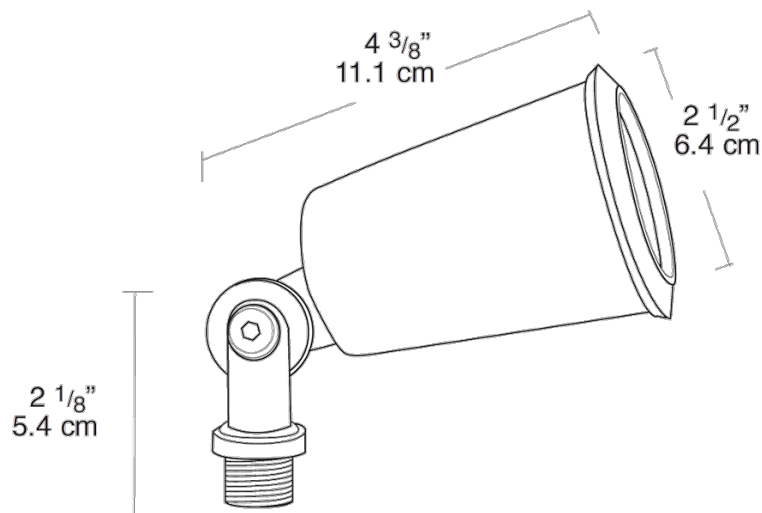
Precision die cast aluminum. Tuffy flood is molded plastic.

Optical

Lamp:

Medium base PAR38 lamps up to 150 watts. lamp not supplied.

Dimensions



Features

Molded, high temperature silicone gasket

EZ Grip locknut matches fixture finish and can be adjusted with fingers, pliers or a screwdriver

Rugged heavy sand die cast aluminum housing with durable powder coating

Sockets have all copper current carrying components

Fully adjustable swivel with sure-grip locks

Mounting arms have 1/2" threads