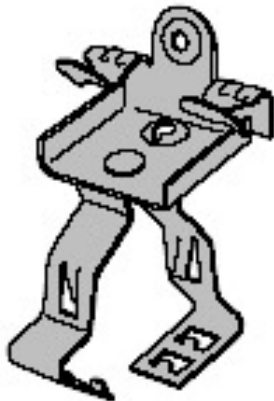


# Steel City<sup>®</sup>

## Conduit & Cable Supports T&B Catalog Number:



**UPC Number:**  
**Status:**  
**Description:**

SSF-CC1/2 3/4-H1/4  
78599120179  
Active

Flange mount conduit clip, for use with 1/2 in. - 3/4 in. conduit, 1/8 in. to 1/4 in. flanges.

### Features

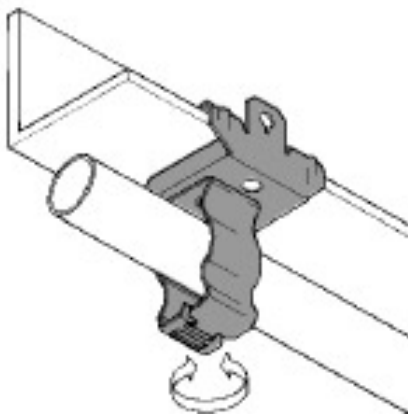
Available with Spring Steel Conduit clip bottom mounted or side mounted.

Available for 3/8 in. through 2 in. trade sizes for EMT, rigid, Flexible conduit and MC/AC cable.

Fits beam flanges 1/8 in. through 3/4 in. thick.

Will pivot through 360 degrees

Installs easily with a hammer and pliers.



### General

Material	Steel
Static Load Limit (lb)	75

### Dimension Information

Conduit Size (inches)	1/2 - 3/4
Flange Thickness (inches)	1/8 - 1/4

### Competitor Cross Reference

Caddy Catalog Number	812M24BP, 812M24, CM24812M
----------------------	----------------------------

### Packaging

T&B Order Multiple	25
T&B Inner Pack	25
Package in Units	225
T&B Sold in UOM	Each
T&B Weight Per UOM	9.22 lbs. per 100

### Application Support

Technical Information	Available on Website
-----------------------	----------------------

### Notes

Caddy<sup>®</sup> is a registered trademark of Erico International Corporation

### Certifications

RoHS Compliance	Yes
-----------------	-----

**For further technical assistance, please contact us...**

Thomas & Betts - USA  
8155 T&B Blvd.  
Memphis, TN 38125  
www.tnb.com

T&B Technical Support  
MS 3B-50  
8155 T&B Blvd.  
Memphis, TN 38125

Hours: 7AM - 6PM CDT  
Monday-Friday  
Phone: (888) 862-3289  
Fax: (901) 252-1321  
Email: techsupport@tnb.com