

Conduit Bodies and Covers

Mogul Conduit Outlet Bodies



Application

- Act as pull outlets for conductors that are stiff, due to large size or type of insulation
- Provide the longer openings needed when pulling large conductors
- Prevent sharp bends and kinks in large conductors (protects insulation during installation)
- Provide ample openings for splices and taps
- Provide access to wiring for maintenance and future system changes

Features

- Long openings
- Provision for easy bends
- Tapered tapped hubs with integral bushings
- Stainless Steel cover screws
- Covers and gaskets included

Standard Materials

Class 30 Gray iron alloy

Standard Finishes

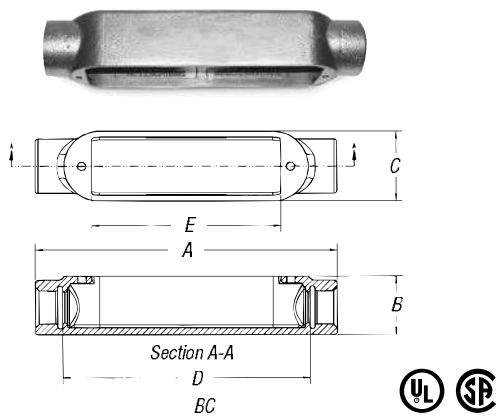
Electrogalvanized and aluminum acrylic paint

Listings/Compliances

UL Standard: 514B
 Fed. Spec.: W-C-586D
 CSA Standard: C22.2 No.18
 UL listed for wet locations

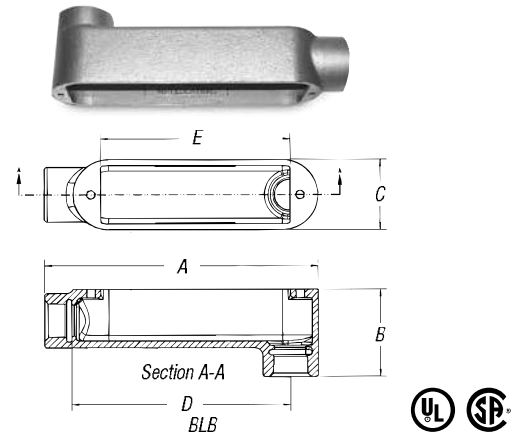
Note: See NEC® 370-28 (a) (1) and (2) for pull length and bending space requirements applicable to BC, BLB and BUB Series Moguls.

BC Mogul Series (Cover and Gasket Included)



CAT. NO.	HUB SIZE	DIMENSIONS (IN.)					CU. IN.
		A	B	C	D	E	
BC3-TB	1"	9.56	1.88	2.25	7.84	6	20.0
BC4-TB	1¼"	9.56	2.31	2.25	7.84	6	25.0
BC5-TB	1½"	13.75	2.56	3	11.45	10	60.0
BC6-TB	2"	13.75	3.31	3	11.45	10	78.0
BC7-TB	2½"	18.38	3.63	4.25	15.61	15	180.0
BC8-TB	3"	18.38	4.38	4.25	15.82	15	225.0
BC10-TB	4"	23.75	5.38	5.25	20.50	20	460.0

BLB Mogul Series (Cover and Gasket Included)



CAT. NO.	HUB SIZE	DIMENSIONS (IN.)					CU. IN.
		A	B	C	D	E	
BLB3-TB	1"	8.66	2.80	2.25	6.92	6	20.0
BLB4-TB	1¼"	8.66	2.70	2.25	6.70	6	25.0
BLB5-TB	1½"	12.58	2.56	3	10.36	10	62.0
BLB6-TB	2"	12.58	4.16	3	10.13	10	78.0
BLB7-TB	2½"	16.94	5.10	4.25	13.89	15	170.0
BLB8-TB	3"	16.94	5.81	4.25	13.59	15	210.0
BLB9-TB	3½"	22.16	6.50	5.25	18.32	20	410.0
BLB10-TB	4"	22.16	7.00	5.25	18.06	20	460.0