

CC2000, TYPE 12



INDUSTRY STANDARDS

UL 508A Listed; Type 12; File No. E61997
 cUL Listed per CSA C22.2 No. 94; Type 12; File No. E61997

NEMA/EEMAC Type 12
 IEC 60529, IP55
 DIN 40050

Standard Product

| Catalog Number | AxBxC mm/in. | Body Style | Usable Area D x E mm/in. | Depth F mm/in. | Cutout Size | Weight (lb.) |
|----------------|------------------------------------------|------------|--------------------------------|----------------------|----------------|-----------------|
| CC376129 | 375 x 615 x 290 14.76 x 24.21 x 11.42 | Solid | 300 x 540 11.81 x 21.26 | — | 60 | 32 |
| CC466129 | 465 x 615 x 290 18.46 x 24.21 x 11.42 | Solid | 390 x 540 15.35 x 21.26 | — | 60 | 35 |
| CC616129 | 615 x 615 x 290 24.21 x 24.21 x 11.42 | Solid | 540 x 540 21.26 x 21.26 | — | 60 | 39 |
| CC616151 | 615 x 615 x 518 24.21 x 24.21 x 21.57 | Solid | 540 x 540 21.26 x 21.26 | — | 80 | 72 |
| CC376518 | 375 x 465 x 180 14.76 x 18.46 x 7.09 | Hinged | 300 x 390 11.81 x 15.35 | 127 5.00 | 60 | 22 |
| CC466618 | 465 x 465 x 180 18.46 x 18.46 x 7.09 | Hinged | 390 x 390 15.35 x 15.35 | 127 5.00 | 60 | 24 |

Cutout is for flange coupling only. Other components can be used if they have the same hole size.

APPLICATION

CC2000 is the perfect solution for housing flat and touch screen HMI devices in applications where accessories are unnecessary, and simplicity and stylish attractiveness are important. This easy-to-use enclosure is ideal for housing simple devices that contain their own controls.

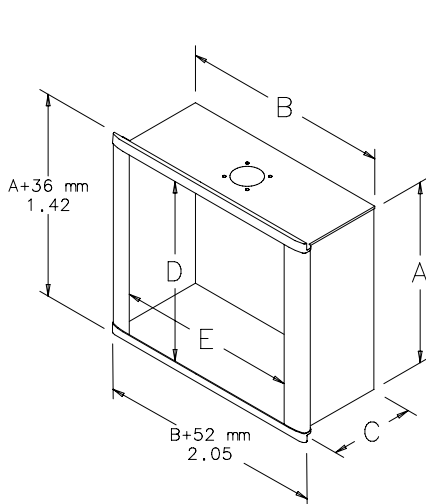
SPECIFICATIONS

- Extruded Type 6063 aluminum top and sides provide a quality appearance and internal flexibility
- Body is available hinged or solid
- Rear doors can be hinged on either the right or left side
- Integral mounting system has extruded screw channels to facilitate easy component installation
- Each size accommodates a range of flat screen HMI devices
- Oil-resistant gasket attached with oil-resistant adhesive
- High thermal conductivity for superior heat dissipation

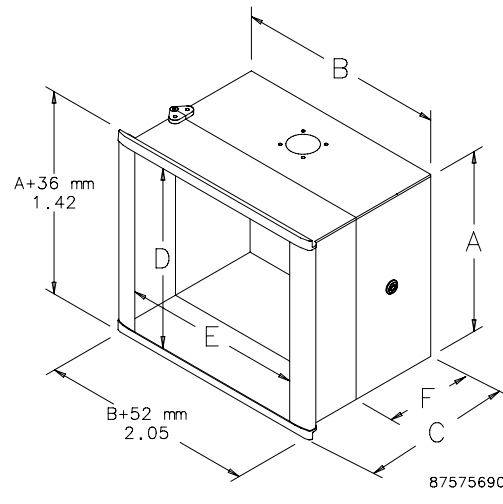
FINISH

Enclosure vertical components are clear anodized aluminum; horizontal components are painted RAL 7043 gray aluminum. Aluminum front plates and rear doors have a clear anodized brushed finish.

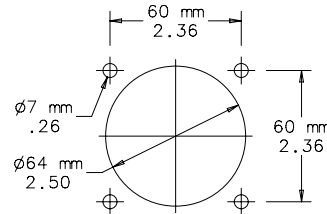
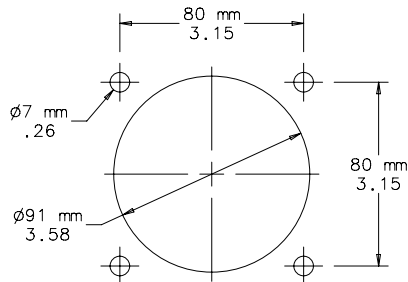
BULLETIN: CC2



Solid Enclosure

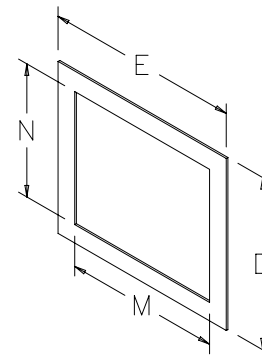


Hinged Enclosure



Pendant Cutout

FRONT PLATE



87746301

Front Plates are available in 14 gauge aluminum with clear anodized brushed finish.

Hoffman can provide pre-configured front plates to meet your specific requirements. Contact your local Hoffman Sales Representative for more information.

BULLETIN: CC2

| Catalog Number | Plate Size D x E mm/in. | M x N mm/in. | Fits Enclosure mm/in. | Weight (lb.) |
|----------------|-------------------------------|----------------------------|----------------------------------------------------|--------------|
| C2FP3155 | 314 x 554 12.36 x 21.81 | 540 x 300 21.26 x 11.81 | 375 x 615 x 290 14.76 x 24.21 x 11.42 | 3.0 |
| C2FP4055 | 404 x 554 15.90 x 21.81 | 540 x 390 21.26 x 15.35 | 465 x 615 x 290 18.46 x 24.21 x 11.42 | 3.8 |
| C2FP5555 | 554 x 554 21.81 x 21.81 | 540 x 540 21.26 x 21.26 | 615 x 615 x 518/290 24.21 x 24.21 x 21.57/11.42 | 5.4 |
| C2FP3140 | 314 x 404 12.36 x 15.90 | 390 x 300 15.35 x 11.81 | 375 x 465 x 180 14.76 x 18.46 x 7.09 | 2.2 |
| C2FP4040 | 404 x 404 15.90 x 15.90 | 390 x 390 15.35 x 15.35 | 465 x 465 x 180 18.46 x 18.46 x 7.09 | 2.8 |