



A Pentair Company

CC2000

Front Plate

Vordere Platte

Plat Avant

Placa Delantera

Hoffman Enclosures Inc.

2100 Hoffman Way
Anoka, MN 55303-1745
(763) 422-2211
www.hoffmanonline.com

Pentair Electronic Packaging

170 Commerce Drive
Warwick, RI 02886
(401) 732-3770
www.pentair-ep.com

Mexico

Pentair Enclosures, S. de R.L. de C.V.
Federico T. de la Chica No. 8 Piso 4 A
Circulo Comercial Plaza Satélite
Ciudad Satélite,
Naucalpan, México C.P. 53100
011-52-55-5393-8263

Canada

Hoffman-Schroff
111 Grangeway Avenue, Suite 504
Scarborough, Ontario M1H 3E9
(416) 289-2770
1-800-668-2500 (Canada only)

Germany

Schroff GmbH
Langenalber Str. 96-100
75334 Straubenhardt
49 (07082) 794-0 www.schroff.de

Great Britain

Schroff UK Ltd.
Maylands Avenue
Hemel Hempstead, Herts HP2 7DE
44 (01442) 240471 www.schroff.co.uk

Sweden

Schroff Scandinavia AB
Box 2003
12821 Skarpnäck
46 08683 61 00 www.schroff.se

France

Schroff Sas
Z.I., 4 rue du Marais
67660 Betschdorf
33 03 88 90 64 90 www.schroff.fr

Italy

Schroff srl
Viale Milano, 119
21013 Gallarate (Varese)
39 0331 79 40 03

Singapore

Hoffman-Schroff Pte. Ltd.
#01-68/71 German Centre
25 International Business Park
Singapore 609916
65 5 62-78 90

Japan

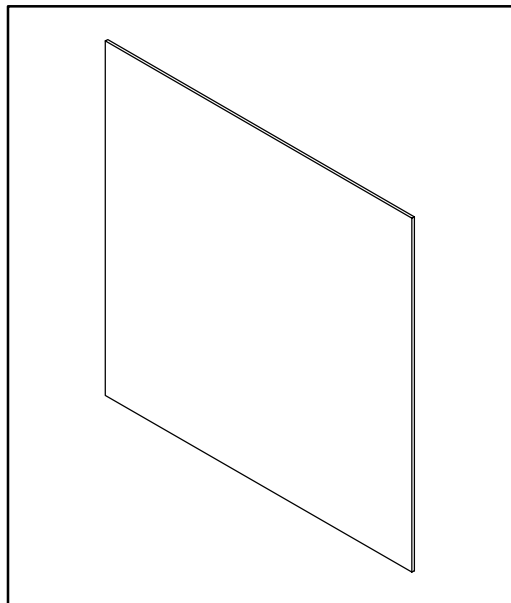
Schroff K.K.
Nisso No. 13 Bldg. 4F
2-5-1 Shinyokohama
Kohoku-Ku, Yokohama shi
Kanagawa 222-0033
81 (045) 476-02 81

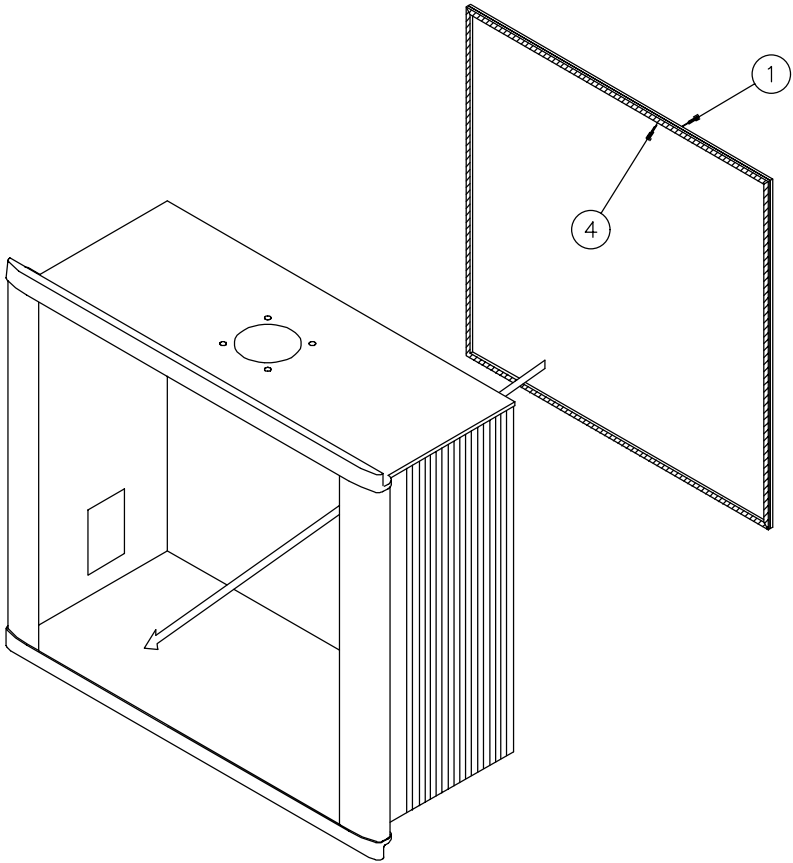
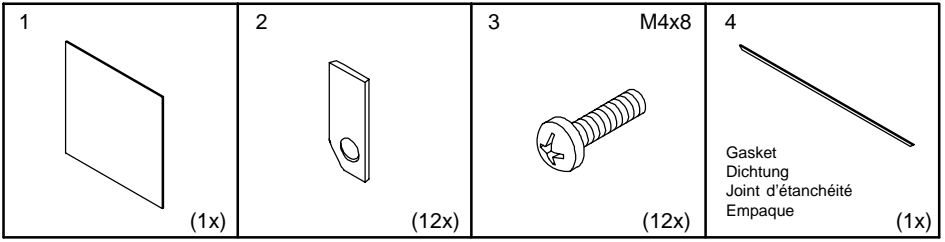
Finland

Schroff Scandinavia AB
Peräsimentie 8
03100 Nummela
358 09 222 68 00

Norway

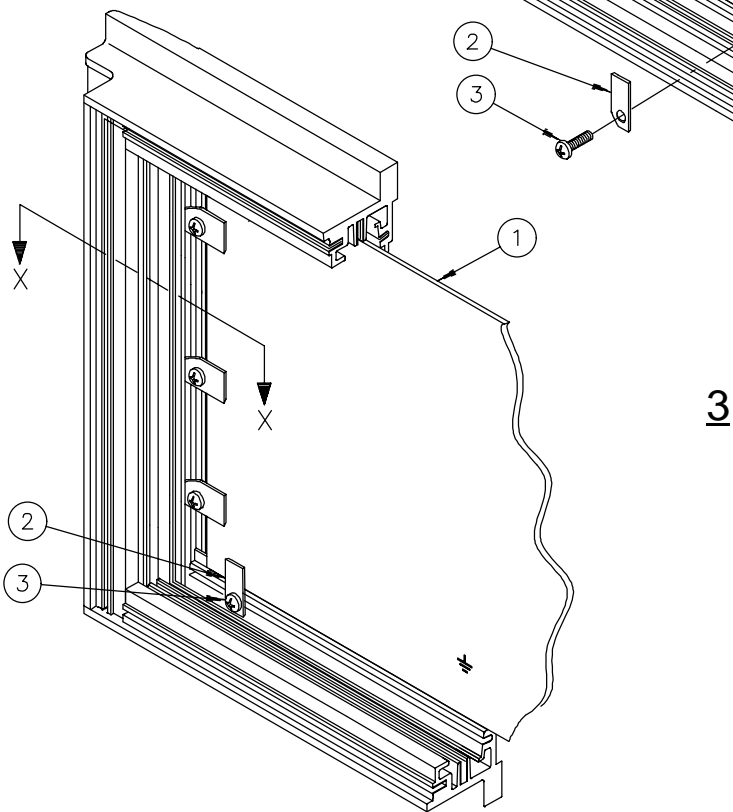
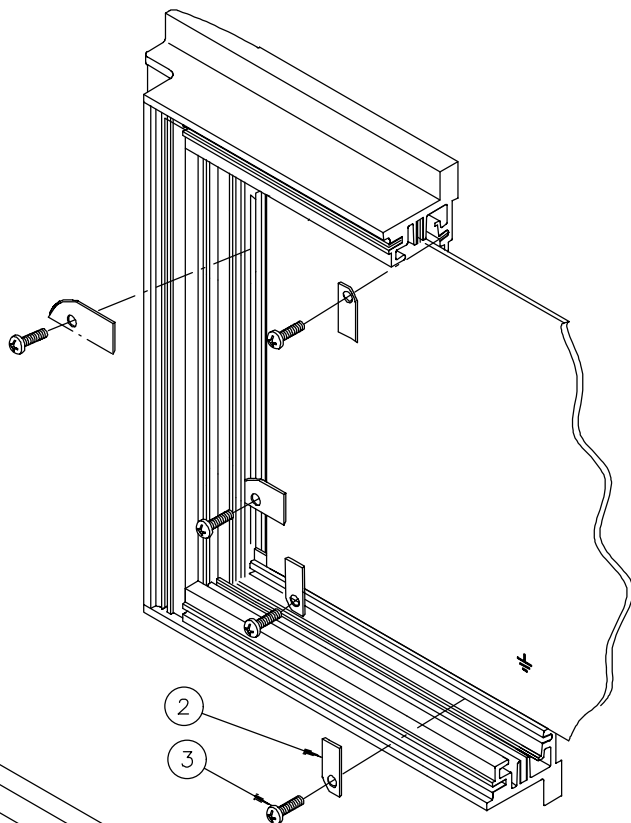
Schroff Scandinavia AB
Bjoernerudveien 24
1266 Oslo
47 022 76 33 60
Rev. B 106341

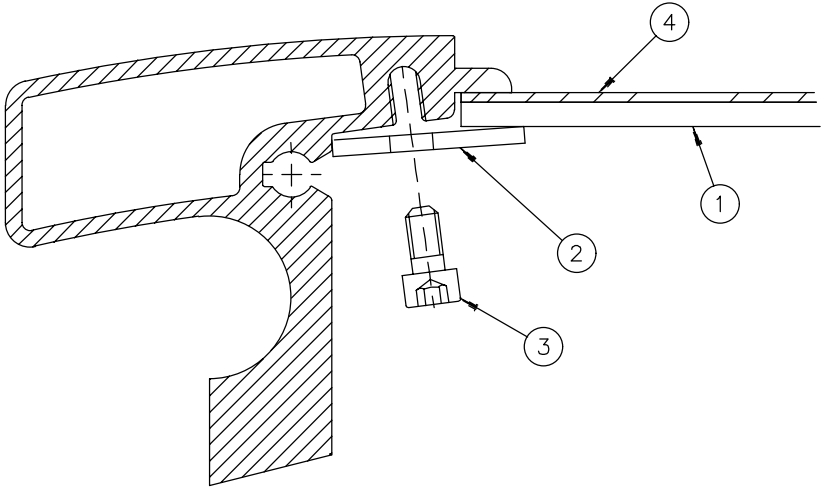




1

2





X-X