

Series 163 Power Terminal Blocks

163 Series

Replaces Cooper Bussmann®
164 Series

Specifications

Description: Power terminal block.

Dimensions: See Dimensions illustrations.

Construction: Tin-plated aluminum connectors.

Poles: 1- to 3-Poles, See Catalog Numbers table on the following page.

Wire Range: See Catalog Numbers table on the following page.

Ratings:

Volts: — 600Vac/dc

Amps: — See catalog Numbers table on the following page.

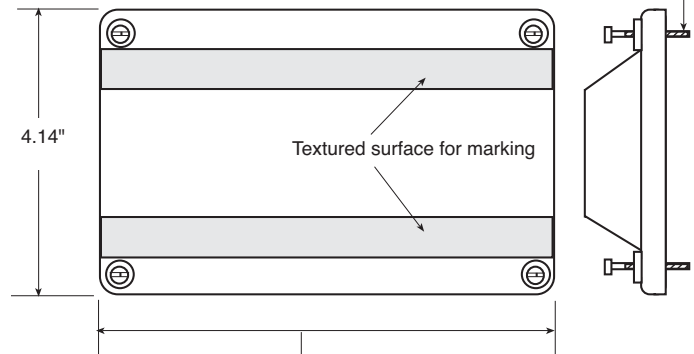
SCCR: — 10kA per UL 508A table SB4.1

Agency Information: CE, UL Recognized: Guide XCFR2, UL E221592, General Industrial Class per UL1059, CSA Certified: CSA LR15364

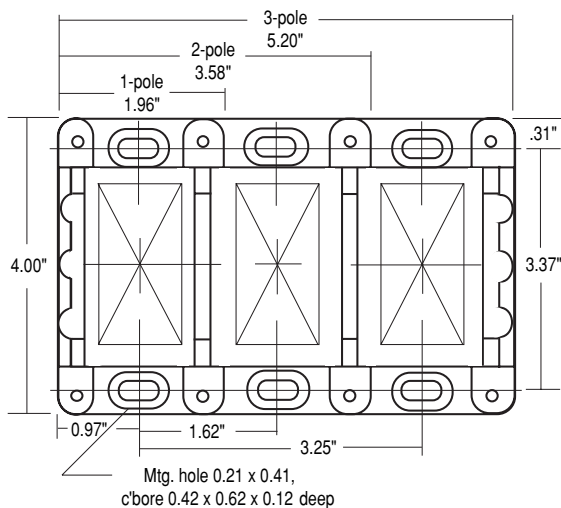
Flammability Rating: UL 94V0



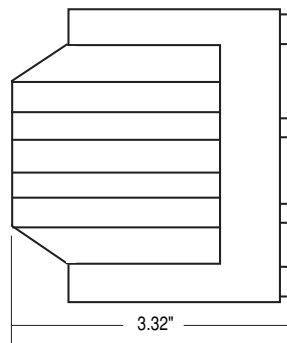
Supplied with (4) #4 thread-cutting screws assembled as shown



Dimensions



CPDB-1	(single pole)	2.10"
CPDB-2	(two pole)	3.72"
CPDB-3	(three pole)	5.34"



Series 163 Power Terminal Blocks

Catalog Numbers
Basic

Catalog Numbers	Wire Size (Poles) Lineside	(Poles) Loadside	Amps/ Pole	Line/Load
16301*	250kcmil-6 AWG Cu Only	250kcmil-6 AWG Cu Only	255	
16303	350kcmil-6 AWG Cu-Al	350kcmil-6 AWG Cu-Al	310	
16306	500kcmil-6 AWG Cu-Al	500kcmil-6 AWG Cu-Al	380	
16321	2/0-14 AWG CU, 2/0-8AI	(6)4-14 AWG Cu, 4-8 AWG AI	175	
16323	350kcmil-6 AWG Cu-Al	(6)4-14 AWG Cu, 4-12 AWG AI	310	
16325	(2)2/0-14 AWG Cu, 2/0-8 AWG AI	(6)4-14 AWG Cu, 4-8 AWG AI	350	
16330	500kcmil-6 AWG Cu-Al	(6) 2-14 AWG Cu, 2-12 AWG AI	380	
16332	350kcmil-6 AWG Cu-Al	(3) 2-14 AWG Cu, 2-8 AWG AI (2) 1/0-14 AWG Cu, 1/0-8 AWG AI	310	
16335	500kcmil-6 AWG Cu-Al	(3) 2-14 AWG Cu, 2-8 AWG AI (2) 1/0-14 AWG Cu, 1/0-8 AWG AI	380	
16370	350kcmil-6 AWG Cu-Al	(12)4-14 AWG Cu, 4-12 AWG AI	310	
16371	350kcmil-6 AWG Cu-Al	(6) 2-14 AWG Cu, 2-8 AWG AI (3) 1/0-14 AWG Cu, 1/0-8 AWG AI	310	
16372	350kcmil-6 AWG Cu-Al	(21) 10-14 AWG Cu, 10 AWG AI	310	
16373	350kcmil-6 AWG Cu-Al	(14) 10-14 AWG Cu, 10 AWG AI (3) 1/0-14 AWG Cu-Al	310	
16375	600kcmil-2 AWG Cu-Al	(12)4-14 AWG Cu, 4-12 AWG AI	420	
16376	600kcmil-2 AWG Cu-Al	(6) 2-14 AWG Cu, 2-8 AWG AI (3) 1/0-14 AWG Cu, 1/0-8 AWG AI	420	
16377	(2)300kcmil-4 AWG Cu-Al	(12)4-14 AWG Cu, 4-12 AWG AI	570	
16378	500kcmil-6 AWG Cu-Al	Stud Size (2) 1/4-20 x 1	380	
16383	500kcmil-6 AWG Cu-Al	Stud Size (1) 3/8-16 x 1	380	
16390	3/8-16 x 1 1/8 Stud Size	3/8-16 x 1 1/8 Stud Size	250	
16394	1/2-13 x 1 1/16 Stud Size	1/2-13 x 1 1/16 Stud Size	400	
16395	3/8-16 x 1 1/16 Stud Size	(2) 1/4-20 x 3/16 Stud Size	310	

*Copper connectors for use with copper wire only.

Ordering Information

163 Series blocks are available in 1-, 2- or 3-poles. To order: Basic Catalog Number + Number of poles.

Examples: 16301-1 = one-pole block
16301-3 = three-pole block

Power Terminal Blocks

Series 11675

Specifications

Description: Screw connection line side, (3) 0.250" quick-connect load side power terminal block.

Poles:

2- to 12-poles.

Wire Range:

8 – 14 AWG Cu.

Ratings:

Volts: — 250Vac/dc

Amps: — Up to 40A

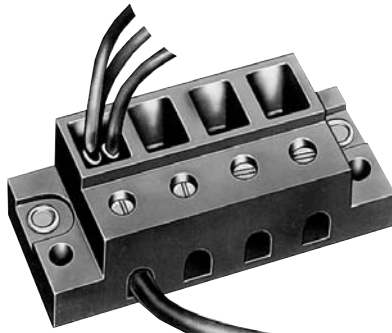
SCCR: — 10kA per UL 508A table SB4.1

Agency Information: CE, Guide XCFR2, UL E62622; CSA LR15364.

Torque Rating: 9 lb-in max.

Catalog Numbers

Catalog Numbers	Poles	Catalog Numbers	Poles
11675-2	2	11675-8	8
11675-3	3	11675-9	9
11675-4	4	11675-10	10
11675-5	5	11675-11	11
11675-6	6	11675-12	12
11675-7	7		



Series 11725

Specifications

Description: Screw connection line side, (4) 0.250" quick-connect load side power terminal block.

Poles: 2-, 3- or 4-poles.

Wire Range: 2 – 14 AWG

Cu/8 AWG Al.

Ratings:

Volts: — 600Vac/dc

Amps: — Up to 70A

SCCR: — 10kA per UL 508A table SB4.1

Agency Information: CE, UL Guide XCFR2, E62622; CSA LR15364.

Torque Rating: 45 lb-in max.

Catalog Numbers

Catalog Numbers	Poles
11725-2	2
11725-3	3
11725-4	4



Series 160, 162, 163 & 165

Specifications

Description: Power terminal blocks.

Construction: Molded black thermoplastic.

Wire Range: See Catalog

Numbers table.

Poles:

Series 160: 2-, 3- or 4-poles

Series 162, 163 and 165: 1-, 2- or 3-poles

Ratings:

Volts: — 600Vac/dc

Amps: — Up to 1520A

SCCR: — 10kA per UL 508A table SB4.1

Agency Information: CE, Guide XCFR2, UL E221592

General Industrial Class per UL 1059; CSA Class 6228-01, File 53787.

Flammability Rating: UL 94V0.

Catalog Numbers

Catalog Numbers	Line Connection	Load Connection	Connector Material & Ampacity	Agency Information
16021*	2/0-#14Cu, 2/0-#8Al	(6)#4-#14Cu, #4-#8Al	175A	UL/CSA
16023*	350kcmil-#6Cu/Al	(6)#4-#14Cu, #4-#12Al	310A	UL/CSA
16220	2/0-#14Cu, 2/0-#8Al	(4)#4-#14Cu, #4-#8Al	175A	UL/CSA
16321	2/0-#14Cu, 2/0-#8Al	(6)#4-#14Cu, #4-#8Al	175A	UL/CSA
16323	350kcmil-#6Cu/Al	(6)#4-#14Cu, #4-#12Al	310A	UL/CSA
16325	(2)2/0-#14Cu, 2/0-#8Al	(6)#4-#14Cu, #4-#8Al	350A	UL/CSA
16330	500kcmil-#6Cu/Al	(6)#2-#14Cu, #2-#12Al	380A	UL/CSA
16332	350kcmil-#6Cu/Al	(3)#2-#14Cu, #2-#8Al	310A	UL/CSA
		(2)1/0-#14Cu, 1/0-#8Al		
16335	500kcmil-#6Cu/Al	(3)#2-#14Cu, #2-#8Al	380A	UL/CSA
		(2)1/0-#14Cu, 1/0-#8Al		
16370	350kcmil-#6Cu/Al	(12)#4-#14Cu, #4-#12Al	310A	UL/CSA
16371	350kcmil-#6Cu/Al	(6)#2-#14Cu, #2-#8Al	310A	UL/CSA
		(3)1/0-#14Cu, 1/0-#8Al		
16372	350kcmil-#6Cu/Al	(21)#10-#14Cu, #10Al	310A	UL/CSA
16373	350kcmil-#6Cu/Al	(3)1/0-#14Cu/Al	310A	UL/CSA
		(14)#10-#14Cu, #10Al		
16375	600kcmil-#2Cu/Al	(12)#4-#14Cu, #4-#12Al	420A	UL/CSA
16376	600kcmil-#2Cu/Al	(6)#2-#14Cu, #2-#8Al	420A	UL/CSA
		(3)1/0-#14Cu, 1/0-#8Al		
16377	(2)300kcmil-#4Cu/Al	(12)#4-#14Cu, #4-#12Al	570A	UL/CSA
16400	(4)500kcmil-#6Cu/Al	(22)#2-#14Cu/Al	1520A	UL/CSA
16528	(2)600kcmil-#2Cu/Al	(4)3/0-#6Cu/Al	840A	UL/CSA
		(4)#4-#14Cu/Al		
16530	(2)500kcmil-#6Cu/Al	(12)#4-#14Cu/Al	760A	UL/CSA
16541	(1)500kcmil-#6Cu/Al	(21)#6-#14Cu/Al	380A	UL/CSA

*160 Series Bases have mounting holes outside the barriers. Other bases (162 through 165) have mounting holes within barriers. See Data Sheet for dimensional drawings.

How To Order

Catalog Number + # of Poles

Example: 16021 – 3 (complete part number)

Optional Covers:

160 Series: CPB160 - (pole)

162 Series: CPB162 - (pole)

163 Series: CPDB- (pole)

165 Series: CPDB165 (1 for each pole)

Data Sheets: 1117 (Series 160, 162, 165); 1148 (Series 163)

Power Terminal Blocks: Stud & Splicer

Series 162, 163 & 165

Specifications

Description: Power stud terminal blocks.
 Construction: Molded black thermoplastic.
 Poles: 1-, 2- or 3-poles.
 Wire Range: See Catalog Numbers table.
 Ratings:

Volts: — 600Vac/dc
 Amps: — Up to 760A
 SCCR: — 10kA per UL 508A table SB4.1

Agency Information: CE, Guide XCFR2, UL E221592
 General Industrial Class per UL 1059; CSA Class 6228-01, File 53787.
 Flammability Rating: UL 94V0.



Stud Block Catalog Numbers

Catalog Numbers	Line Connection (Poles)	Load Connection (Poles)	Material & Ampacity	Connector Agency Information
Connector to Stud				
16280	2/0-#14Cu-Al	¼-20 X ¾ Stud	Al-175A	UL —
16281	2/0-#14Cu-Al	¼-20 Tapped hole	Al-175A	UL —
16378	500kcmil-#6Cu-Al	(2)¼-20 x 1 Stud	Al-380A	UL CSA
16383	500kcmil-#6Cu-Al	(1)¼-16 x 1 Stud	Al-380A	UL CSA
16582	(2)500kcmil-#6Cu-Al	(2)¼-16 x 1½ Stud	Al-760A	UL CSA
Stud to Stud				
16290	¼-20 x ¾ Stud	¼-20 x ¾ Stud	Cu-175A	UL —
16390	¼-16 x 1½ Stud	¼-16 x 1½ Stud	Cu-250A	UL CSA
16394	¼-13 x 1½ Stud	¼-13 x 1½ Stud	Cu-400A	UL CSA
16395	¼-16 x 1½ Stud	(2)¼-20 x ¾ Stud	Cu-310A	UL CSA
16591	¼-16 x 1½ Stud	(2)¼-16 x 1½ Stud	Cu-400A	UL CSA
16593	¼-13 X 1 Stud	¼-13 X 1 Stud	Cu-600A	UL CSA

Nuts are not supplied with blocks

How To Order

Catalog Number + # of Poles

Example: 16000 – 3 (complete part number)

Optional Covers:

160 Series: CPB160 - (pole)
 162 Series: CPB162 - (pole)
 163 Series: CPDB - (pole)
 165 Series: CPDB165 (1 for each pole) - new style
 CPB165 - (pole) - old style

For Short-circuit current rated stud power distribution blocks, go to the Series PDB and Series 162 & 163 with high SCCR.

Series 160, 162, 163 & 165

Specifications

Description: Power splicer terminal blocks.
 Construction: Molded black thermoplastic.
 Wire Range: See Catalog Numbers table.
 Poles: Series 160: 2-, 3- or 4-poles

Series 162, 163 and 165: 1-, 2- or 3-poles

Ratings:

Volts: — 600Vac/dc
 Amps: — Up to 620A
 SCCR: — 10kA per UL 508A table SB4.1

Agency Information: CE, Guide XCFR2, UL E221592
 General Industrial Class per UL 1059; CSA Class 6228-01, File 53787.

Flammability Rating: UL 94V0.



Catalog Numbers

Catalog Numbers	Line Connection	Load Connection	Material & Ampacity	Agency Information
16000*	2/0-#8Cu/Al	2/0-#8Cu/Al	Al-175A	UL
16003*	250kcmil-#6Cu Only	250kcmil-#6Cu Only	Cu-255A	UL
16005*	350kcmil-#6Cu/Al	350kcmil-#6Cu/Al	Al-310A	UL
16200	#2-#14Cu, #2-#8Al	#2-#14Cu, #2-#8Al	Al-115A	UL
16201	1/0-#14Cu Only	1/0-#14Cu Only	Cu-150A	UL
16204	2/0-#8Cu/Al	2/0-#8Cu/Al	Al-175A	UL
16301	250kcmil-#6Cu Only	250kcmil-#6Cu Only	Cu-255A	UL/CSA
16303	350kcmil-#6Cu/Al	350kcmil-#6Cu/Al	Al-310A	UL/CSA
16306	500kcmil-#6Cu/Al	500kcmil-#6Cu/Al	Al-380A	UL/CSA
16500	(2)350kcmil-#4Cu/Al	(2)350kcmil-#4Cu/Al	Al-620A	UL/CSA
16504	(2)500kcmil-#6Cu/Al	(2)500kcmil-#6Cu/Al	Al-760A	UL/CSA

*160 Series Bases have mounting holes outside the barriers. Other bases (162 through 165) have mounting holes within barriers. See Data Sheet for dimensional drawings.

How To Order

Catalog Number + # of Poles

Example: 16000 – 3 (complete part number)

Optional Covers:

160 Series: CPB160 - (pole)
 162 Series: CPB162 - (pole)
 163 Series: CPDB - (pole)

For Short-circuit current rated and/or finger-safe splicer blocks, go to the Series PDBFS, Series PDB or Series 162 & 163 with high SCCR.