

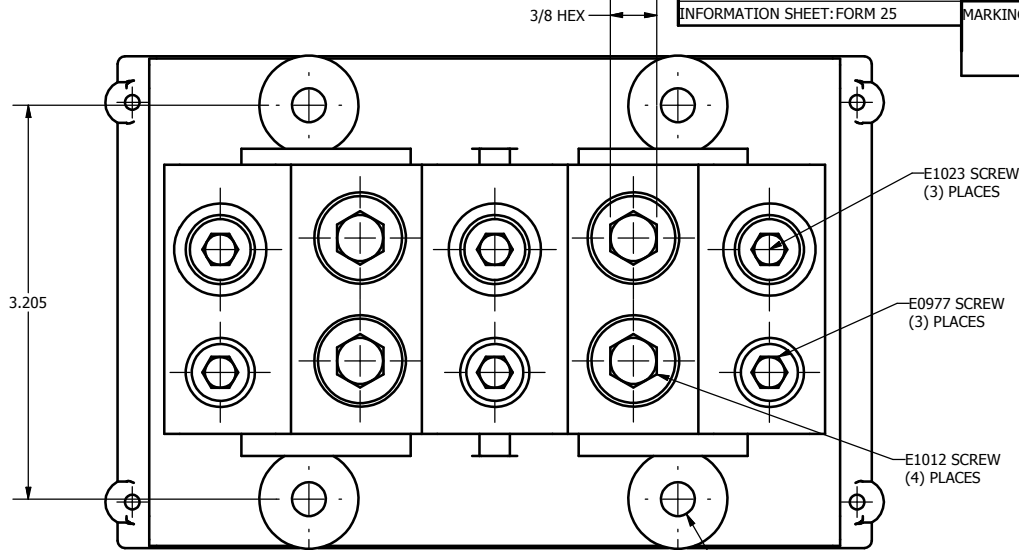
SCREW: SEE DWG
 CAT. NO.: PDBU-26-750-1
 INFORMATION SHEET: FORM 25

MATERIAL: NONE
 PLATING: NONE
 MARKING: NONE

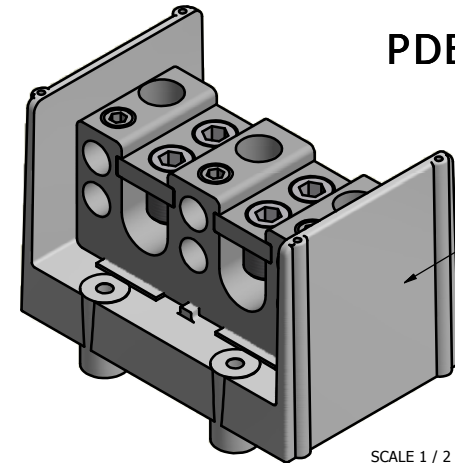
REV: H
 DRAWN BY: CLH
 DATE: 12/12/2006
 SCALE: B
 SIZE: B

ILSCO
 800-776-9775 www.ilSCO.com

DWG NO: **M2663**
 SHEET: 1 OF 1



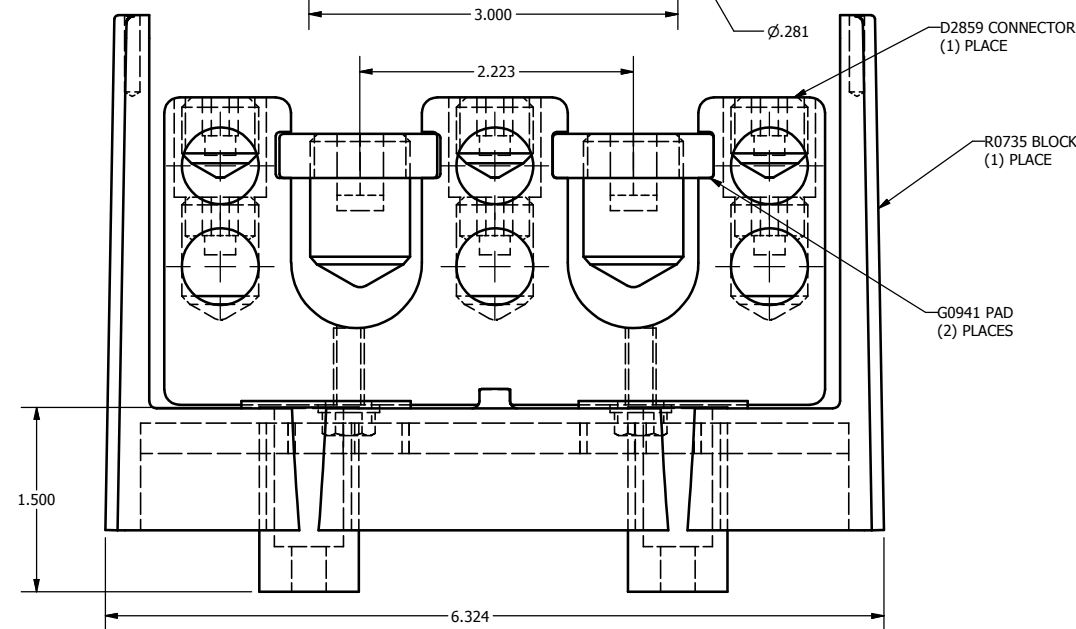
E1023 SCREW (3) PLACES
 E0977 SCREW (3) PLACES
 E1012 SCREW (4) PLACES



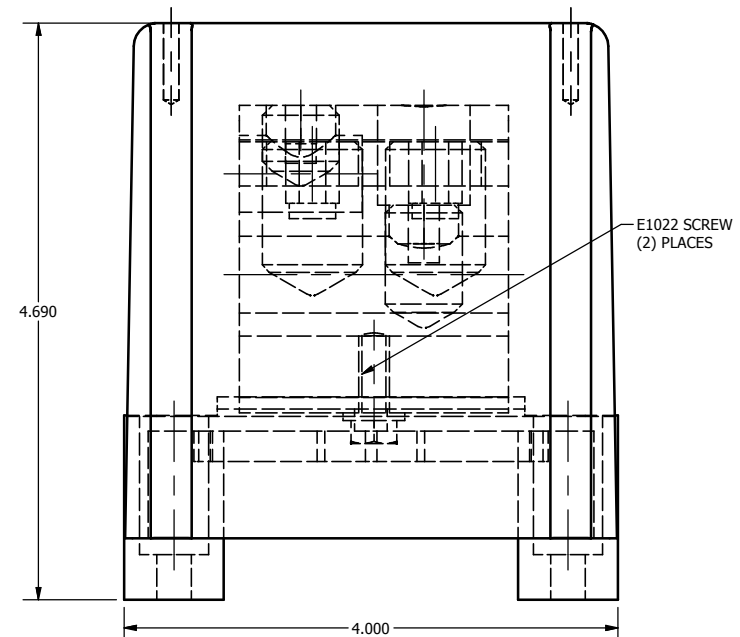
PDBU-26-750-1

LABEL CONSISTS OF:
 PDBU-26-750-1
 POWER DISTRIBUTION BLOCK
 MAIN (2)750-250, 375 IN. LBS.
 TAP: (6)250-6, 200 IN. LBS.
 950 AMPS
 1 POLE BLOCK
 600 VOLTS - AL9CU

SCALE 1 / 2



D2859 CONNECTOR (1) PLACE
 R0735 BLOCK (1) PLACE
 G0941 PAD (2) PLACES



E1022 SCREW (2) PLACES