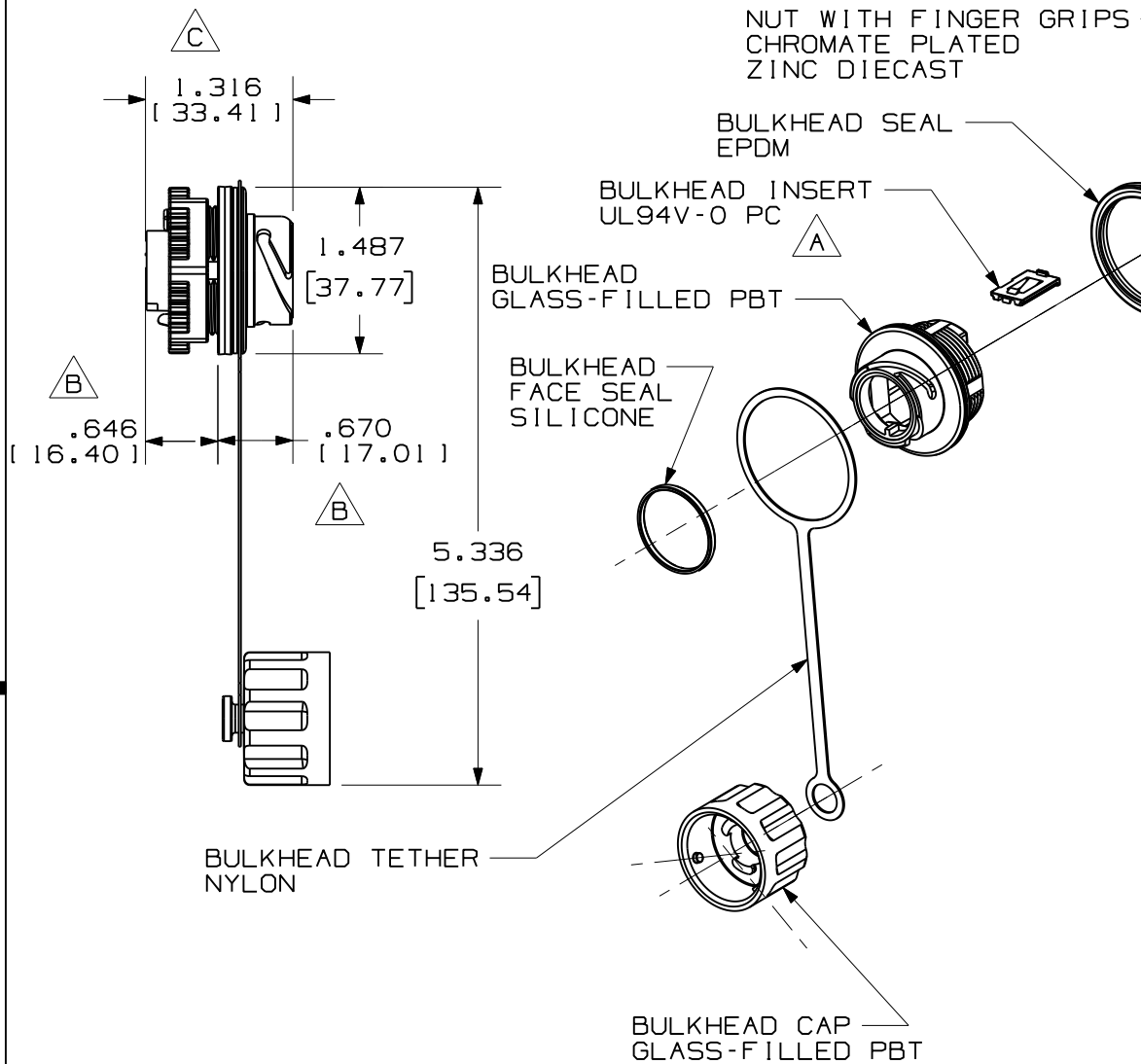


THIS COPY IS PROVIDED ON A RESTRICTED BASIS AND IS NOT TO BE USED IN ANY WAY DETRIMENTAL TO THE INTERESTS OF PANDUIT CORP.

PANDUIT P/N	WEIGHT (APPROX.)
1AEBHC5E	.0988 LB(44.8g) EA



NOTES:

1. SEE CURRENT CATALOG FOR ADDITIONAL PART NUMBER SUFFIXES TO INDICATE PACKAGE QUANTITY.
2. DIMENSIONS IN PARENTHESES ARE METRIC.
3. MOUNTS IN COMMON NEMA 1-13/64" (30.5mm) DIAMETER ENCLOSURE OPENING.
4. MOUNTS IN PANEL THICKNESS OF .035" TO .135"
5. SEALS TO IP67.
6. MODULE HOUSING: UL94V-0 PC
 MODULE CIRCUIT BOARD: GLASS REINFORCED EPOXY RESIN
 MODULE CONTACT CARRIER: UL94V-0 PC

MODEL FILENAME	MO1245AU_FULL_ASM_04.PRT	SIZE	A
DRAWING FILENAME	M02037CB_DC17_04D.PRT		

INDUSTRIALNET TX5e COUPLER WITH BULKHEAD
CUSTOMER DRAWING

<p>PANDUIT™ CORP. TINLEY PARK, ILL 60477</p>	I.I. NUMBER
	PRODUCT SPEC/ PKG SPEC
<p>THIRD ANGLE PROJECTION</p>	ASSY METHOD/ TEST METHOD
	SCALE
DRAWN BY BJN	PART NO. SEE CHART
DATE 10-27-06	DRAWING NO. 02037-17
CHK'D CEF	

REV	DATE	BY	CHK	DESCRIPTION	ECN	R	CUST	SUP	OTH
4	10-21-08	BJN	EJH	C. 1.316[33.41] WAS 1.305[33.16]	02037-17		VMB		
3	10-15-08	BJN	EJH	B. ADDED .646[16.40] & .670 [17.01] PANEL PROTRUDING DIMS	02037-17		VMB		
2	3-24-08	BJN	RJDU	A. PC WAS ABS	02037-17		VMB		
1	3-4-08	BJN	RJDU	REVISED & REDRAWN	02037-17		VMB		
R	10-27-06	BJN	CEF	RELEASED TO PRODUCTION	02037-17		CEF		