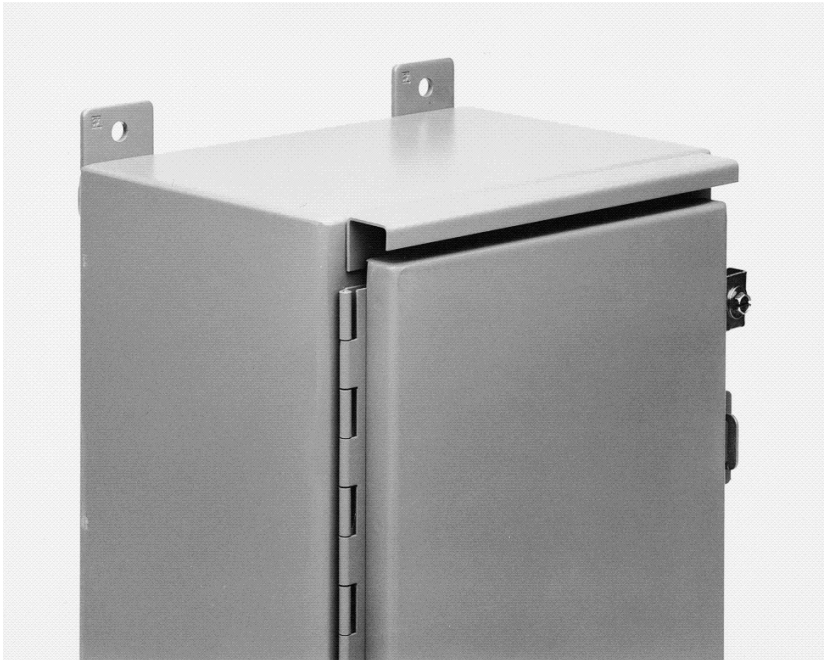
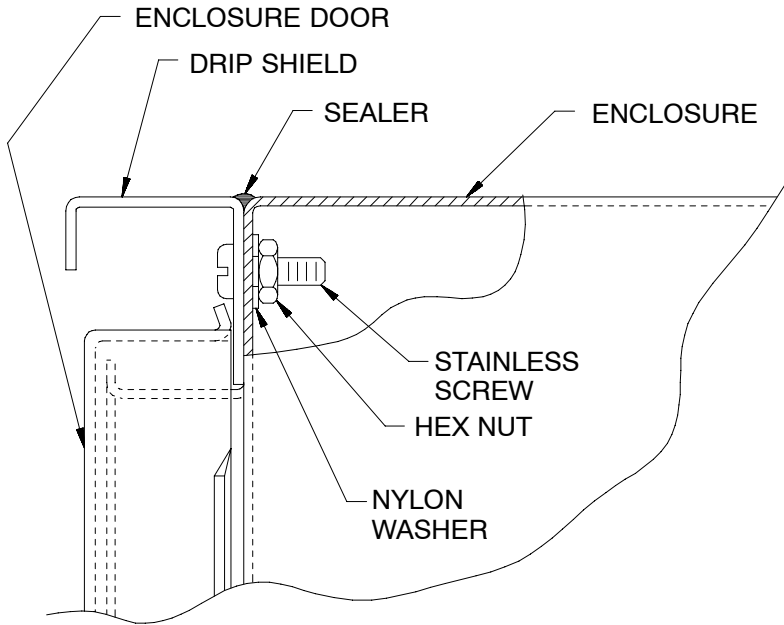


Drip Shield



Install The Drip Shield

1. Center the drip shield above the door of the enclosure. Drip shield must be positioned against door opening flange as shown below.



2. Use the drip shield to locate and drill one of the end holes first, using a 7/32 inch drill. Align drip shield and install a 10-32 screw through the shield and enclosure. Then drill the remaining holes using the drip shield as a guide. Install the remaining screws, nylon washers, and nuts as shown.

3. Apply sealer between drip shield and enclosure as shown.

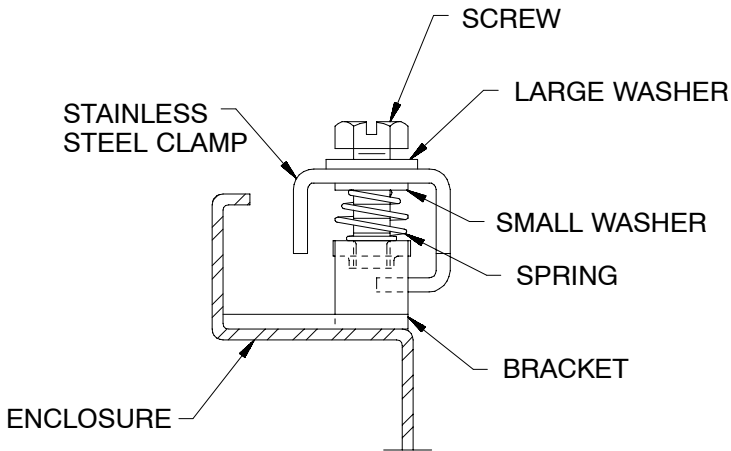
Install The Stainless Steel Hinge Pin


1. To remove the steel hinge pin, lay the enclosure on its back and use a hammer and center punch to start the pin removal. Then clamp a locking type pliers to the end of the exposed pin, and strike the pliers with the hammer to continue pin removal.

2. You may have to cut the new stainless steel hinge pin to obtain the proper length. Be sure the pin is the proper length before installing. Start the pointed end of the pin into the hinge loops, clamp the locking type pliers to the pin, and strike the pliers with the hammer to drive in the pin. Some of the long hinge pins are provided as two separate pins. In this case, drive in one pin from each end of the door.

Install Stainless Steel Door Clamps
(single door wall-mounted enclosures only)

1. Remove each clamp assembly, and install the stainless steel clamp assembly as shown below.



	⚠ WARNING
	Before any circuits are energized, all internal and external electrical and mechanical clearances must be checked to assure that all assembled and mounted equipment functions safely and properly.

This accessory maintains UL/CSA Type 12,4,4X when installed per these instructions. This accessory is covered by UL file E61997 and CSA file LR42186.



A Pentair Company

Hoffman Enclosures Inc.

2100 Hoffman Way
Anoka, MN 55303-1745
(763) 422-2211
www.hoffmanonline.com

Pentair Electronic Packaging

170 Commerce Drive
Warwick, RI 02886
(401) 732-3770
www.pentair-ep.com

Mexico

Hoffman Enclosures Mexico
Federico T. de la Chica No. 8 Piso 4 A
Circuito Comercial Plaza Satélite
Ciudad Satélite,
Naucalpan, México C.P. 53100
011-52-55-5393-8263

Canada

Hoffman-Schroff
111 Grangeway Avenue, Suite 504
Scarborough, Ontario M1H 3E9
(416) 289-2770
1-800-668-2500 (Canada only)

Germany

Schroff GmbH
Langenalber Str. 96-100
75334 Straubenhardt
49 (07082) 794-0 www.schroff.de

Great Britain

Schroff UK Ltd.
Maylands Avenue
Hemel Hempstead, Herts HP2 7DE
44 (01442) 240471 www.schroff.co.uk

Sweden

Schroff Scandinavia AB
Box 2003
12821 Skarpnäck
46 08683 61 00 www.schroff.se

France

Schroff Sas
Z.I., 4 rue du Marais
67660 Betschdorf
33 03 88 90 64 90 www.schroff.fr

Italy

Schroff srl
Viale Milano, 119
21013 Gallarate (Varese)
39 0331 79 40 03

Singapore

Hoffman-Schroff Pte. Ltd.
#01-68/71 German Centre
25 International Business Park
Singapore 609916
65 5 62-78 90

Japan

Schroff K.K.
Nisso No. 13 Bldg. 4F
2-5-1 Shinyokohama
Kohoku-Ku, Yokohama shi
Kanagawa 222-0033
81 (045) 476-02 81

Finland

Schroff Scandinavia AB
Peräsimentie 8
03100 Nummela
358 09 222 68 00

Norway

Schroff Scandinavia AB
Bjoernerudveien 24
1266 Oslo
47 022 76 33 60