



Centium T5HO

CENTIUM ELE BALLAST (4) F54T5HO 120-277V

No matter what the conditions require, operating at a variety of line voltages between 120V to 480V, whether located in high ambient temperature environments (requiring a 90° C rating) or not, our family of Philips Advance Centium ballasts are ideal for a wide variety of applications.

Product data

• General Characteristics

| | |
|---------------------------|------------------------|
| Lamp Type | F54T5/HO |
| Number of Lamps | 3/4 piece |
| Input Voltage | 120-277 V |
| Line Frequency | 50/60 Hz |
| Ballast Type | Electronic Fluorescent |
| Base Model | ICN4S5490C2LSG |
| Housing | G |
| Housing Dimensions | 16.7" x 1.7" x 1.18" |
| Housing Material | Metal |
| Suitable for Outdoor use? | Yes |
| Starting Method | Programmed Start |
| Family Name | Centium |

• Operating Characteristics

| | |
|---------------------------|-----------|
| Automatic restart | Yes |
| Ignition time | 1.5 s |
| Input Power Gear | 240-234 W |
| Ballast factor | 1 - |
| Ballast Efficacy Factor | 0.42 - |
| Power Factor | 0.98 |
| Lamp Current Crest Factor | 1.7 - |
| Sound Rating | A |
| Max THD | 10 % |

• Wiring Characteristics

| | |
|------------------------|---------------|
| Color input terminals | No terminals |
| Color output terminals | No terminals |
| Connector type | No connector |
| Wire Striplength | 0.50/0.375 mm |
| Lamp Connection | Series |
| Wire Gauge | 18AWG |

| | |
|---------------------------------|--------------------|
| Wire Length by Color | See data sheet |
| Wire Type | Solid |
| Allowed Wiring Config(Remote) | Yes |
| Allowed Wiring Config(Tandem) | Yes |
| Allowed Wiring Config(Through) | Yes |
| Max Dist. Ball to Lamp(Remote) | 20' |
| Max Dist. Ball to Lamp(Tandem) | Blue & Brown = 20' |
| Max Dist. Ball to Lamp(Through) | Blue & Brown = 20' |

• System Chars on driver level

| | |
|------------------|-----|
| Rated Lamp Watts | 54W |
|------------------|-----|

• Temperature Characteristics

| | |
|----------------|------|
| T-case maximum | 90 C |
|----------------|------|

• Product Dimensions

| | |
|-----------|----------|
| Length A1 | 16.70 in |
| Length A2 | 16.34 in |
| Width B1 | 1.70 in |
| Height C1 | 1.18 in |

• Approval & Application Chars

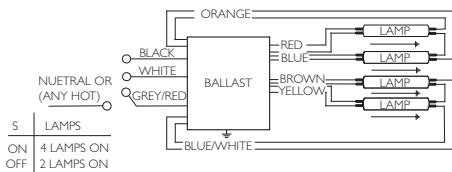
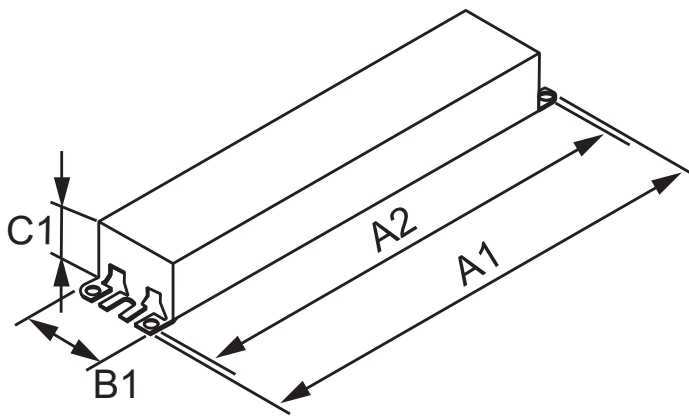
| | |
|-------------------|------------------|
| EMC Immunity | FCC Non-Consumer |
| Approbation Marks | UL, CSA, RoHS |
| UL Listed | Yes |
| CSA certificate | Yes |

| | |
|------------------|-----|
| CEC Listing | Yes |
| CEE Rated | No |
| Circle E logo | No |
| CSA E | No |
| cUL certificate | No |
| DOE | No |
| Energy Star | No |
| FIDE Certificate | No |
| NEMA Premium | No |
| NOM certificate | Yes |
| RoHS Compliant | Yes |
| SASO Certificate | No |
| UL Recognized | No |

• Product Data

| | |
|--------------------|----------------------------------|
| Product number | ICN4S5490C2LSG35M |
| Full product name | ELE BALLAST (4) F54T5HO 120-277V |
| Short product name | ELE BALLAST (4) F54T5HO 120-277V |
| Pieces per Sku | 1 |
| Skus/Case | 6 |
| Bar code on pack | 781087047866 |
| Bar code on case | 50781087047830 |
| Logistics code(s) | 913710268502 |
| eop_net_weight_pp | 1.203 kg |

Dimensional drawing



CENTIUM ELE BALLAST (4) F54T5HO 120-277V

| Product | A1 (Norm) | A2 (Norm) | A3 (Norm) | B1 (Norm) | C1 (Norm) |
|----------------------------------|-----------|-----------|-----------|-----------|-----------|
| ELE BALLAST (4) F54T5HO 120-277V | 16.70 | 16.34 | - | 1.70 | 1.18 |



© 2014 Koninklijke Philips N.V. (Royal Philips)
All rights reserved.

Specifications are subject to change without notice. Trademarks are the property of Koninklijke Philips N.V. (Royal Philips) or their respective owners.

www.philips.com/lighting

2014, September 30
data subject to change